

REV	DESCRIPTION	BY	CHK'D	APP'D	DATE

THIS DRAWING IS A PRIVATE AND CONFIDENTIAL COMMUNICATION AND THE PROPERTY OF ESSCO. IT MUST NOT BE COPIED, ALTERED, USED FOR MANUFACTURING OR COMMUNICATED TO ANY OTHER PERSON OR COMPANY WITHOUT CONSENT OF ESSCO.

**ESSCO**  
ELECTRIC SERVICE & SALES  
A Division of Tencarva Machinery Co.

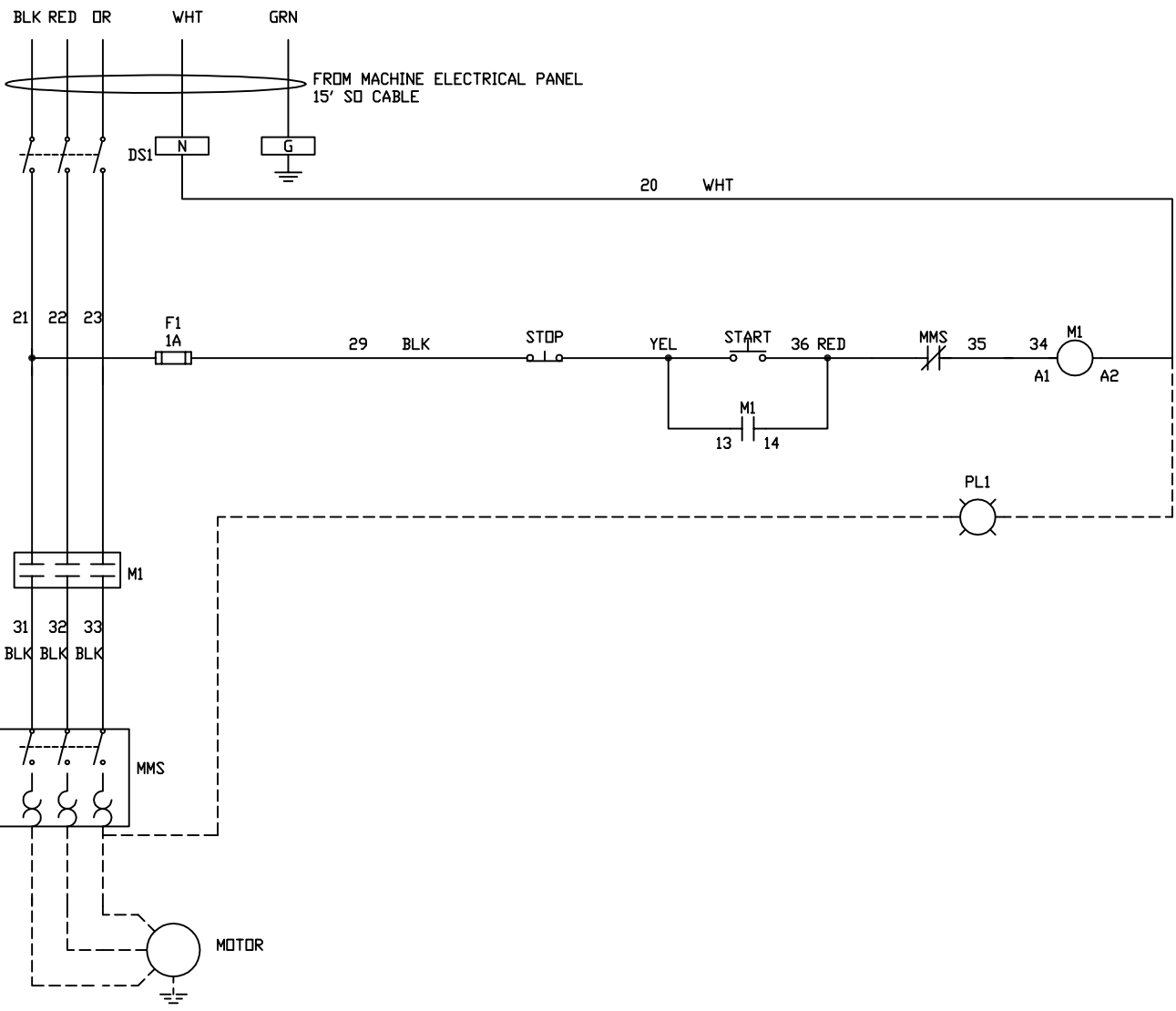
1800 Sullivan St., Greensboro, NC 27405  
Tel: (336) 275-5321 Fax: (336) 275-5325  
Web site: www.esscoinc.com

TITLE STARTER PANEL  
PANEL LAYOUT

DRAWN BY: RM 3/21/11  
CHECKED BY:   
SHIPPED BY:   
SCALE 1:2  
DRAWING NUMBER Q110154A

REV. A  
LAST WIRE

0101  
0102  
0103  
0104  
0105  
0106  
0107  
0108  
0109  
0110  
0111  
0112  
0113  
0114  
0115  
0116  
0117  
0118  
0119  
0120  
0121  
0122  
0123  
0124  
0125  
0126  
0127  
0128  
0129  
0130  
0131  
0132  
0133  
0134  
0135  
0136  
0137  
0138  
0139  
0140  
0141  
0142  
0143  
0144  
0145  
0146  
0147  
0148



0149  
0150  
0151  
0152  
0153  
0154  
0155  
0156  
0157  
0158  
0159  
0160  
0161  
0162  
0163  
0164  
0165  
0166  
0167  
0168  
0169  
0170  
0171  
0172  
0173  
0174  
0175  
0176  
0177  
0178  
0179  
0180  
0181  
0182  
0183  
0184  
0185  
0186  
0187  
0188  
0189  
0190  
0191  
0192  
0193  
0194  
0195  
0196

REV	DESCRIPTION	BY	CHK'D	APP'D	DATE

THIS DRAWING IS A PRIVATE AND CONFIDENTIAL COMMUNICATION AND THE PROPERTY OF ESSCO. IT MUST NOT BE COPIED, ALTERED, USED FOR MANUFACTURING OR COMMUNICATED TO ANY OTHER PERSON OR COMPANY WITHOUT CONSENT OF ESSCO.



1800 Sullivan St., Greensboro, NC 27405  
Tel: (336) 275-5321 Fax: (336) 275-5325  
Web site: www.esscoinc.com

DRAWN BY: RM	3/21/11
CHECKED BY:	
SHIPPED BY:	

TITLE	FILTER STARTER PANEL ELECTRICAL DIAGRAM	SCALE	NTS	DRAWING NUMBER	Q110154B	REV.	A	LAST WIRE	
-------	--------------------------------------------	-------	-----	----------------	----------	------	---	-----------	--