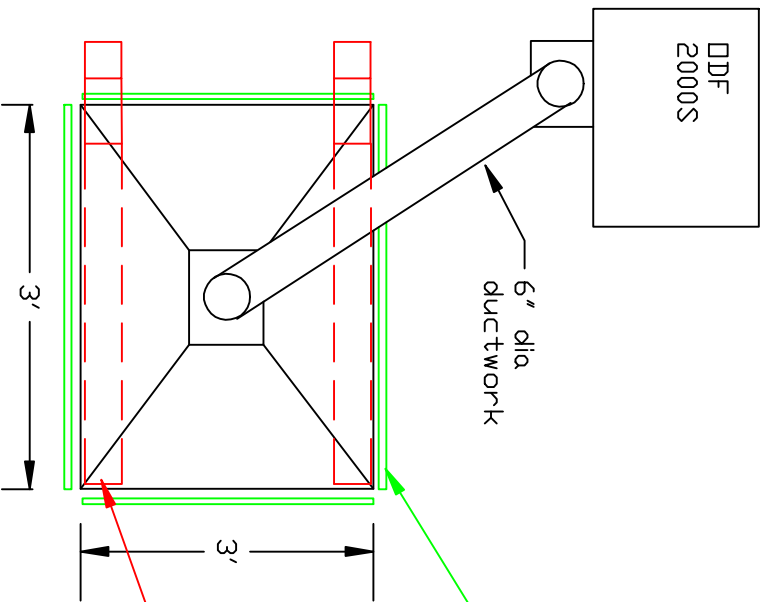
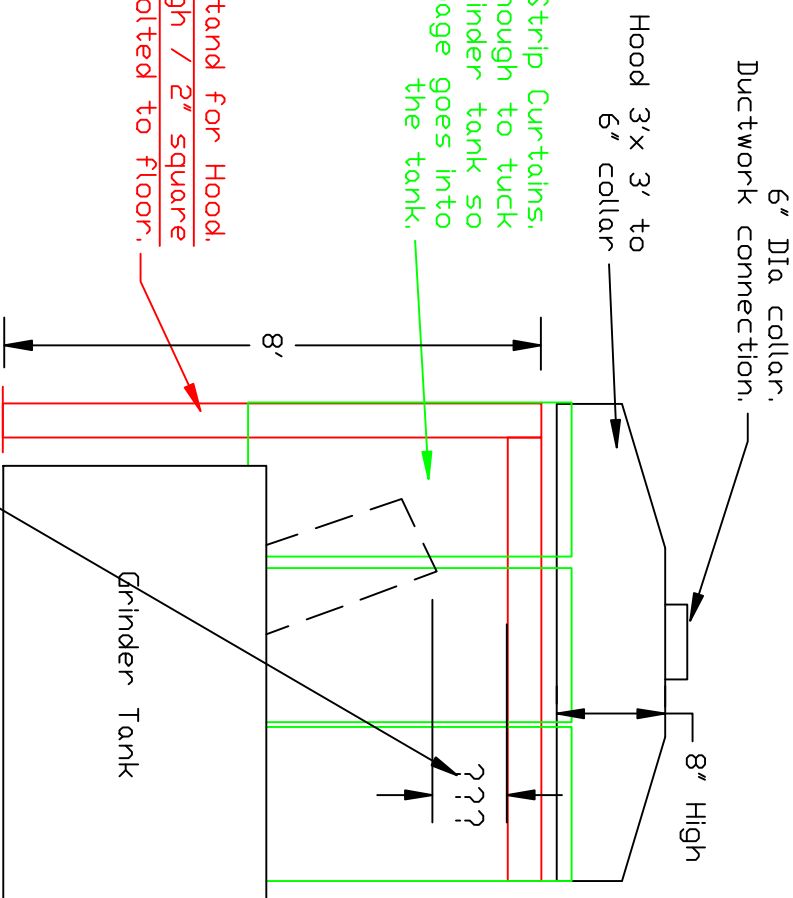


# Hood Layout for Grinder

Plan View




Side View



What is the distance needed to clear the motor and be able to service it?

Vinyl Strip Curtains. Long enough to tuck into grinder tank so drippage goes into the tank.

Stand for Hood, 8' High / 2" square tubing, Bolted to floor.

Avani Environmental 95 Cypress Drive 27596 Raleighville, NC # 919-570-2862 F# 919-570-2863	
	
Project:	Accellent
Drawing:	Hood detail
Date:	4/2/11
Drawn by:	RAV
Sheet No:	