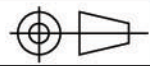


DO NOT SCALE

IF IN DOUBT ASK



Revisions

Rev	Description	Date	Approved
-----	-------------	------	----------

Hanging Arm 6"*7'

Diameter: 6"

Length: 7'

Weight: 42.5 lbs (net)

Arm Construction: Two galvanized steel tubes, three pieces of flex hose at joints, aluminum hood, heavy gauge steel swivel base, and support spring.

Arm Adjustment: Externally supported, adjustments are quickly done at the joints.

Hood: 13" diameter round aluminum hood.

Damper: Internal with external adjustment.

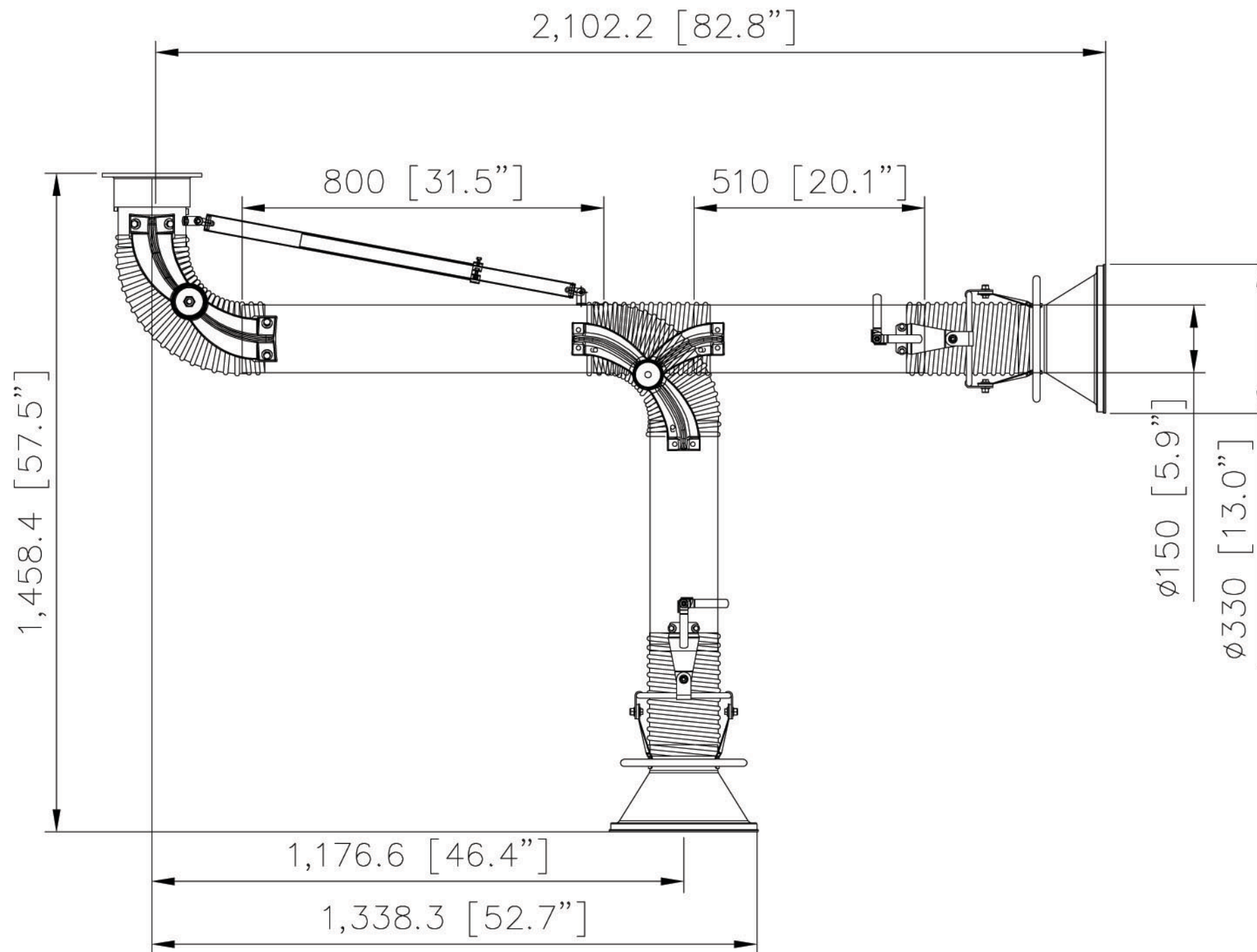
Finish: Powder coated.

Hose: Rated at 200°F

Accessories: Mounting bracket and light kit.

Mounting Bracket:

Warranty: Limited two years from date of purchase.



Packing Size:	133.7 x 87 x 37.5 cm 52.7 x 34.3 x 14.8 inch
N.W. / G.W.:	19.3 / 24.9 kgs 42.5 / 54.9 lbs

Avani Environmental Intl, Inc.
95 Cypress Drive
Youngsville, NC 27596
sales@avanienvironmental.com

Sales Department
(919) 570-2862

Drawn by:	Date	Name	Part Number:	Title:
Checked by:	XX-XX-XX	XXXXX	PART NO.	Arm 1620
				Size A
				Scale 1 = xx
				Drawing Number: 2009.12.18