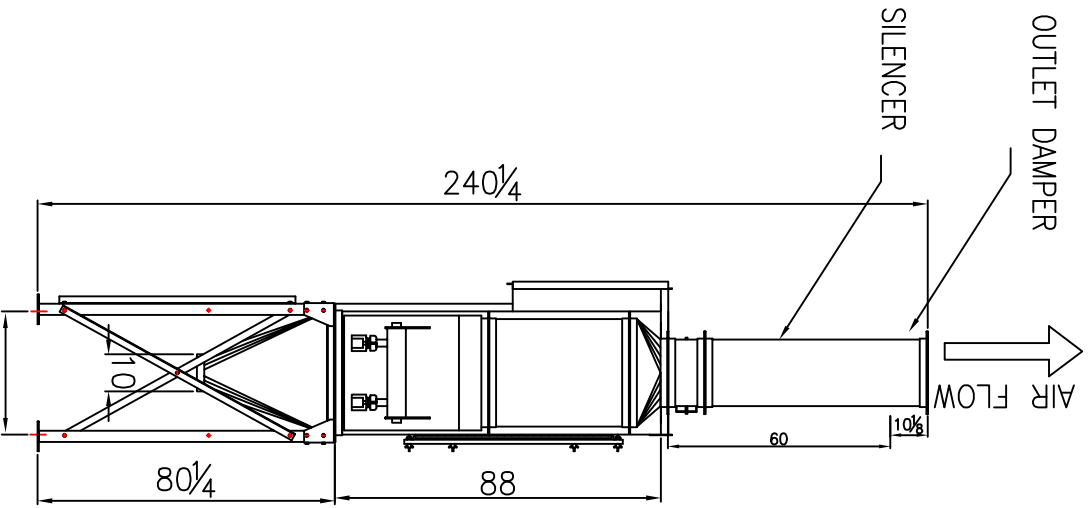
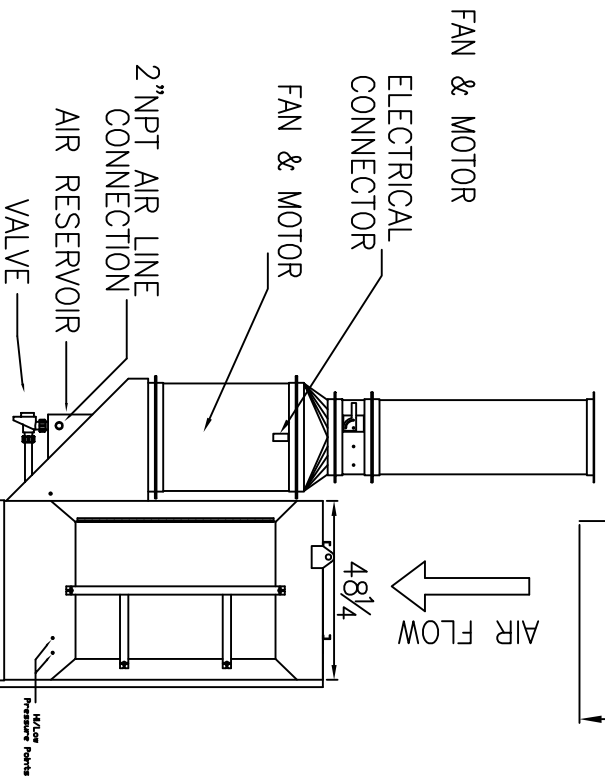
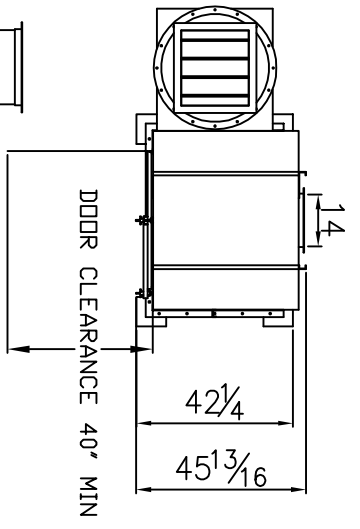


Amtech, LC claims proprietary rights to the material disclosed hereon. This drawing and/or technical information is the property of Amtech, LC and is issued in confidence for use only as authorized, and may not be reproduced or described or shown to others without written permission from Amtech, LC



3 3/4 ANCHOR POINTS CTR TO CTR



4 8/16 ANCHOR POINTS CTR TO CTR

AMTECH
 127 FRANKLIN ROAD
 RUSSELLVILLE, KY.
 PHONE 270-726-9654
 FAX # 270-726-4692

AT-6
 AIR FILTRATION UNIT

OUTLINE DRAWING

DRAWING#	
DATE:	8/31/07
REVISION	
DRAWN BY:	W.R.COX
SCALE:	
MAT'L:	MILD STEEL
GA/TYPE	MISC.
SHIPPING WT.	

DESIGN TYPE
 SIDE INLET
 55 GAL. DRUM