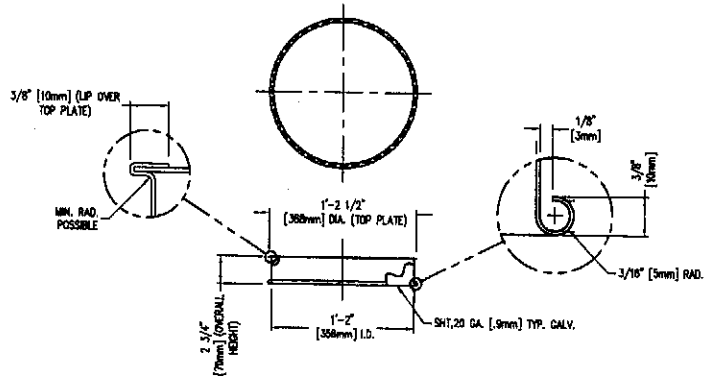
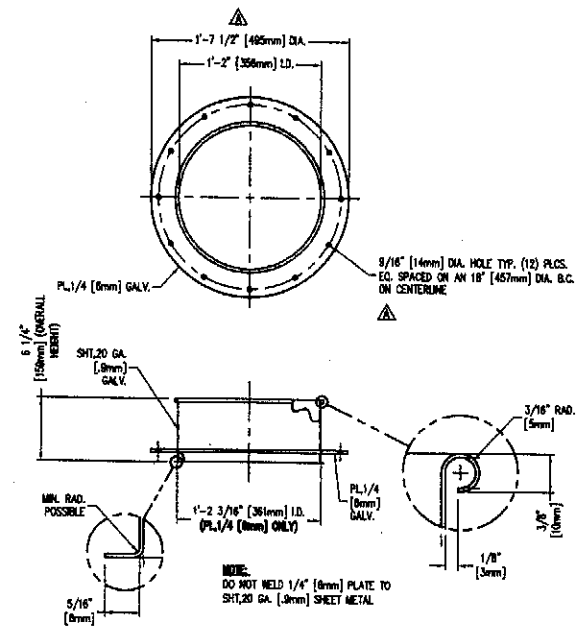


BOTTOM OF 20GA. SHIT.
(P/N 822-0839-200)

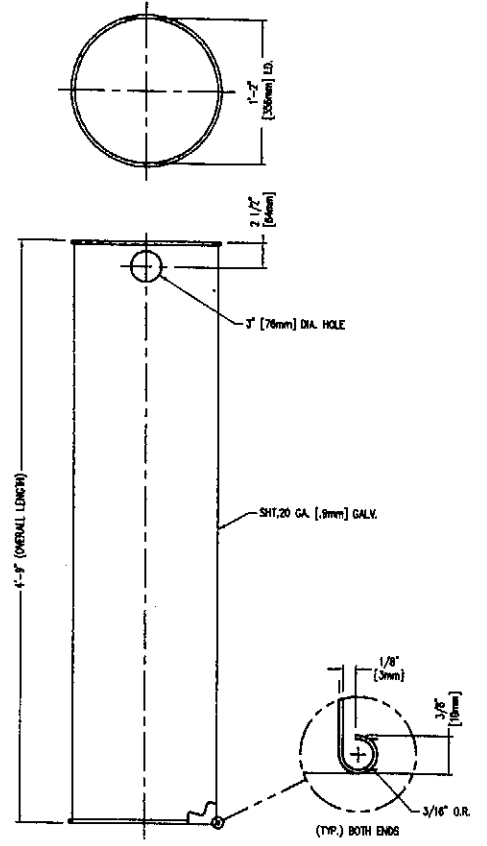
P/N 822-0839



P/N 822-0839-300
WEIGHT: 4g



P/N 822-0839-200
WEIGHT: 15g



P/N 822-0839-100
WEIGHT: 27g

QTY.	REV. NO.	PART NO.	DESCRIPTION	ISSUING NUMBER
2	4		DISPOSAL DEBRIS CLOSING RING, 1 1/4" (305mm) DIA.	
1	3	822-0839-300	END CAP	MAP 1-16-03
1	2	822-0839-200	MOUNTING BASE	MAP 1-16-03
1	1	822-0839-100	MAIN BODY	ERJ 6-29-83 ERJ 6-29-83 ATA 6-29-83 P
			BHA ACUSTIC HORN SOUND SUPPRESSION HOUSING	
			715 MOUNTING TUBE 823-0186 & RING 823-0184	
			WEIGHT: 46g	
			REV. 1 OF 1	
			822-0839	