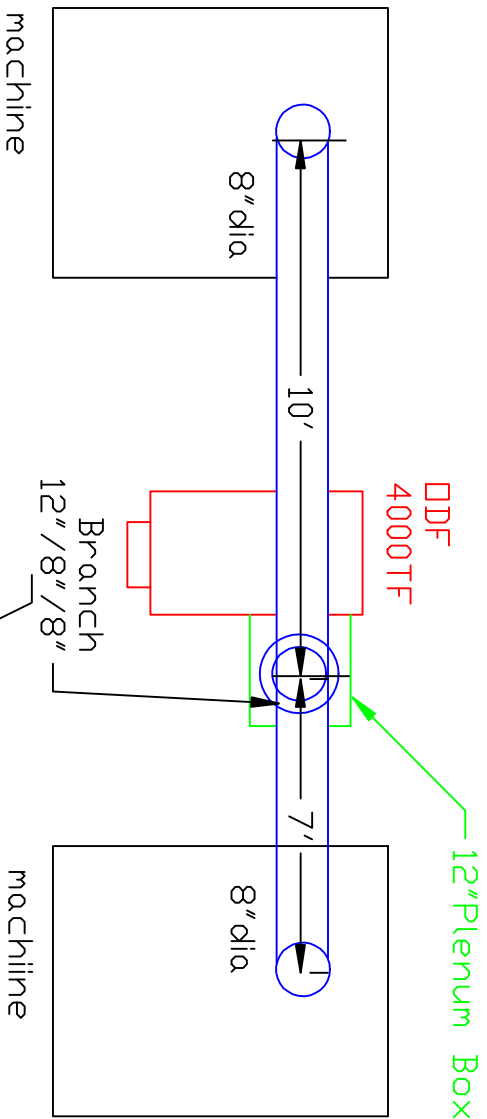
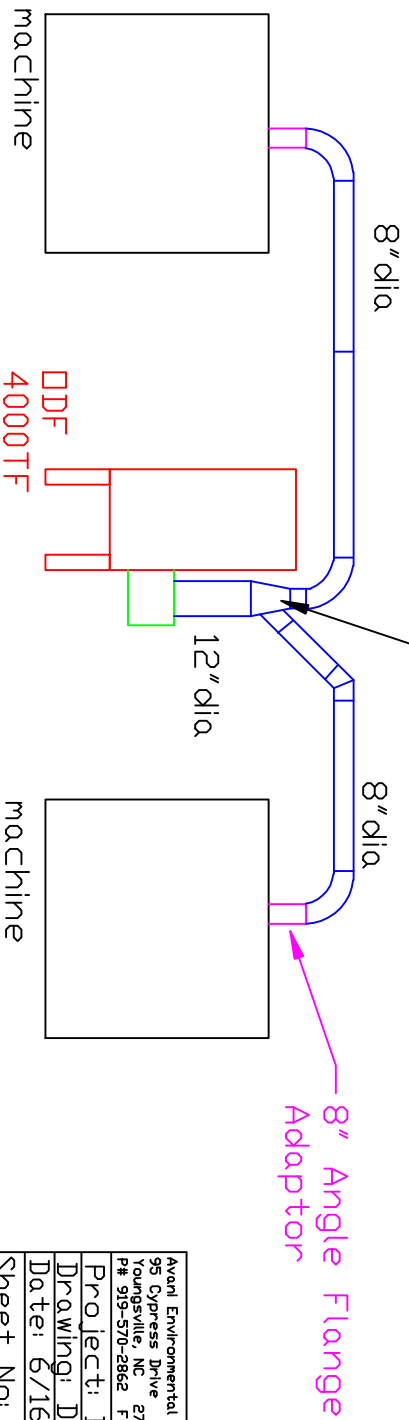


Absolent Ductwork Layout

Plan View



Side View



Avanti Environmental
 95 Cypress Drive 27596
 Raleighville, NC
 P# 919-570-2862 F# 919-570-2863
Avani
 Project: Bowtech
 Drawing: Ductwork layout
 Date: 6/16/11 Drawn by: RAV
 Sheet No: