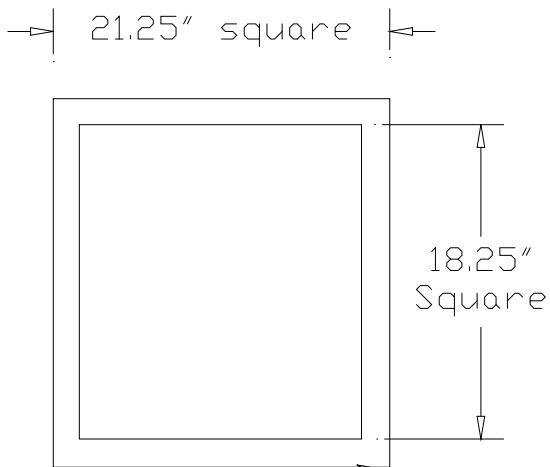


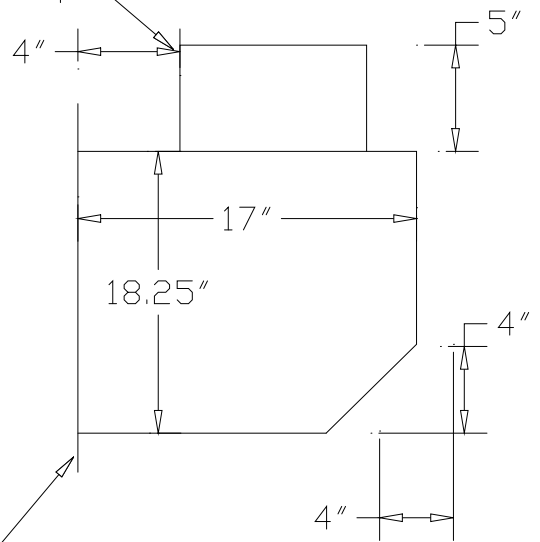
Oskar Modular MF-1 Inlet Plenum Box

Plan View



12" QF Nipple
welded on top

Side View



1.5" Angle iron
flange

Industrial Air Quality	
102 AG DRIVE	
Youngsville, NC 27596	
P# 919-562-7181 F# 919-562-7182	
Project: Snadvik	
Drawing: MF Inlet Box	
Date: 7/10/07	Drawn by: RAV
Revision Date:	

