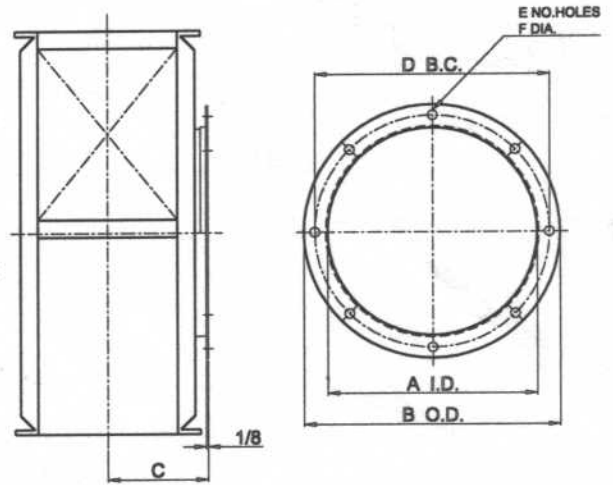


FAN SIZE	FLANGED INLET-DIMENSIONS-INCHES					
	A I.D.	B O.D.	C ± 1/4	D B.C. ± 3/32	E	F DIA.
12 1/4	16 1/16	19 1/16	6 13/16	17 11/16	8	5/8
13 1/2	17 5/16	20 5/16	7 1/4	19 1/16	8	5/8
15	18 13/16	21 13/16	7 7/8	20 9/16	8	5/8
16 1/2	20 5/16	23 5/16	8 7/16	22 1/16	8	5/8
18 1/4	23 5/16	26 5/16	9 5/32	25 1/16	8	5/8
20	25 5/16	29 5/16	10 1/4	27 9/16	8	5/8
22 1/4	27 5/16	31 5/16	11 3/16	29 9/16	16	5/8
24 1/2	29 13/16	33 13/16	12 1/16	32 1/16	16	5/8
27	33 5/16	37 5/16	13	35 9/16	16	5/8
30	36 5/16	40 5/16	14	38 9/16	16	5/8
33	39 5/16	43 5/16	15 1/8	41 9/16	16	5/8
36 1/2	42 13/16	46 13/16	16 1/2	45 1/16	16	5/8
40 1/4	46 13/16	51 5/16	18 5/8	49 9/16	16	5/8
44 1/2	51 5/16	55 13/16	20 1/4	54 1/16	16	5/8
49	55 13/16	60 5/16	21 5/8	58 9/16	24	5/8

FLANGED INLET



ABOVE CENTERLINE
TYP. SIZES
12 1/4-33

BELOW CENTERLINE
TYP. SIZES
36 1/2-44 1/2

SIZES 12 1/4 THRU 36 1/2 FLANGE HOLES ARE ON CENTERLINE.
SIZES 40 1/4 AND 44 1/2 FLANGE HOLES STRADDLE CENTERLINE.

NOTES:

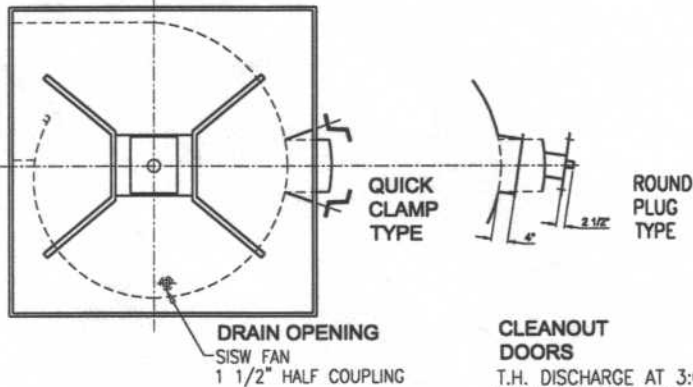
SIZES 12 1/4 - 33: USE A ROLLED, PUNCHED ANGLE RING BOLTED TO THE FAN STANDARD SLIP INLET COLLAR.

SIZES 36 1/2 - 44 1/2: USE A ROLLED CHANNEL, PUNCHED AND BOLTED TO THE FAN INLET IN LIEU OF THE STANDARD SLIP INLET COLLAR.

CLEANOUT DOOR & HOUSING DRAIN

CLEANOUT DOOR LOCATIONS MUST BE SPECIFIED ON ORDER BY "O'CLOCK" POSITION. THESE LOCATIONS ARE AS VIEWED FROM DRIVE SIDE AND DOORS ARE SYMMETRICAL ON O'CLOCK CENTERLINE. SEE RESTRICTIONS BELOW.

9T/9S ADJUSTABLE MOTOR BASES IMPOSE OBVIOUS DOOR POSITION RESTRICTIONS TO BE CONSIDERED WHEN SPECIFYING LOCATIONS ON ORDERS.



DRAIN OPENING IS LOCATED AT THE LOWEST POINT ON THE SCROLL, ON THE FAN DRIVE SIDE

CLEANOUT DOORS
T.H. DISCHARGE AT 3:00 O'CLOCK
DOORS POSITION SHOWN
(C.C.W. ROTATION)

FAN SIZE	CLEANOUT DOOR	
	CLAMP TYPE	PLUG TYPE
12 1/4	4 x 8	NA
13 1/2	6 x 10	NA
15	6 x 10	8
16 1/2	10 x 10	8
18 1/4	10 x 10	8
20	10 x 10	12
22 1/4	10 x 10	12
24 1/2	10 x 10	12
27	10 x 10	12
30	16 x 16	18
33	16 x 16	18
36 1/2	22 x 22	22
40 1/4	22 x 22	22
44 1/2	22 x 22	22
49	22 x 22	22

NOTES:

A. INLET FLANGES ARE FURNISHED PUNCHED AS STANDARD

05-0141



SERIES 6000 DESIGN 6100
ACCESSORIES
SHELDONS ENGINEERING

www.sheldonsengineering.com
sales@sheldonsengineering.com

DWG. NO. CD-007843-3