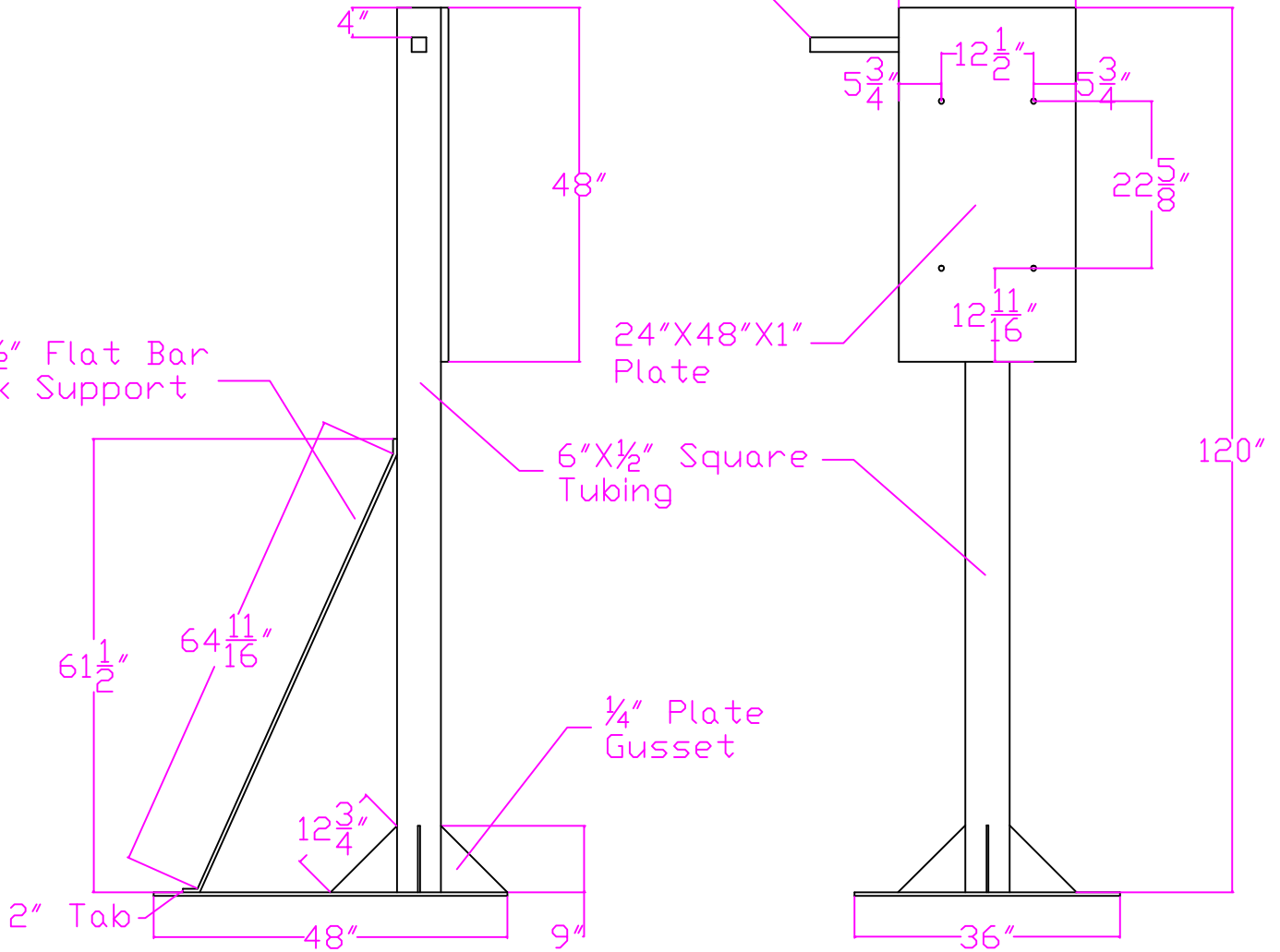


2" Square Tubing For  
Side Support  
(cut & Weld To Column  
on Site)

2"x1/2" Flat Bar  
Back Support



Oskar Air Products  
www.oskarsales.com

95 Cypress Drive  
Youngsville, NC 27596  
Corp: (919) 579-2862

Brian Bolvert  
Fax: (919) 570-2863  
bbolvert@oskarsales.com

Drawn by:	Date	Name
7/10/09	Brian Bolvert	
Checked by:		

Part Number:  
Boom Stands

Title:  
Roscoe Steel Missoula

This drawing is confidential and is the exclusive property of Oskar Air Products. No unauthorized use/copy or disclosure is to be made and it is returned whenever required.

Size  
A

Scale  
NTS

Drawing Number:  
RS-02

Your Solution to Cleaner Air