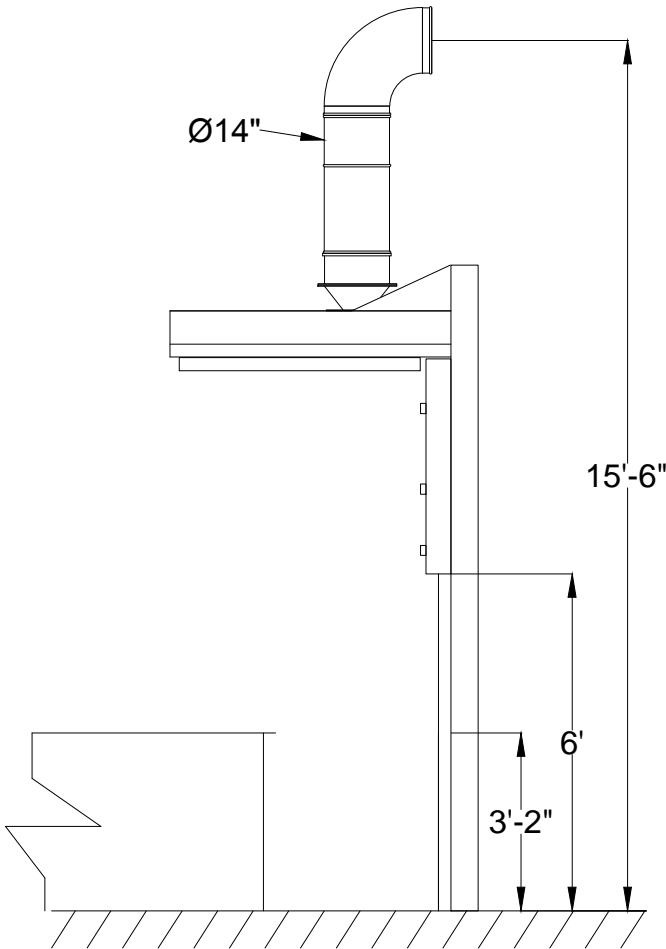
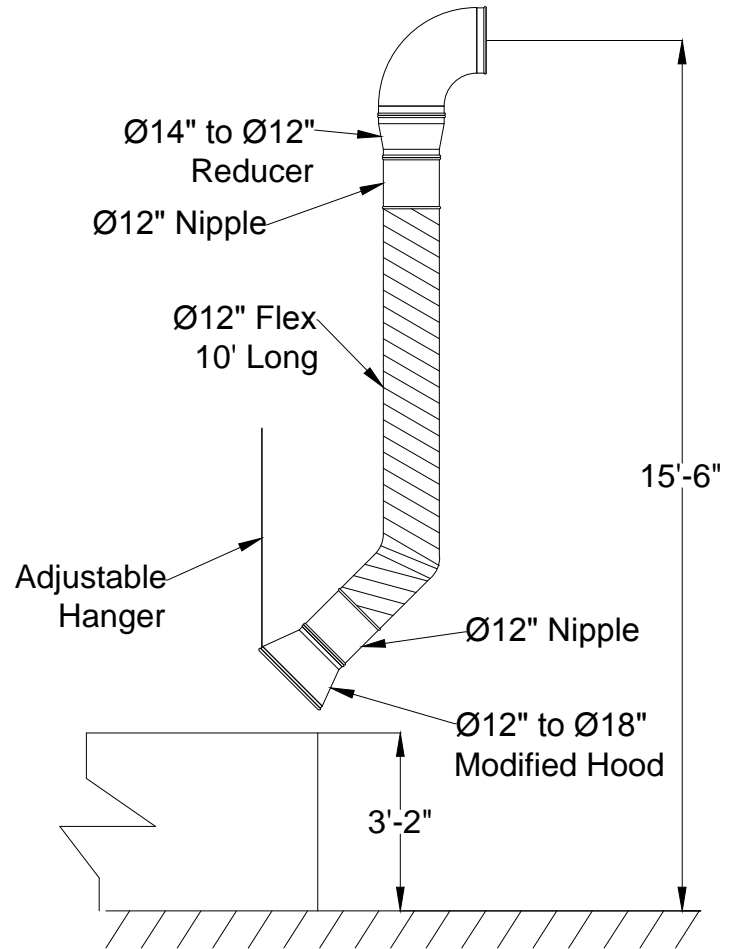


# Performance Contractors Arm Rework



Old Design



New Design

Avani Environmental Intl.  
95 Cypress Drive  
Youngsville, NC 27596  
P# 919-570-2862 F# 919-570-2863

**Avani**

Project: Performance Contractors

Drawing: Rework Arm

Date: 9/9/2013

Drawn by: MDT

Sheet No: 1 Of 1