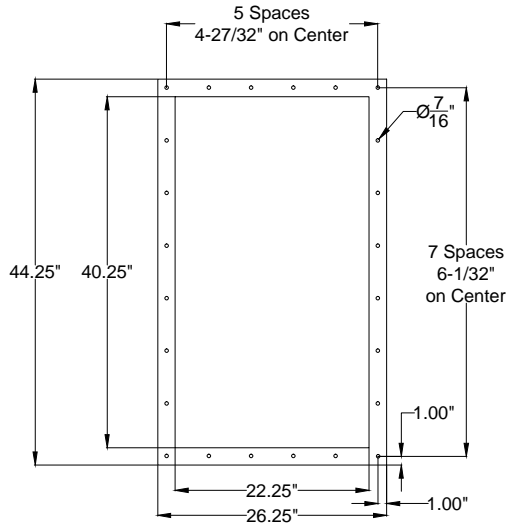
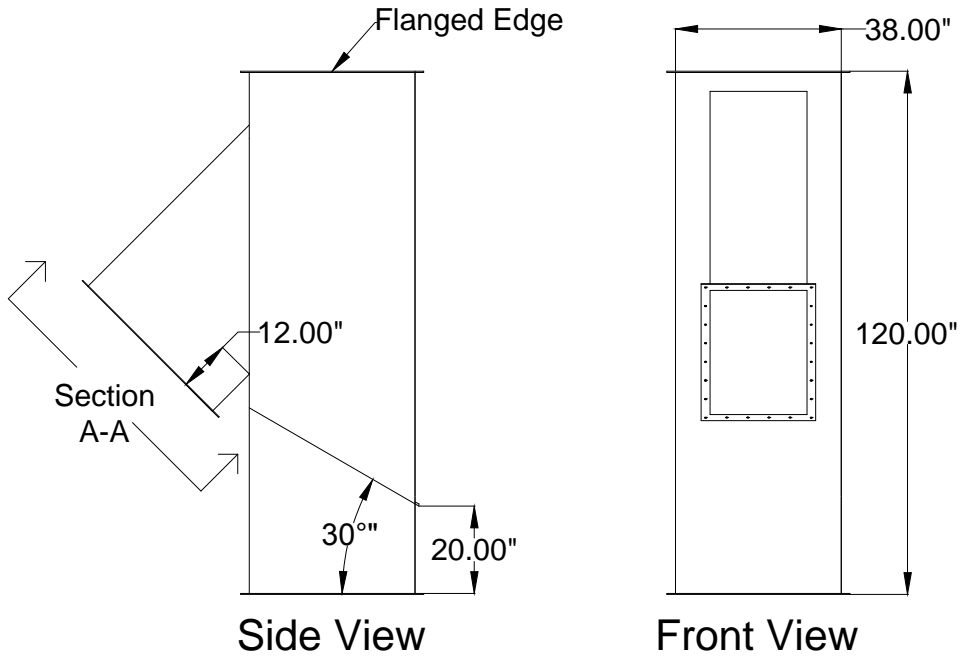


Performance Contractor Offset Duct Base



Section A-A
(Scaled 2:1)



Avani Environmental Intl.
95 Cypress Drive
Youngsville, NC 27596
P# 919-570-2862 F# 919-570-2863

Avani

Project: Performance Contractors

Drawing: Offset Duct

Date: 5/1/2013

Drawn by: MDT

Sheet No: 1 Of 1

Rev.: 1