



Date: December 11, 2012

Project:

To: Plasma CAM

Attn:

Recommended Equipment:

Plasma CAM DDT-PC66 Redesign

Avani Environmental Intl. Inc.

95 Cypress Drive

Youngsville, NC 27596

www.avanienvironmental.com

Phone: (919) 570-2862

Fax: (919) 570-2863

Email: info@avanienvironmental.com

www.weldingbooths.com

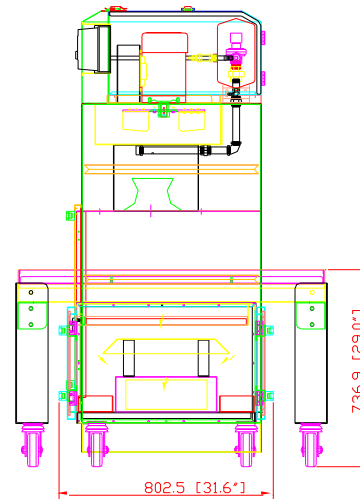
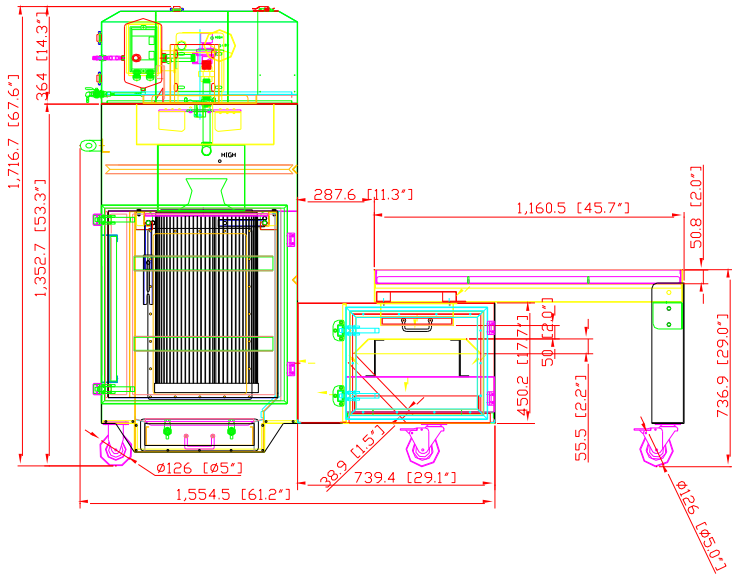
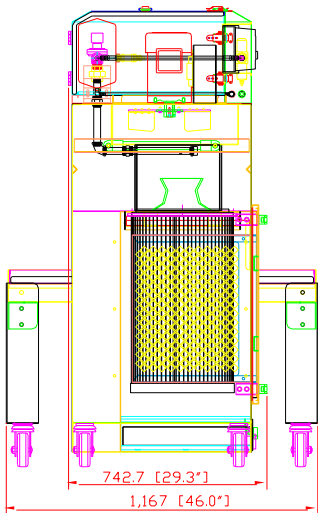
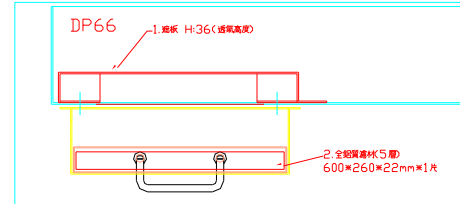
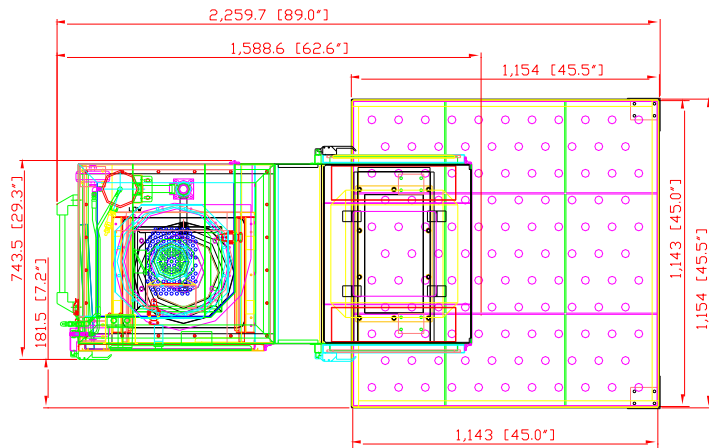
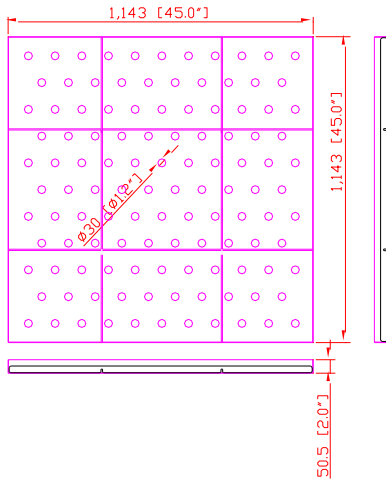
DO NOT SCALE

IF IN DOUBT ASK



Revisions

Rev	Description	Date	Approved
-----	-------------	------	----------



AVANI ENVIRONMENTAL INTL. INC. Sales Department
 95 Cypress Drive (919) 570-2862
 Youngsville, NC 27596 info@avanienvironmental.com

Date	Name	Part Number:
2012-12-11	***	DDT-PC66
Checked by:		

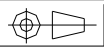
Title: ECO Plasma Table (2HP)

The drawings, AutoCAD, 3-D Models, and specifications are the property of Avani Environmental Intl. Inc. (AE) and may not be reproduced, distributed, modified, or otherwise used, except provided herein, without the express written permission of AE.

Size	Scale	Drawing Number:
E	1 = 20	***

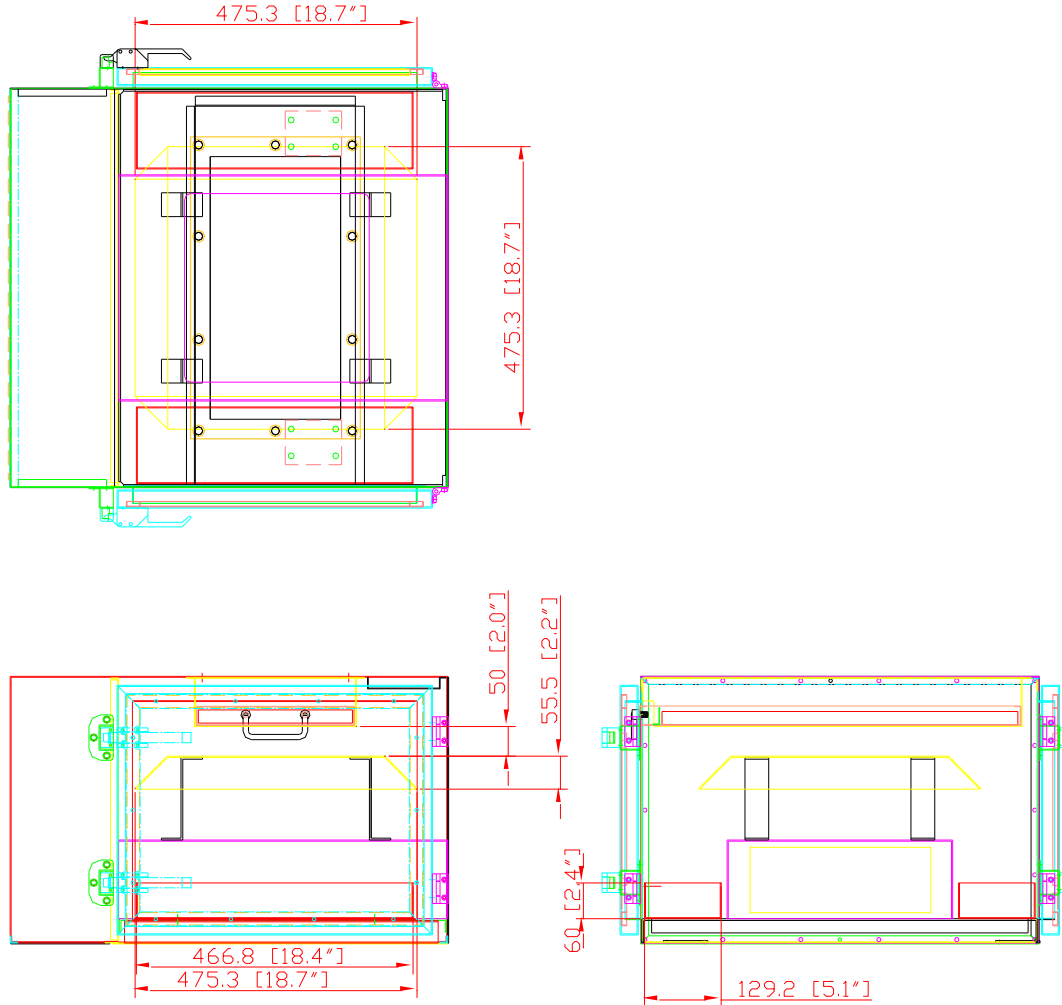
DO NOT SCALE

IF IN DOUBT ASK



Revisions

Rev	Description	Date	Approved
-----	-------------	------	----------



AVANI ENVIRONMENTAL INTL. INC.
 95 Cypress Drive
 Youngsville, NC 27596

Sales Department
 (919) 570-2862
 info@avanienvironmental.com

	Date	Name	Part Number:
Drawn by:	2012-12-11	***	DDT-PC66
Checked by:			

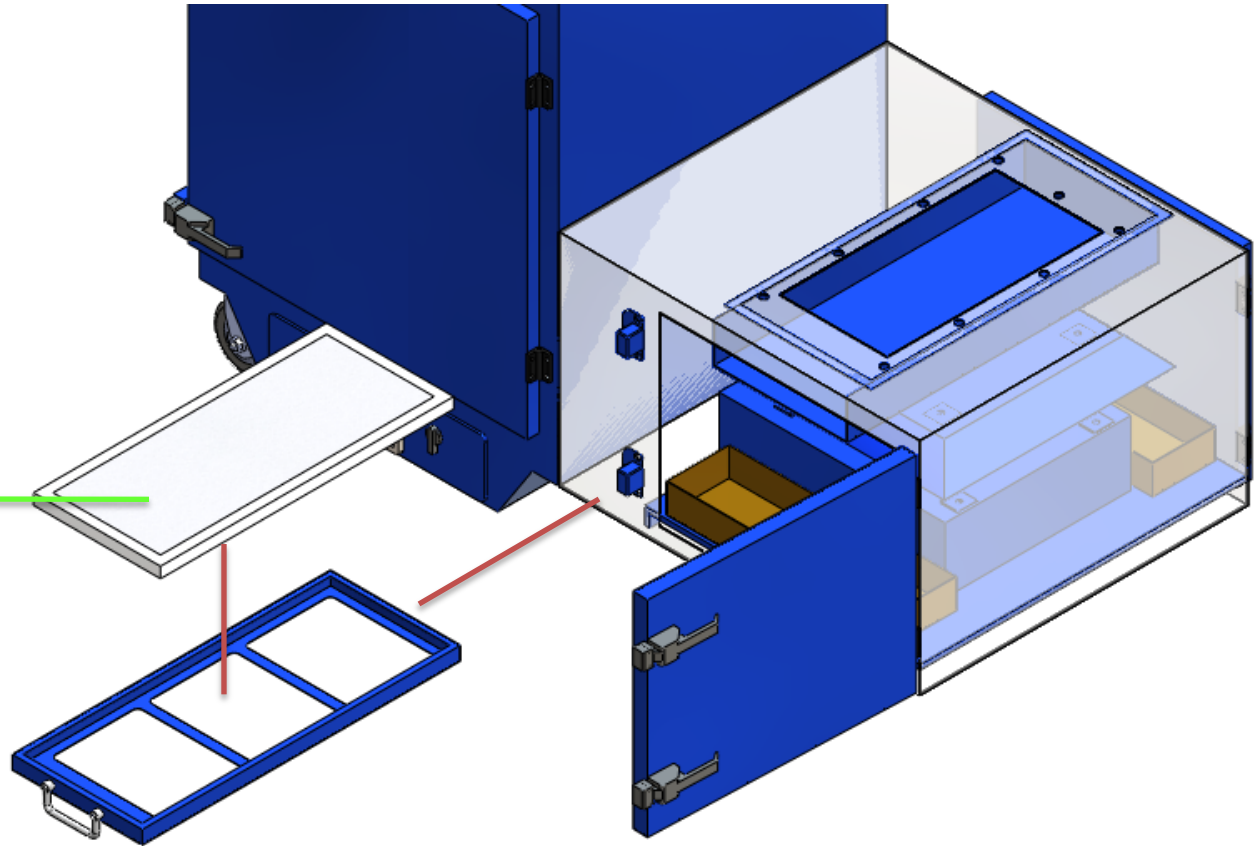
Title: ECO Plasma Table (2HP)

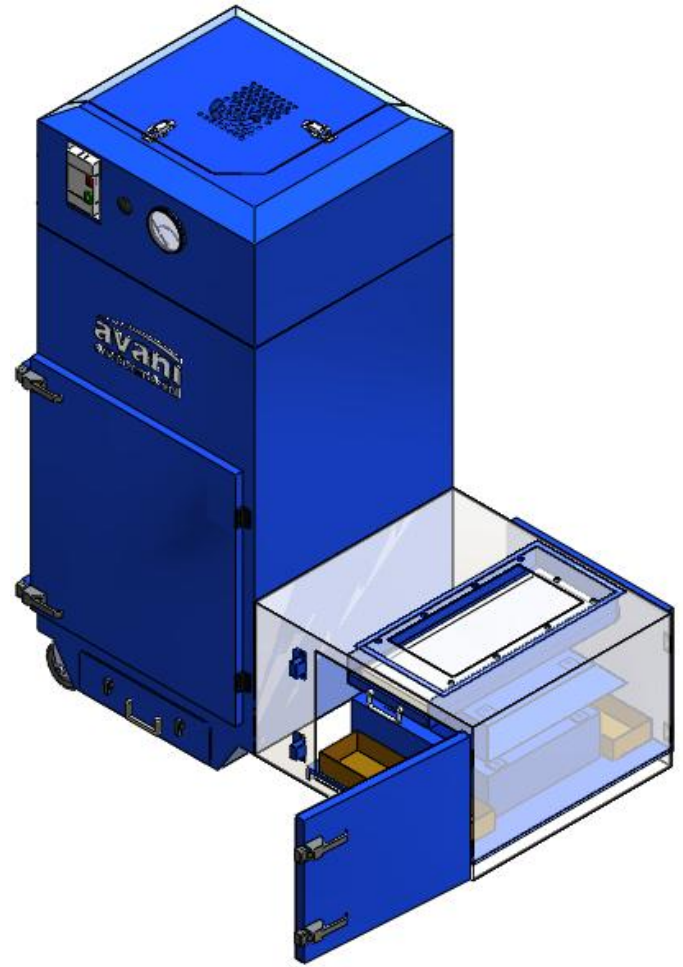
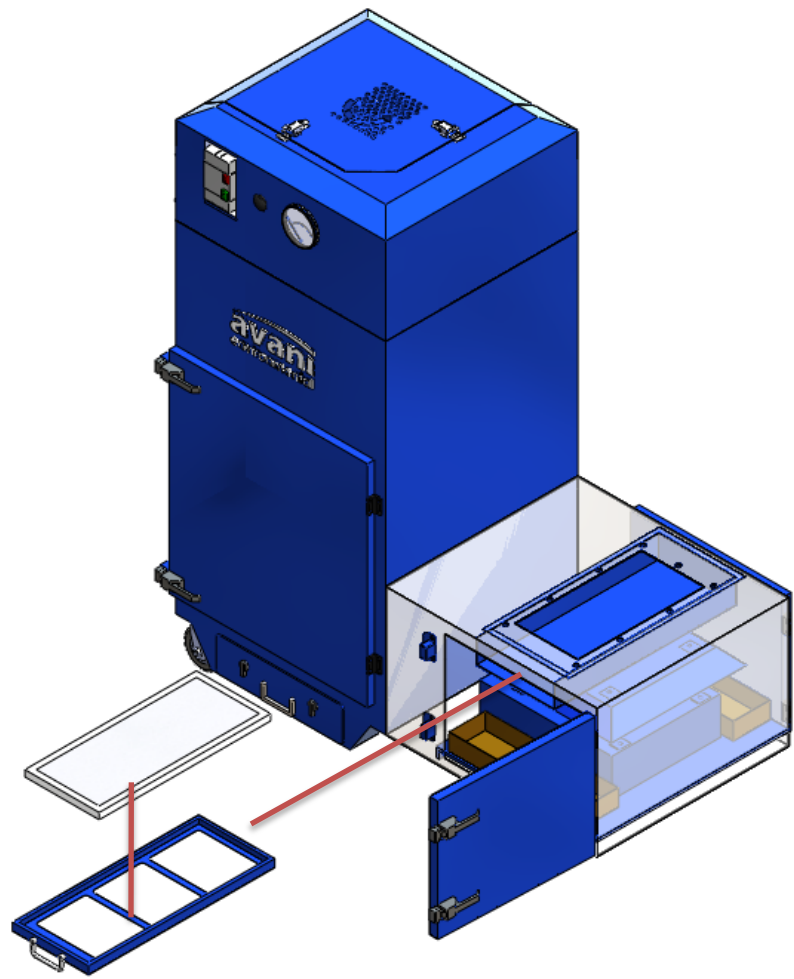
The drawings, AutoCAD, 3-D Models, and specifications are the property of Avani Environmental Intl. Inc. (AE) and may not be reproduced, distributed, modified, or otherwise used, except provided herein, without the express written permission of AE.

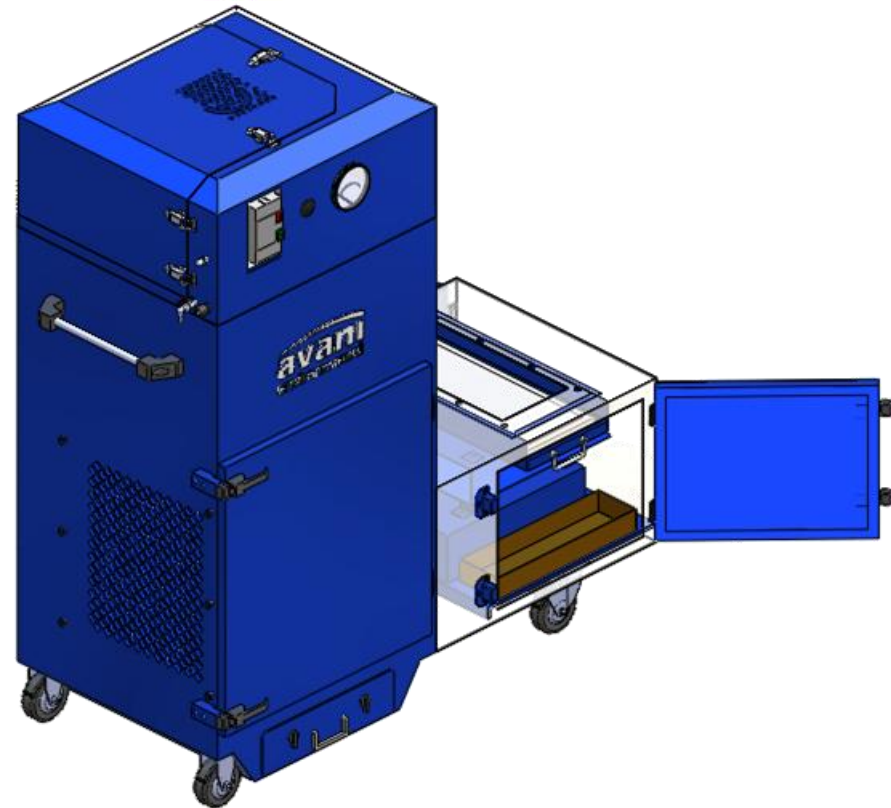
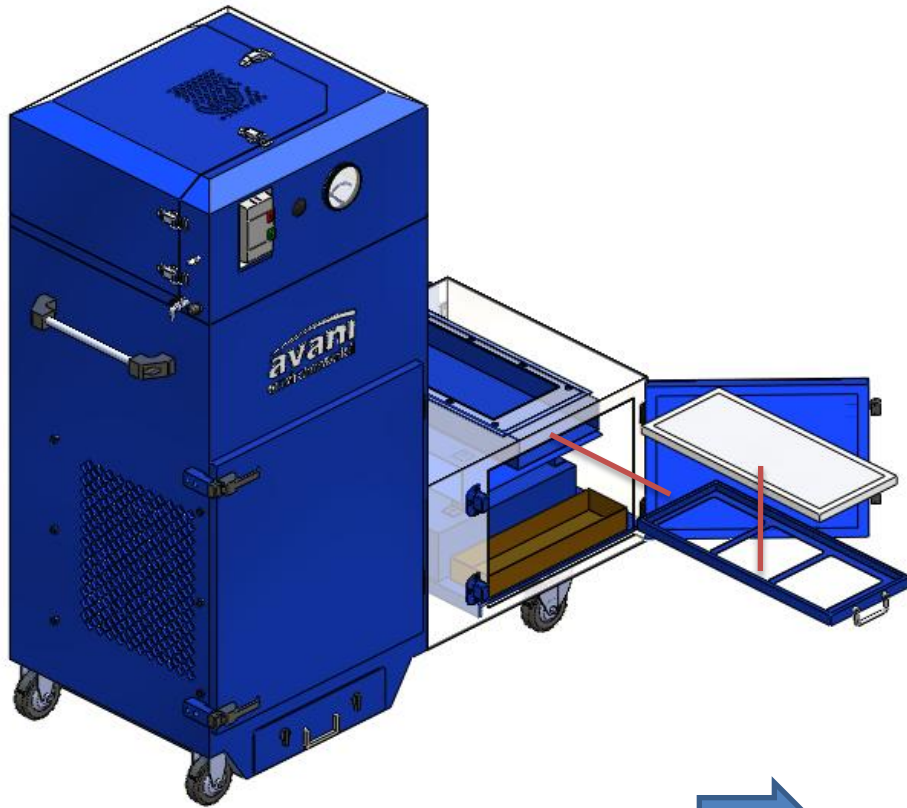
Size **E**
 Scale 1 = 10

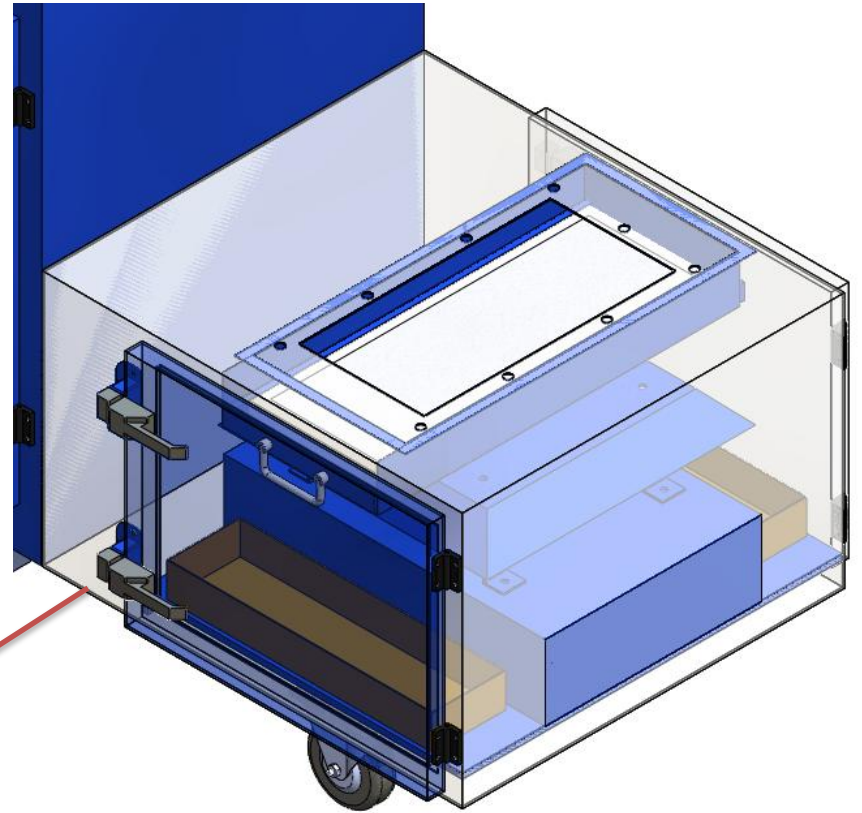
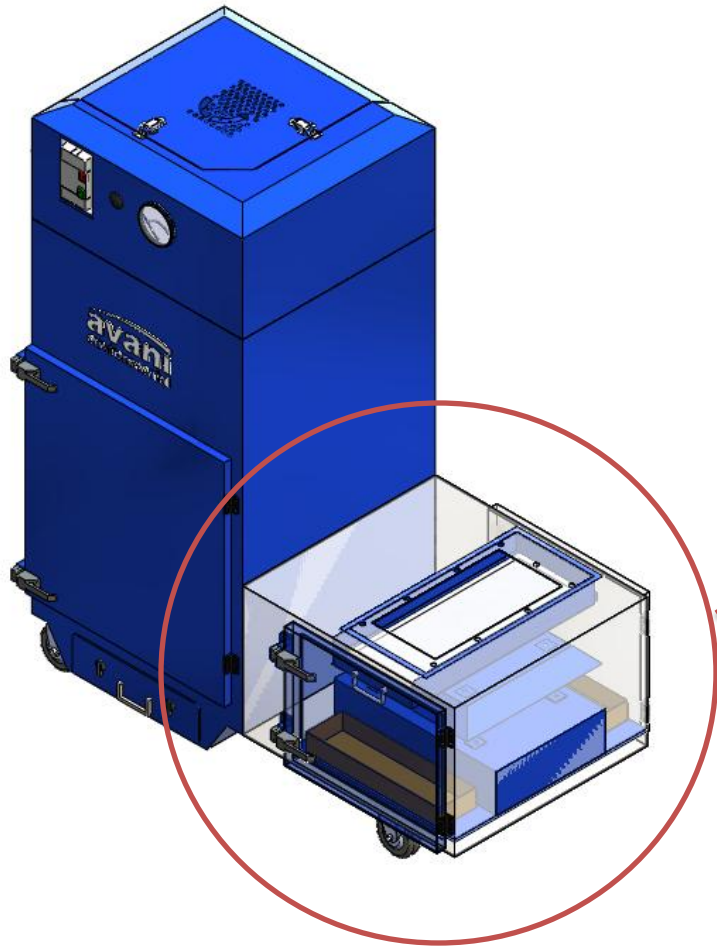
Drawing Number: ***

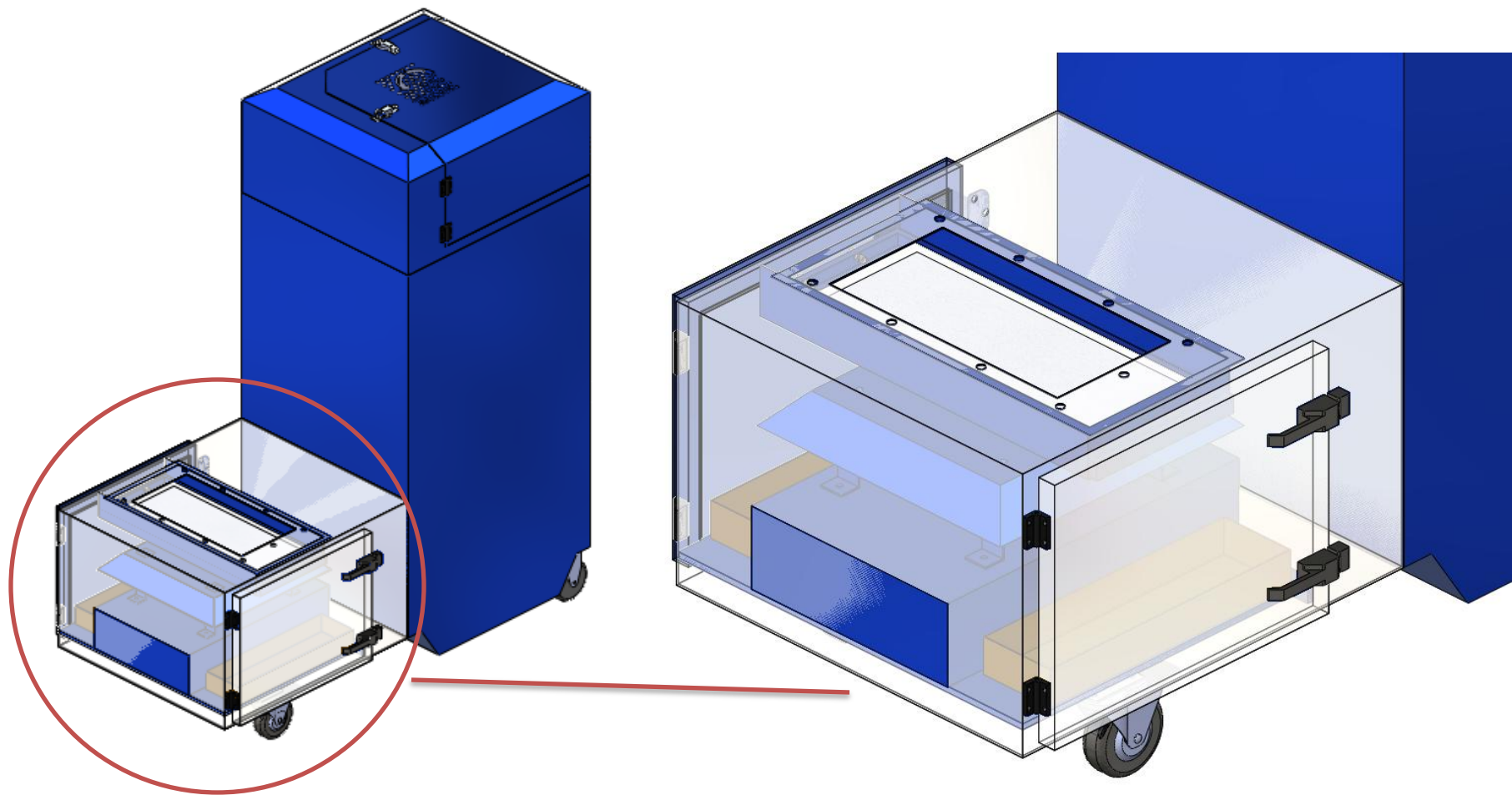
Aluminum Mesh



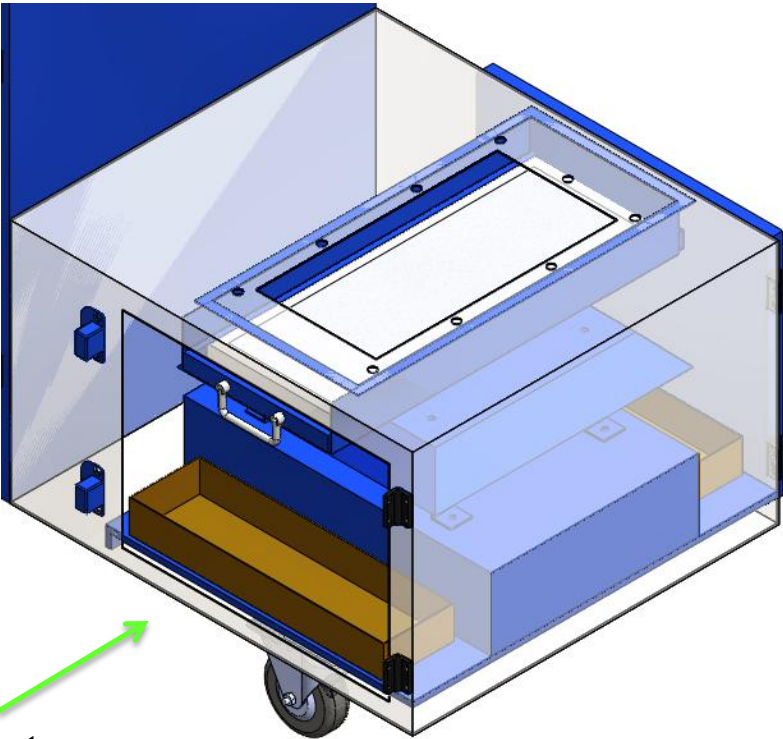




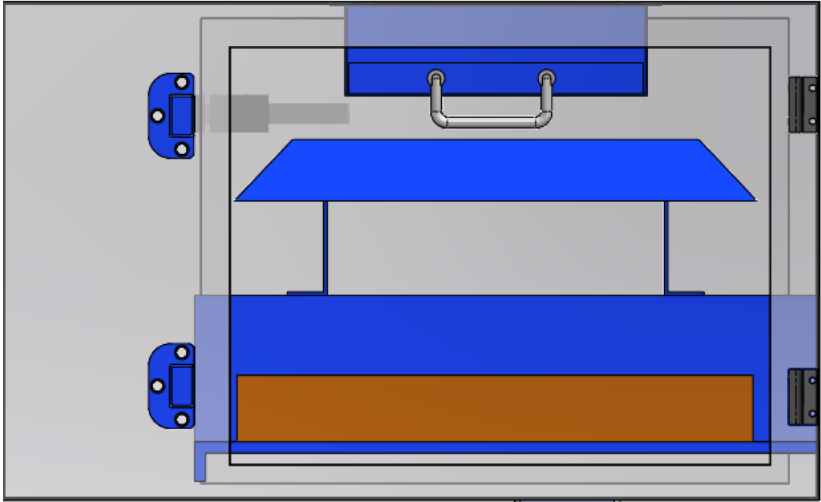




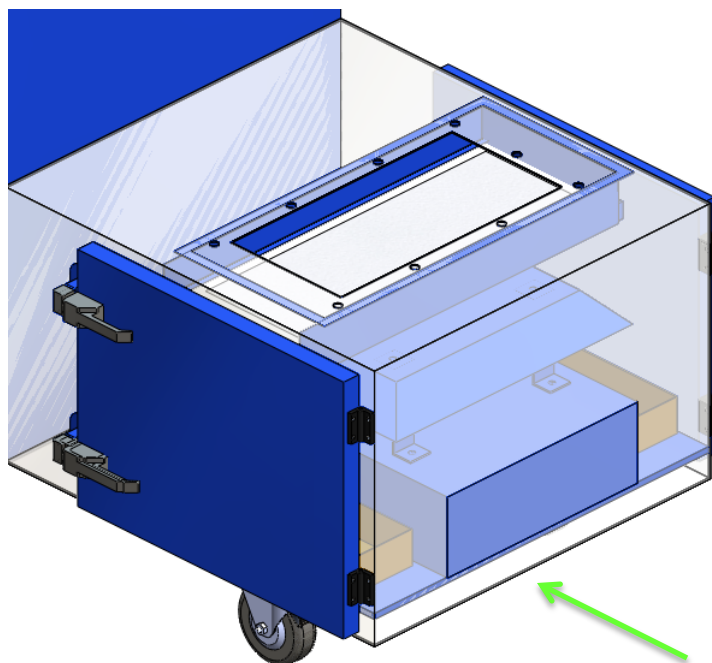
Front View



Front



Side View



Side

