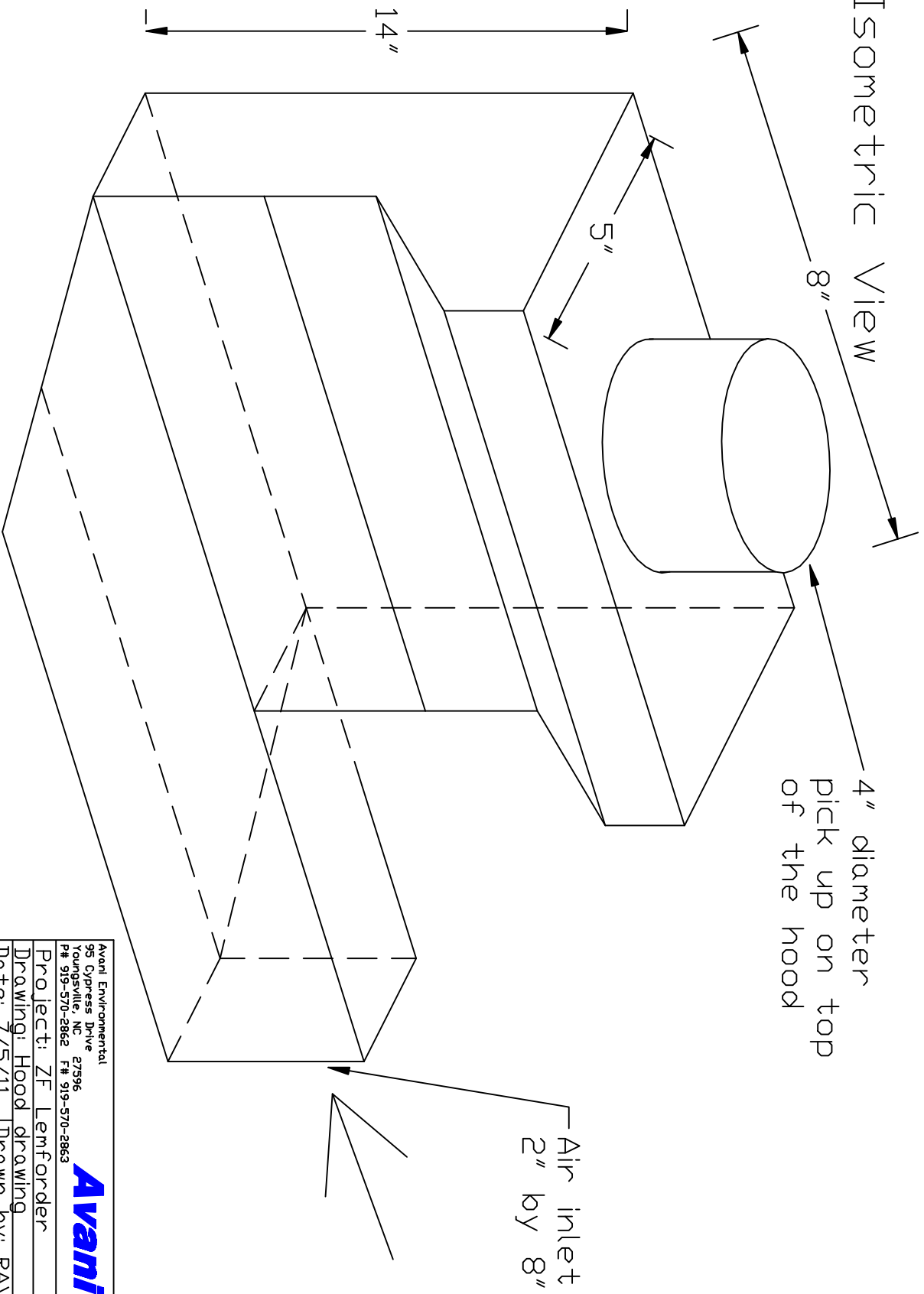


Custom Hood Drawing

Isometric View

4" diameter
pick up on top
of the hood

Air inlet
2" by 8"



Avani Environmental
95 Cypress Drive 27396
Raleighville, NC
P# 919-570-2862 F# 919-570-2863



Project: ZF Lemforder

Drawing: Hood drawing

Date: 7/5/11 Drawn by: RAV

Sheet No: