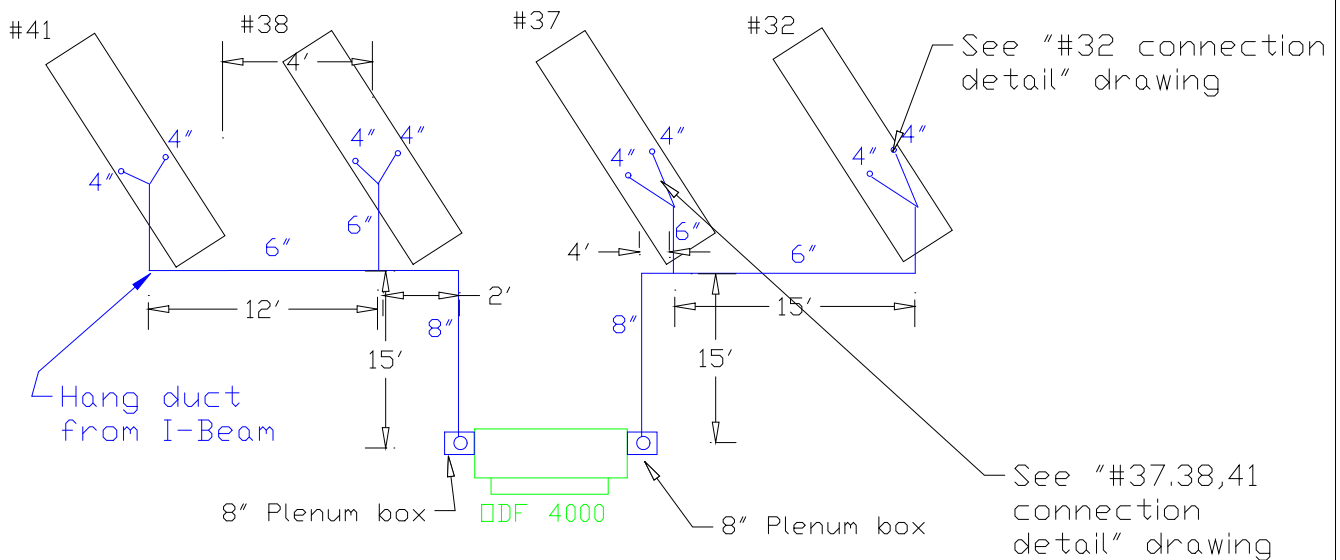


Duct Layout for machines 33-36



Notes:

- A) Drain Line: 3/4" PVC w/ "P"Trap and ball valve
- B) Bottom of duct 12'6" off of floor
- C) Use flex to connect to each 4" drop

Industrial Air Quality	IAQ
102 AG DRIVE YOUNGSVILLE, NC 27596 PH 919-562-7181 F# 919-562-7182	
Project: YaleCommerical	
Drawing: Duct for 37,8,41,32	
Date: 7/1/03 Drawn by: RAV	
Sheet No:	