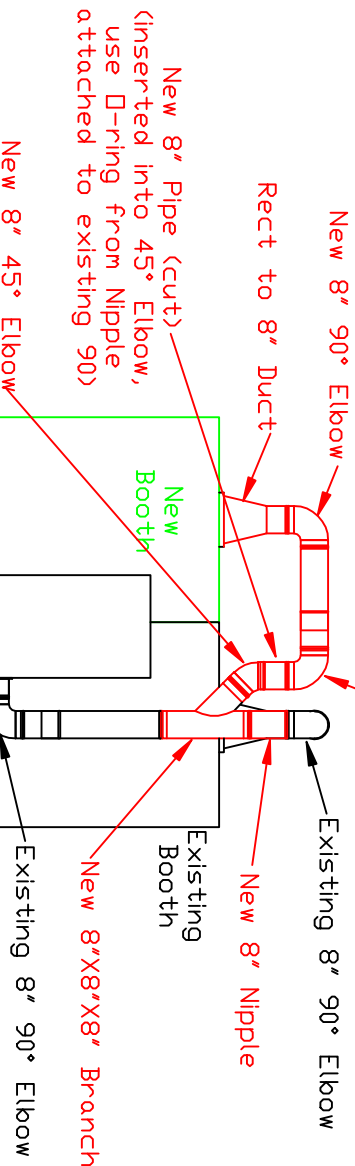
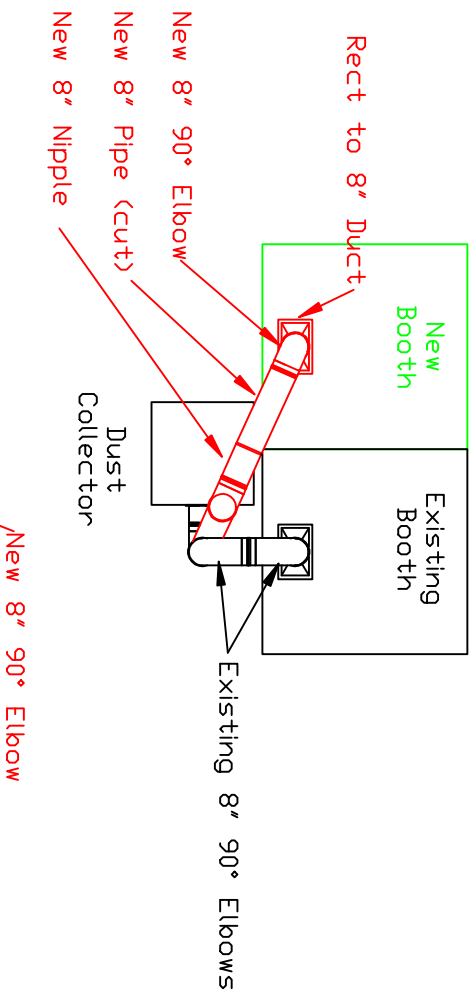


Xtralight Manufacturing New Welding Booth Addition

Plan View



Elevation View

Avanti Environmental Intl. 95 Cypress Drive 27596 Raleighville, NC P# 919-570-2862 F# 919-570-2863	
Project: Xtralight Mfg. Drawing: New Booth Duct Date: 3/12/12 Drawn by: WWB Sheet No: 1 Rev: 0	