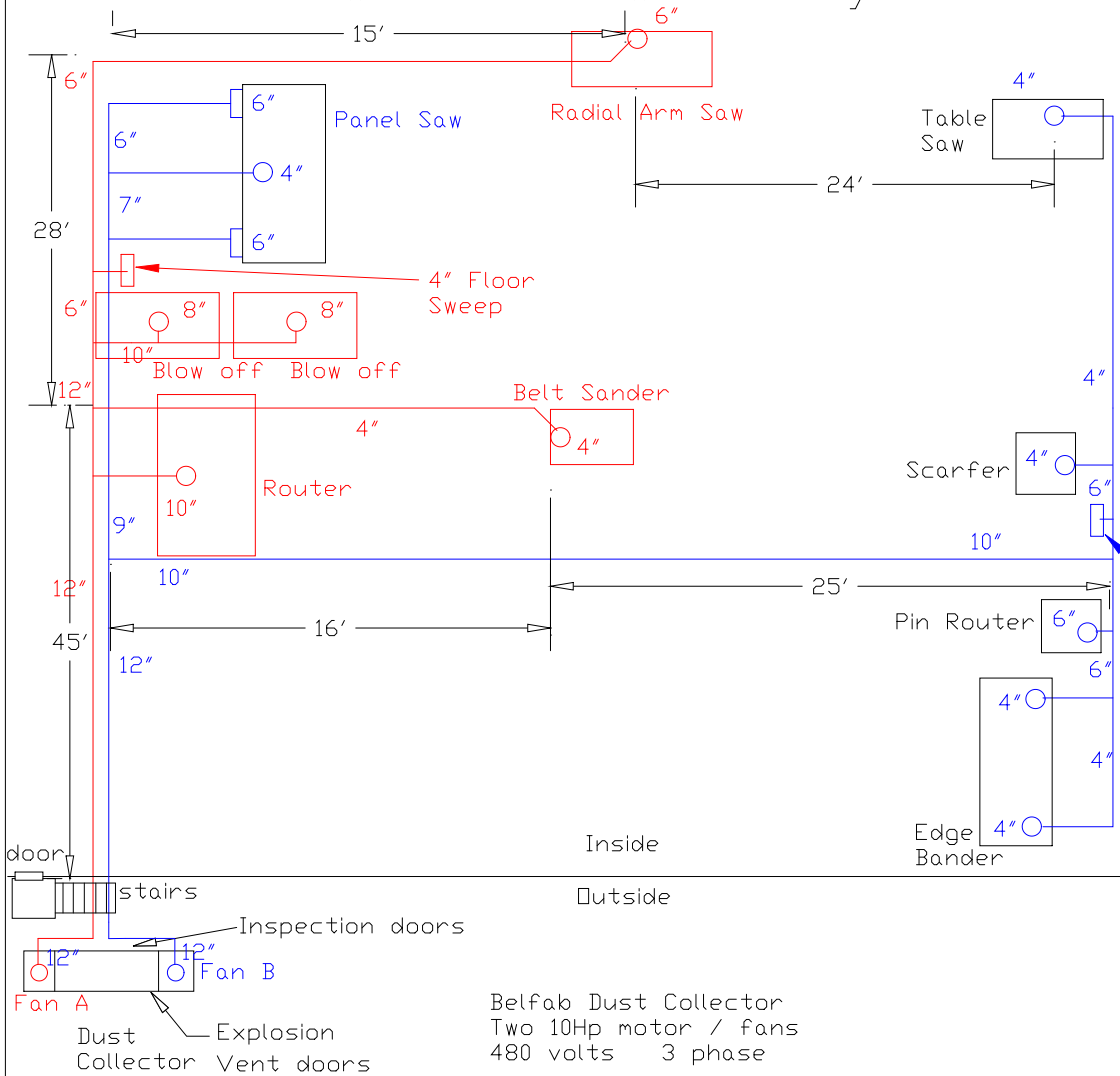


Overview of Ductwork Layout for Project



Notes:
 A) Bottom of ductwork off of floor is 10' 6"
 B) The Router and Blow off hoods will have an automatic blastgate so one will be open while the other is closed.
 C) All other machines will have a manual blastgate for air flow adjustment.

Industrial Air Quality	
102 AG DRIVE	
Youngsville, NC 27596	
P# 919-562-7181	F# 919-562-7182
Project: WINCO	
Drawing: Ductwork layout	
Date: 9/15/08	Drawn by: RAV
Revision: 9/26/08	

