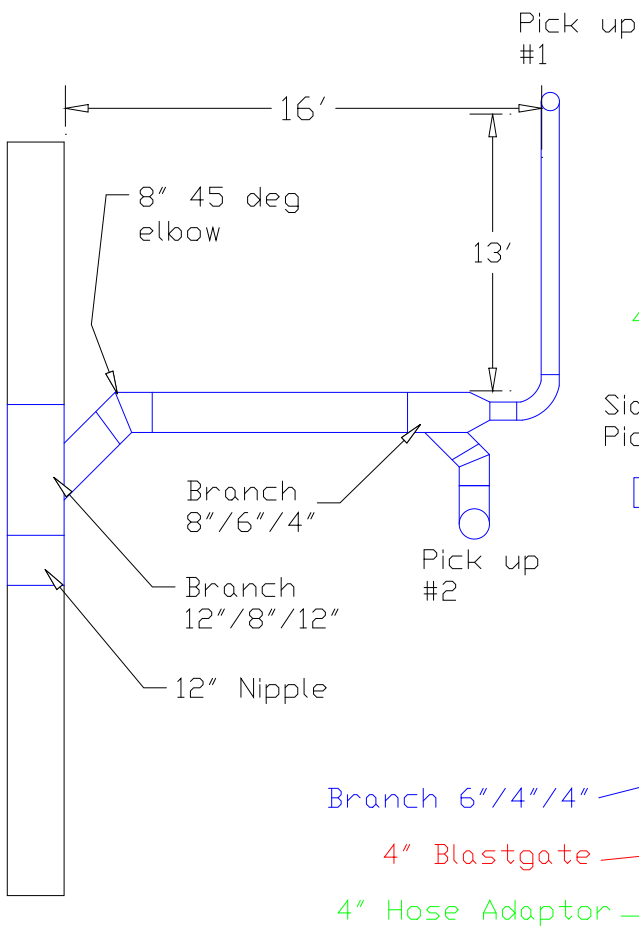
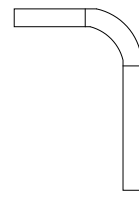


Ductwork Layout for Relocation of Pin Router

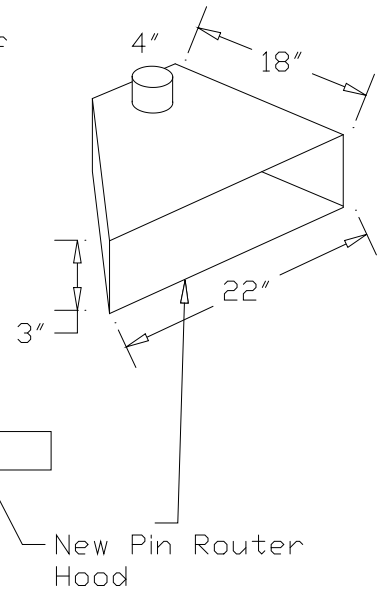
Plan View



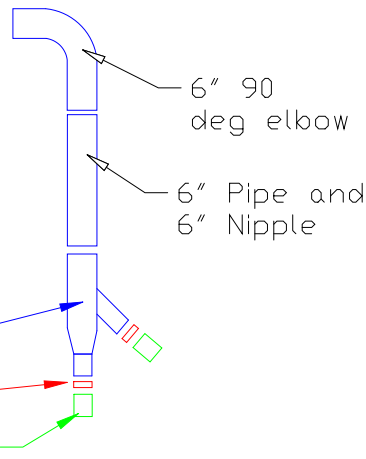
Side View of Pick up #1



- 4" Blastgate
- 4" Flex Duct
- 4" Hose Adaptor



Side View of Pick up #2



Industrial Air Quality		IAQ
102 AG DRIVE		
Youngsville, NC 27596		
P# 919-562-7181	F# 919-562-7182	
Project: Winco		
Drawing: Ductwork layout		
Date: 7/8/09	Drawn by: RAV	
Sheet No:		