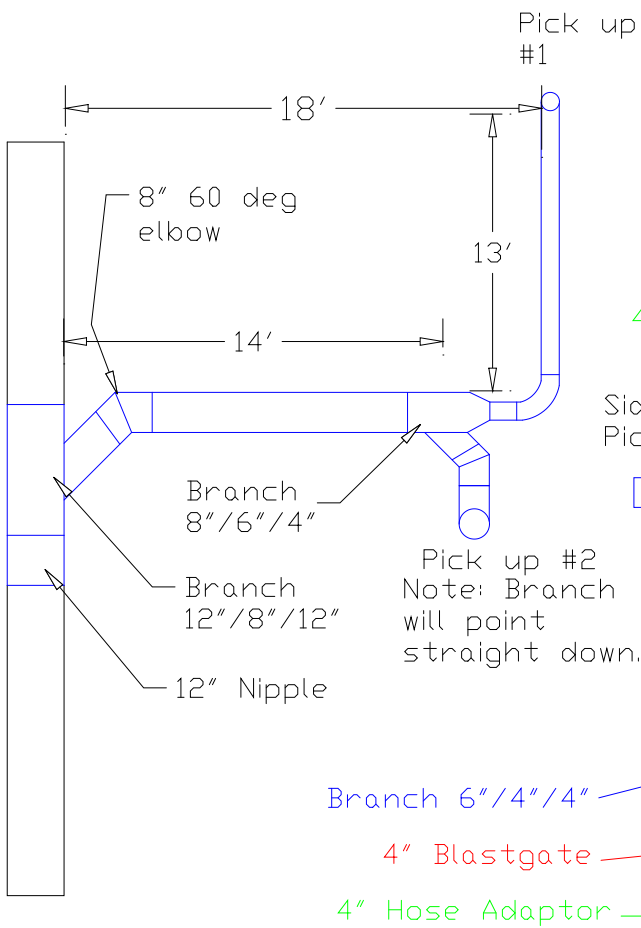
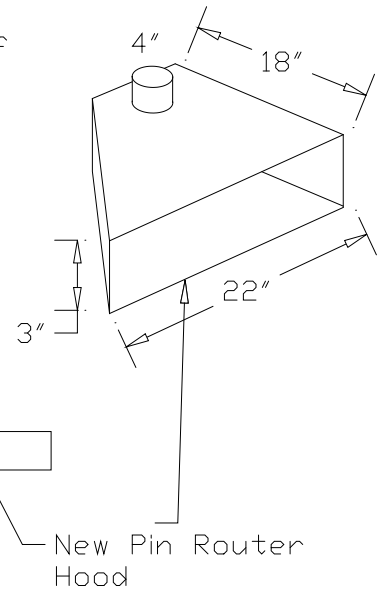
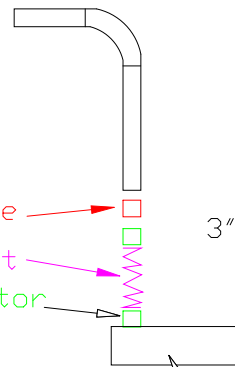


# Ductwork Layout for Relocation of Pin Router

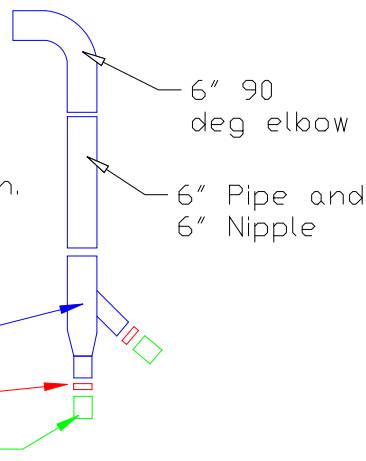
## Plan View



## Side View of Pick up #1



## Side View of Pick up #2



Industrial Air Quality		<b>IAQ</b>
102 AG DRIVE Youngsville, NC 27596		
P# 919-562-7181	F# 919-562-7182	
Project: Winco		
Drawing: Ductwork layout		
Date: 7/8/09	Drawn by: RAV	
Sheet No:		