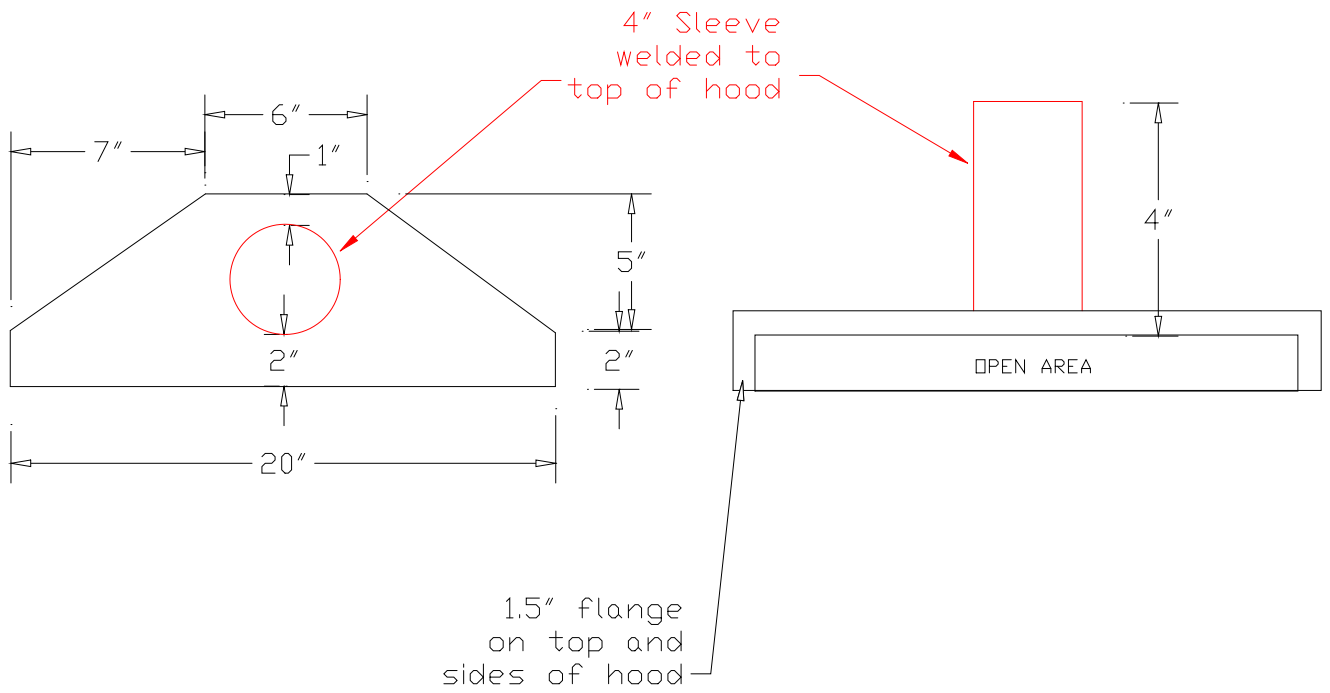


# Pin Router Hood Version 2

Plan View

Side View



Industrial Air Quality 102 AG DRIVE Youngsville, NC 27596 P# 919-562-7181 F# 919-562-7182	<b>IAQ</b>
Project: Winco	
Drawing: Pin router hood 2	
Date: 10/20/08 Drawn by: RAV	
Sheet No:	