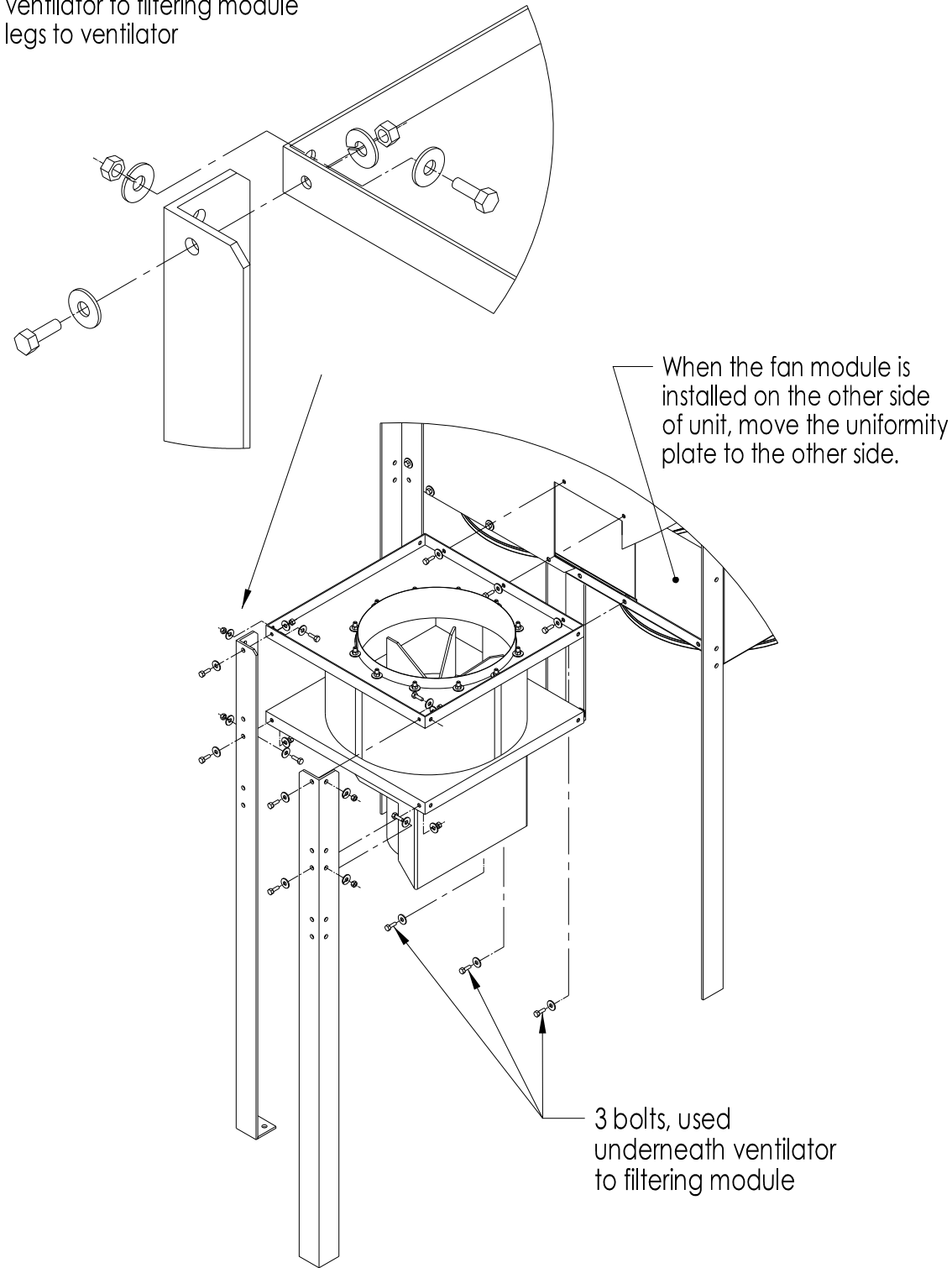


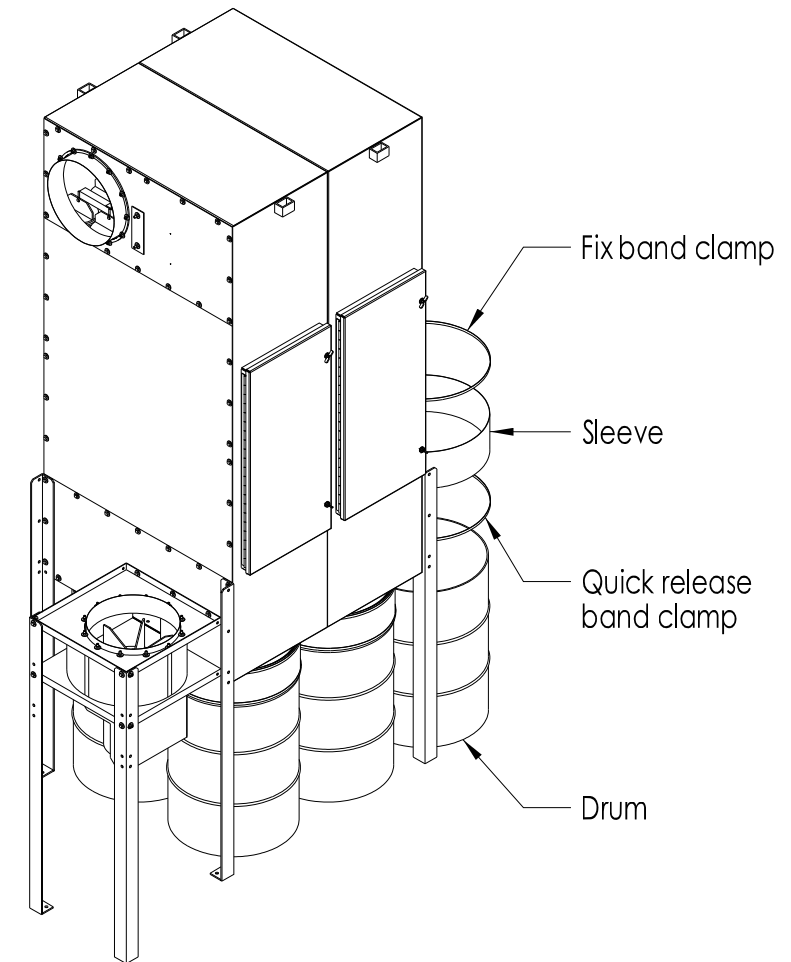
Step 2

Bolt the ventilator to the dust collector and the legs to the ventilator.
 14 places total to bolt.
 6 places, ventilator to filtering module
 8 places, legs to ventilator



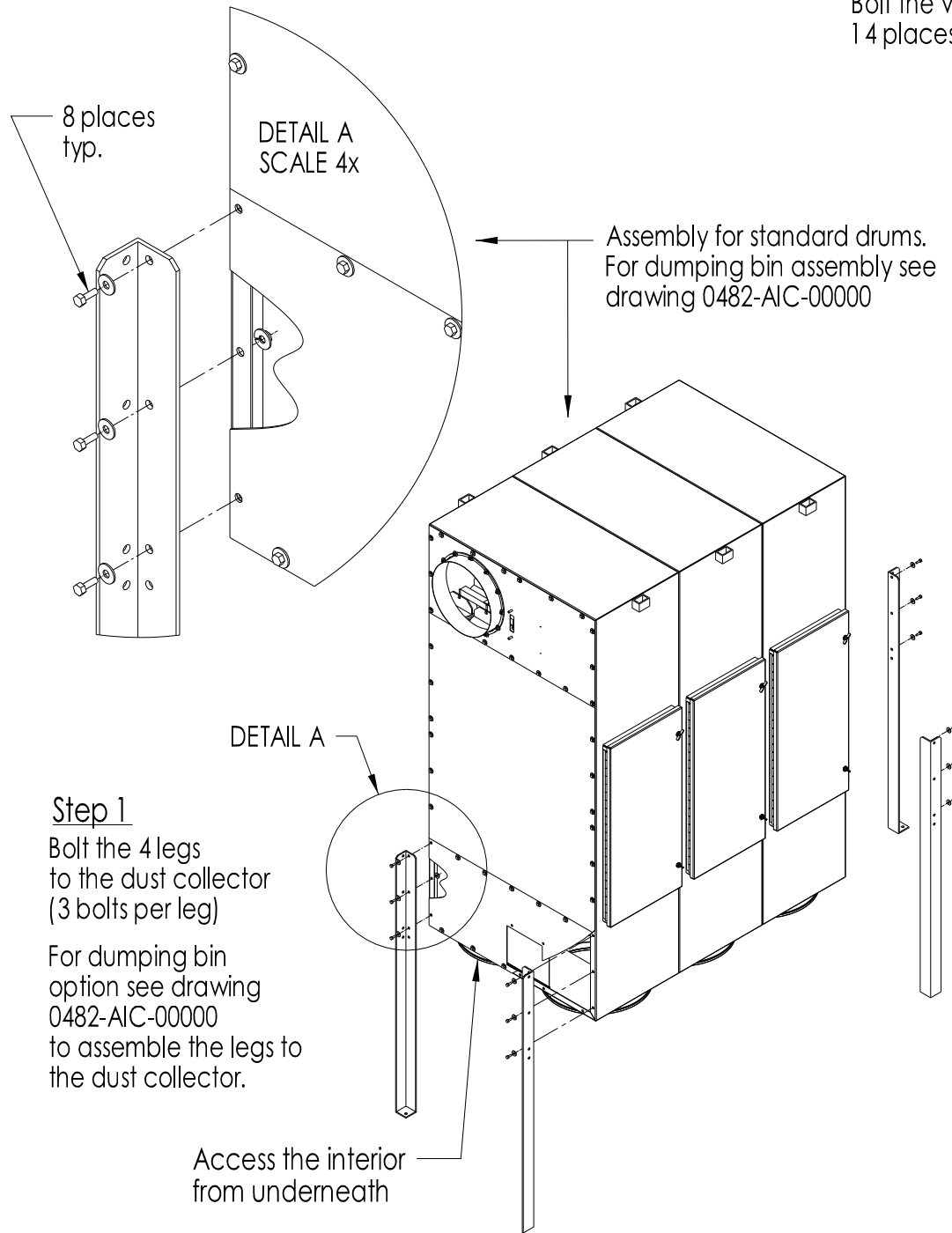
Step 3

Anchor the unit to the ground, use the legs bolt down pads.



Step 4

See drawing 0482-AIC-00000 for quick coupling plate for dumping bin.
 Assemble the drums with the hardware provided.



Step 1

Bolt the 4 legs to the dust collector (3 bolts per leg)

For dumping bin option see drawing 0482-AIC-00000 to assemble the legs to the dust collector.

Notes:

- 1) All bolts are 3/8-16 UNC x 1" long.
- 2) All nuts 3/8-16 UNC.
- 3) All washers and lock washers are 3/8" Nom.

| | | | | | | | | | | |
|--|---------|--|------------------------|-------------------|--------------------------------|----------|-------------------------|---------------------------------|------------------------------|----------------|
| This drawing and all its contents are the exclusive property of PYRADIA. It is strictly forbidden to transmit, copy or use contrary to PYRADIA's interests except for its original purpose. This drawing must be returned upon demand. | NOTES : | UNLESS OTHERWISE SPECIFIED : ALL DIMENSIONS ARE IN INCHES | | | CLIENT : | PROD. : | SCALE : 1" = 3' | DRAWN BY : CB | DATE (Y/M/D) : 2000/01/13 | PYRADIA |
| | | TOLERANCES | | | MODELE No. : NBM | VERIFY : | DATE (Y/M/D) : | TITLE : ASSEMBLY INFORMATION | | |
| | | DECIMAL .XX +/- .05 .XXX +/- .010 | FRACTIONAL +/- 1/16 | ANGULAR +/- .5 | DWG No. : 0482-BIA-00000-E* | REV. : | APPROVED : <i>JS</i> | DATE (Y/M/D) : 2003/09/26 | NBM | |