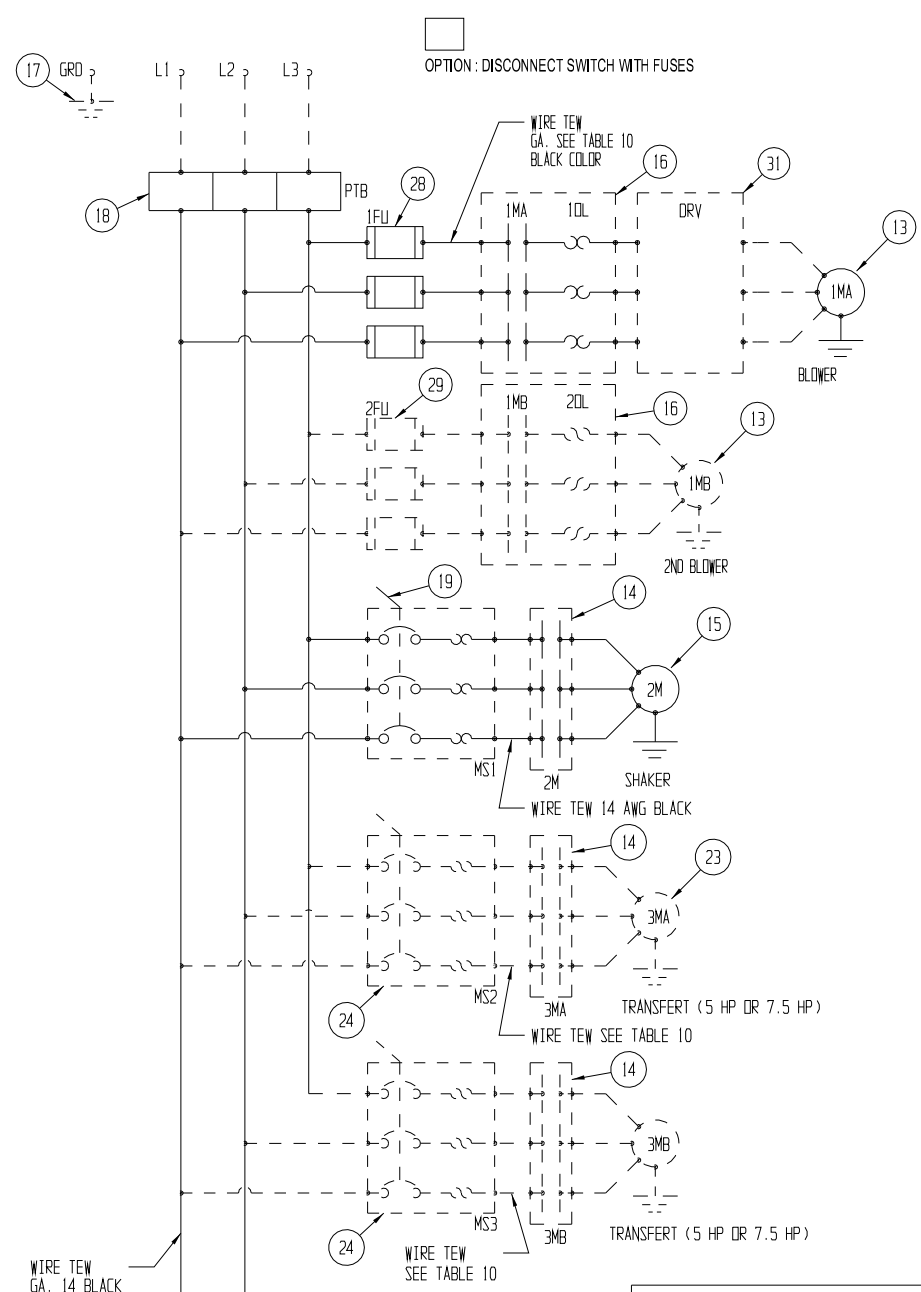
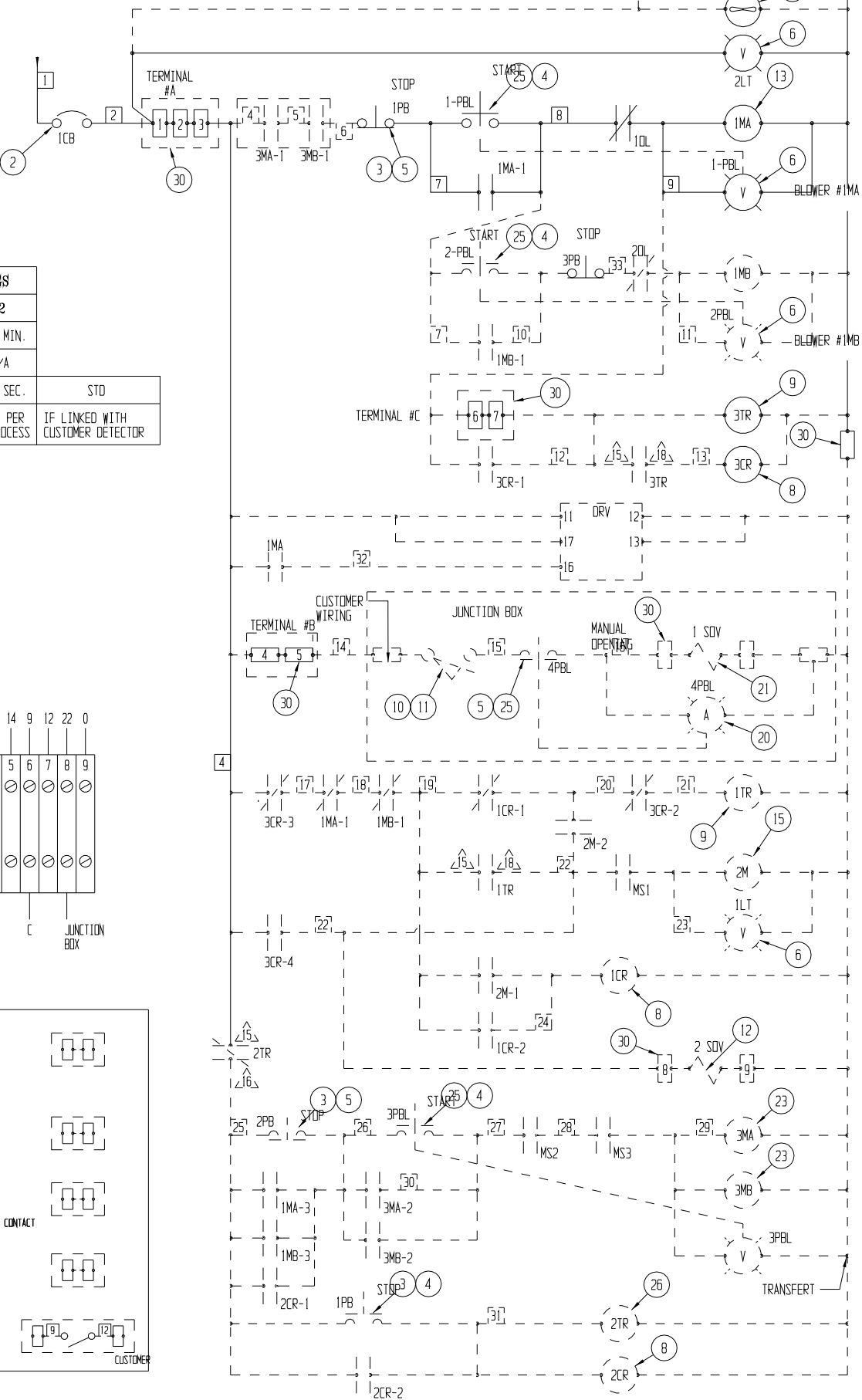
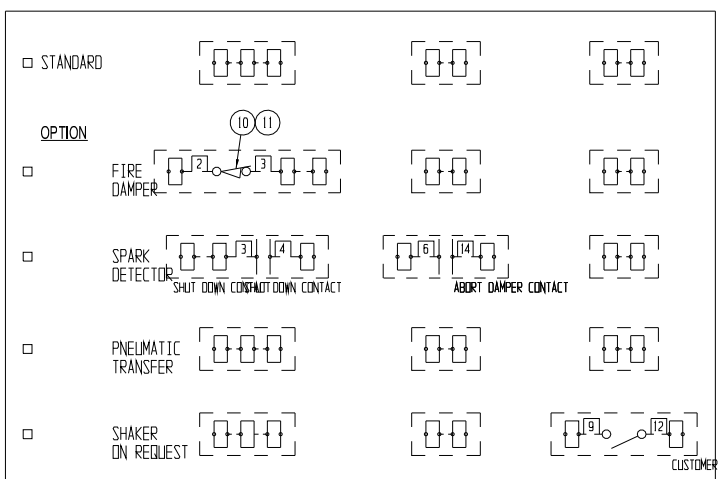
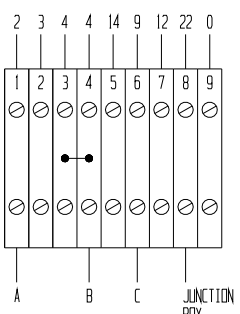


FUSE RECOMMENDED ----- SEE TABLE 9



**TIMERS SETTINGS**

NO.	T1	T2
1TR	20 SEC.	1 MIN.
2TR	10 MIN.	N/A
3TR	1 HR	3 SEC.
	AS PER PROCESS	AS PER PROCESS
		IF LINKED WITH CUSTOMER DETECTOR



ITEM	DESCRIPTION	QTY.
1	TRANSFO, SEE TABLE 1	1
2	BREAKER, 3A 250V	1
3	RED PUSH BUTTON	3
4	CONTACT BLOC NO	4
5	CONTACT BLOC NC	3
6	PILOT LIGHT GREEN	4
7	FUSES SEE TABLE 1	2
8	RELAY 4 POLES COIL 120V	3
9	TIMER DELAY RELAY ELECTROMATIC ECC CT 23	2
10	LIMIT SWITCH HEAD	1
11	LIMIT SWITCH BODY	1
12	PNEUMATIC SELENDIO VALVE	1
13	VENTILATOR MOTOR SEE TABLE 2	2
14	MAGNET STARTER AB # 100-C09D10	3
15	SHAKER MOTOR SEE TABLE 4	1
16	MAGNET STARTER SEE TABLE 3	2
17	GROUND LUG, 2-8	2
18	POWER DISTRIBUTION BLOCK (SEE TABLE 11)	1
19	MANUAL STARTER SEE TABLE 4	1
20	PILOT LIGHT AMBER	1
21	ELECTROMAGNET	1
22	DISCONNECT SWITCH (OPTION)	1
23	TRANSFERT VENTILATOR MOTOR	2
24	MANUAL STARTER SEE TABLE 8	2
25	ILLUMINATED PUSH BUTTON	3
26	TIMER DELAY RELAY ELECTROMATIC DAAO1CM24	1
27	TERMINAL BLOCK #B	2
28	FUSES SEE TABLE 3	3
29	FUSES SEE TABLE 3	3
30	TERMINAL BLOCK	9
31	SOFT STARTER (OPTION) SEE TABLE 3	1
32	PANEL FAN & FILTER (OPTION)	1

REV.	DESCRIPTION	DATE	BY
V*	ADD STOP BUTTON MOTOR 2	2007/07/27	ID
U*	ADD INF. FOR ITEM 18	2005/06/28	CS
T*	ADD SOFT STARTER OPTION	2004/04/26	JSJ
S*	GENERAL	2003/08/19	CL
R*	NOTED SHAKER FOR NBM-OP	2003/04/11	JL
Q*	GENERAL	2003/03/14	AL
P*	ADD PARTS NO. 28 TO 32	2002/11/08	CL
O*	CHANGE WIRE NO.	2002/09/04	CL
N*	ADD WIRE NO.	2002/08/06	CL
M*	CHANGE WIRE NO.	2002/05/23	CL
L*	GENERAL	2002/05/03	CL

This drawing and all its contents are the exclusive property of PYRADIA. It is strictly forbidden to transmit, copy or use contrary to PYRADIA's interests except for its original purpose. This drawing must be returned upon demand.

NOTES:

RESERVED FOR CLIENT:

SEAL :  
 UNLESS OTHERWISE SPECIFIED :  
 ALL DIMENSIONS ARE IN INCHES  
 TOLERANCES  
 DECIMAL .XX +/- .05  
 FRACTIONAL +/- 1/16  
 ANGULAR +/- .5°

CLIENT :  
 MODEL No. : NBM  
 DWG No. : 0482-CEA-00000-V\*  
 REV. :  
 PROD. :  
 SCALE: NTS  
 DRAWN BY : JL  
 VERIFY :  
 APPROVED :  
 DATE : 95/06/20  
 DATE : 96/04/21  
**PYRADIA**  
 TITLE : ELECTRICAL DIAGRAM  
 NBM