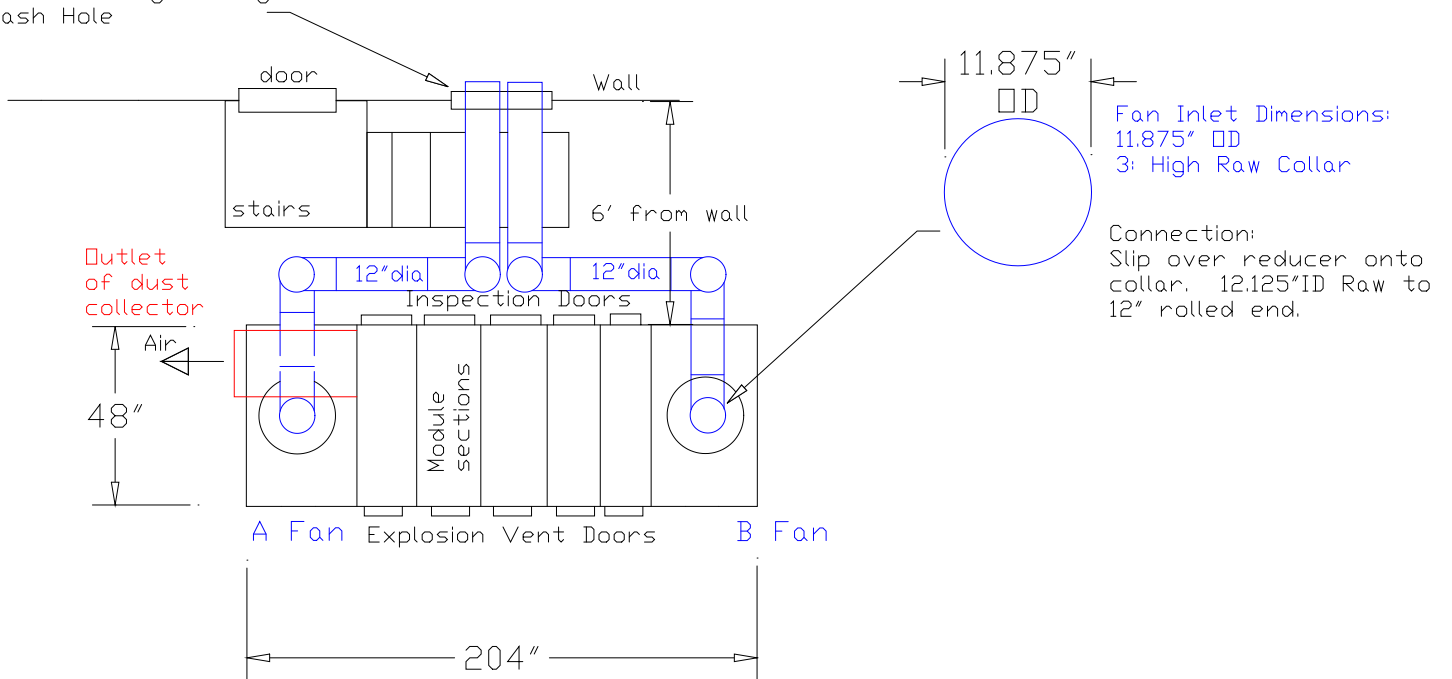


Belfab Dust Collector Details

Plan View

Note:
 Hole in wall is 38" by 16". There is a metal plate covering the hole that can be removed. There will be two 12" diameter ducts running through the hole. IAQ to flash Hole



Industrial Air Quality	
102 AG DRIVE	
Youngsville, NC 27596	
P# 919-562-7181	F# 919-562-7182
Project: WINCO	
Drawing: Dust collector	
Date: 9/17/08	Drawn by: RAV
Rev 9/30/08	

