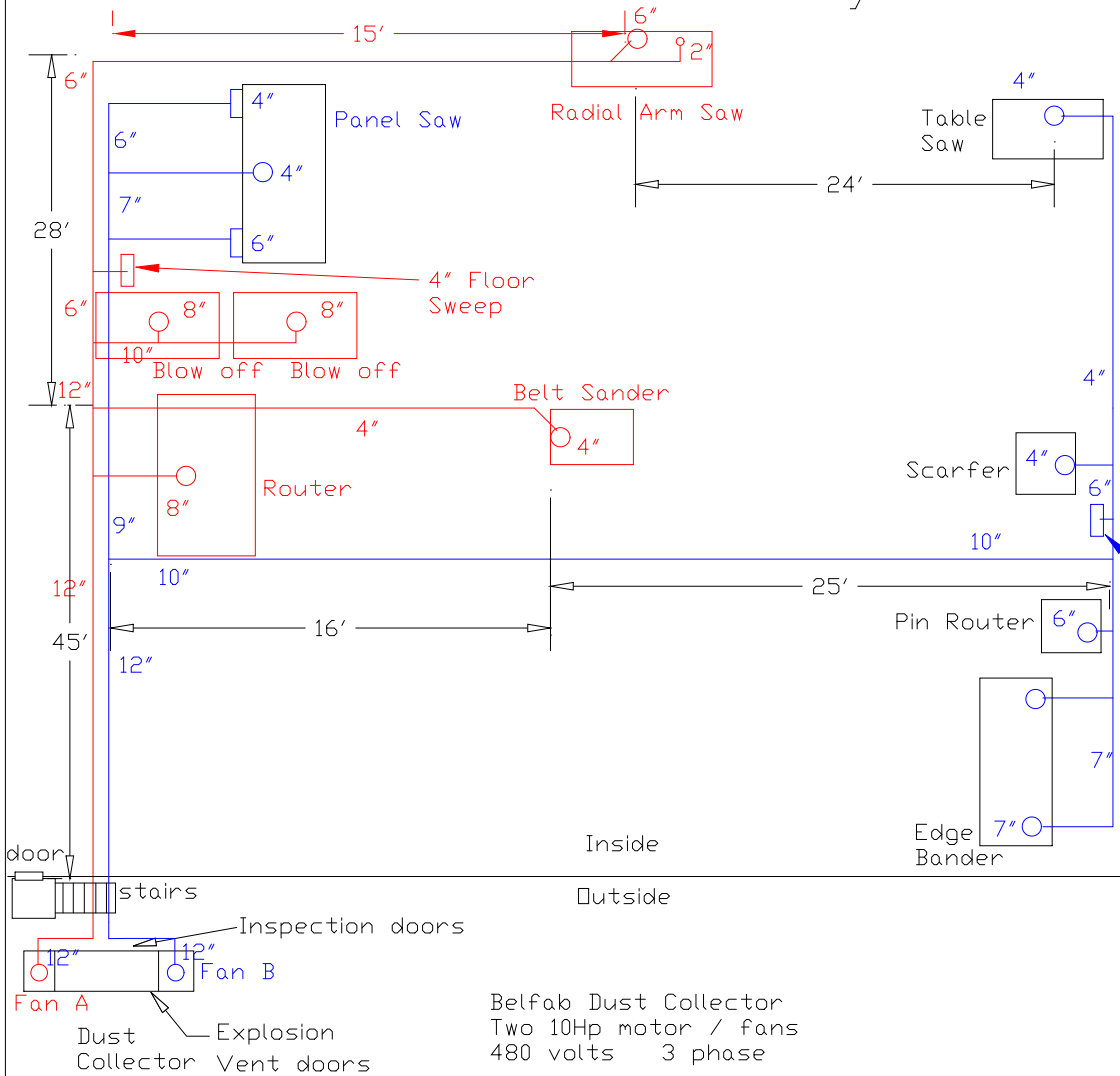


# Overview of Ductwork Layout for Project



Notes:  
 A) Bottom of ductwork off of floor is 10' 6"  
 B) The Router and Blow off hoods will have an automatic blastgate so one will be open while the other is closed.  
 C) All other machines will have a manual blastgate for air flow adjustment.

Industrial Air Quality		<b>IAQ</b>
102 AG DRIVE Youngsville, NC 27596		
P# 919-562-7181 F# 919-562-7182		
Project: WINCO		
Drawing: Ductwork layout		
Date: 9/15/08		Drawn by: RAV
Revision: 9/30/08		