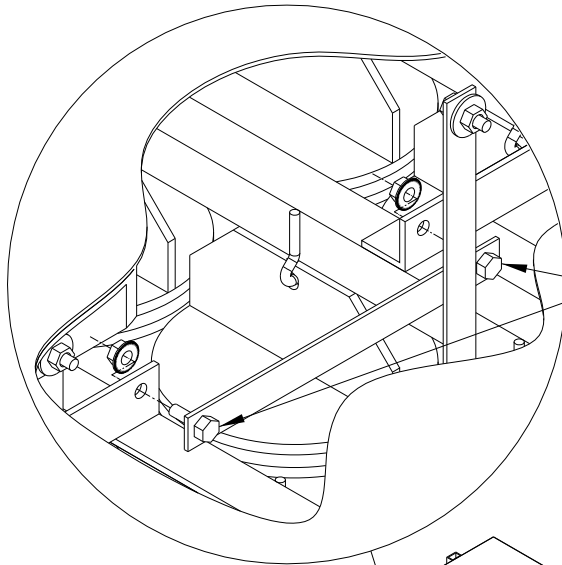
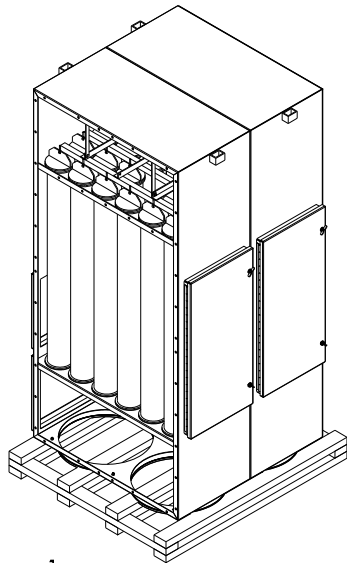


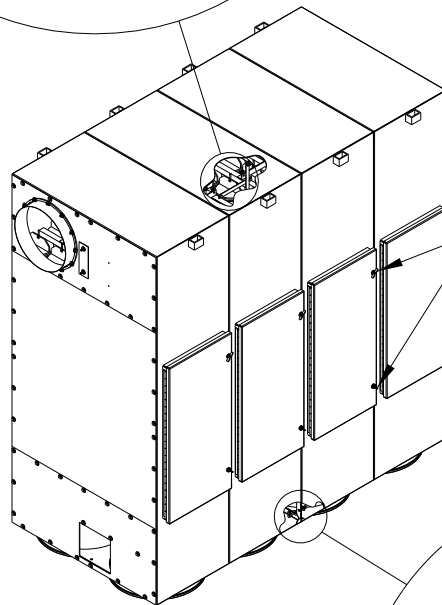
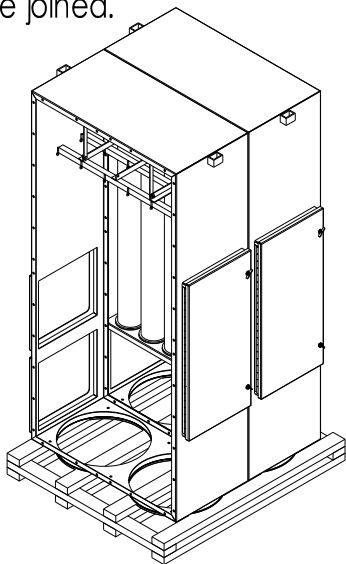
# INSTRUCTIONS: Assembling two sections of filtering modules shipped separately. As shown for a 4 modules dust collector.

Units received on a pallette.



**Step 3:**  
Assemble the two shakers racks using the shaker rack link bar and the fastners provided. Note that the bolts are welded to the link bar.

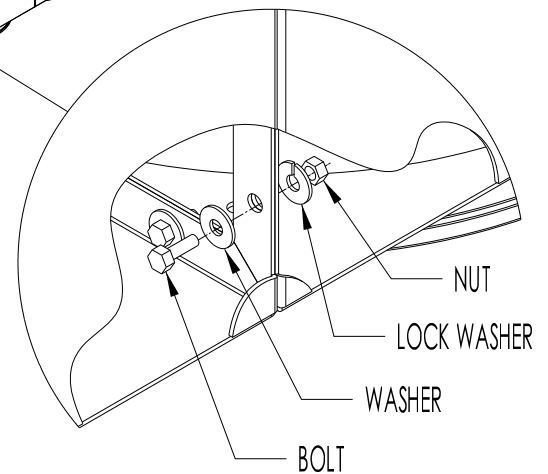
**Step 1:**  
Remove all of the filter bags on the first module to be joined.



**Step 2:**  
Remove wing nuts on modules to be joined and open the inspection doors to gain access to the interior.

**Step 4:**  
Assemble the two sections of filtering modules using the fasteners provided (41 places).

**Step 5:**  
Re-install filter bags removed. close inspection doors with the wing nuts.



**Notes:**

- 1) All bolts are 3/8-16 unc x 1 1/2" long.
- 2) See drawing 0482-BIB-00000 for the remaining assembly instructions.

This drawing and all it's contents are the exclusive property of PYRADIA. It is strictly forbidden to transmit, copy or use contrary to PYRADIA's interests except for it's original purpose. This drawing must be returned upon demand.

UNLESS OTHERWISE SPECIFIED :			CLIENT :	PROD. :	SCALE 1" = 1'	DRAWN BY : CB	DATE (A/M/J): 99/08/12	<b>PYRADIA</b>
ALL DIMENSIONS ARE IN INCHES			MODEL No. NBM			CHECKED BY :	DATE (A/M/J):	
DECIMALS	FRACTIONS	ANGULAR	DRAWING No.	REV.	APPROVED :	DATE (A/M/J):	99/08/12	SHIPPING
.XX +/- .05 .XXX +/- .010	+/- 1/16	+/- .5°	0482-AIA-00000-**					INSTRUCTIONS