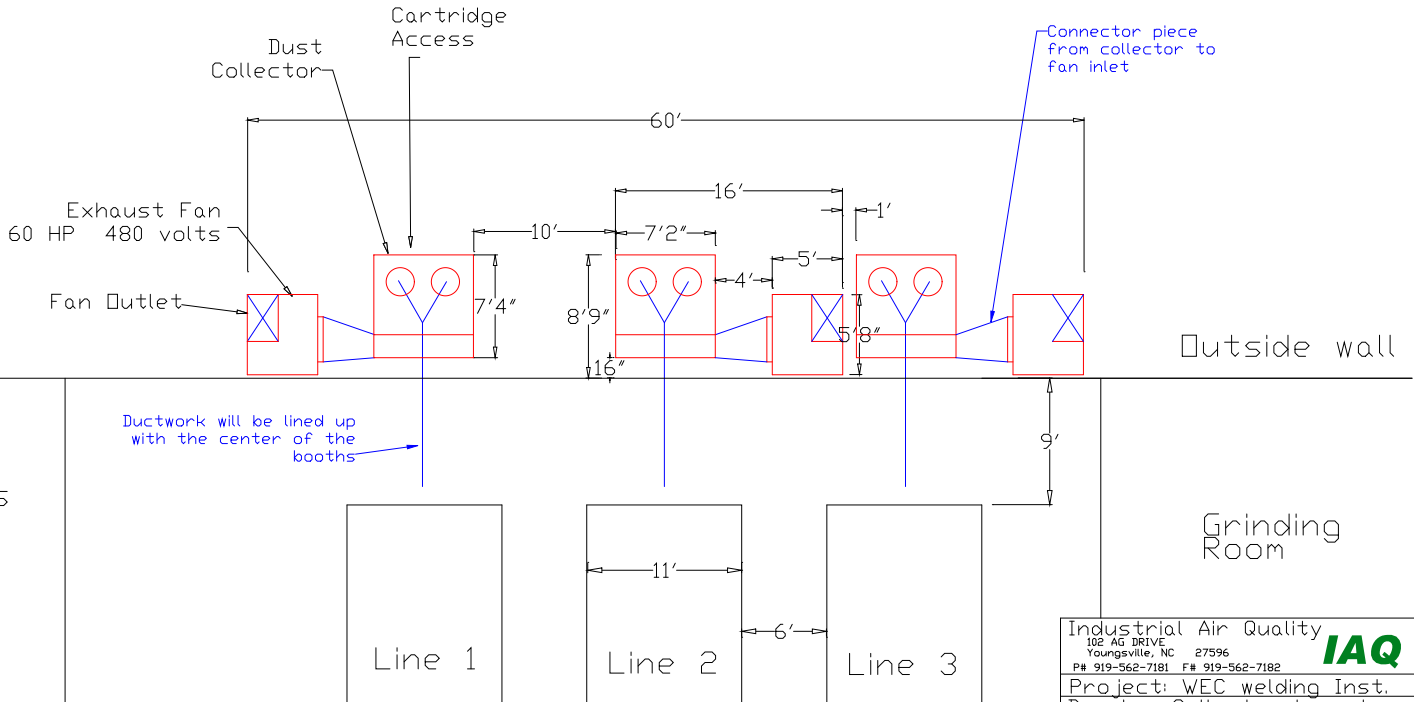


Collector / Fan Layout Plan View

Note:
 A) The return air ductwork will run vertically from the fan outlet then over and into the building.
 B) Pad size is 9' x 64'

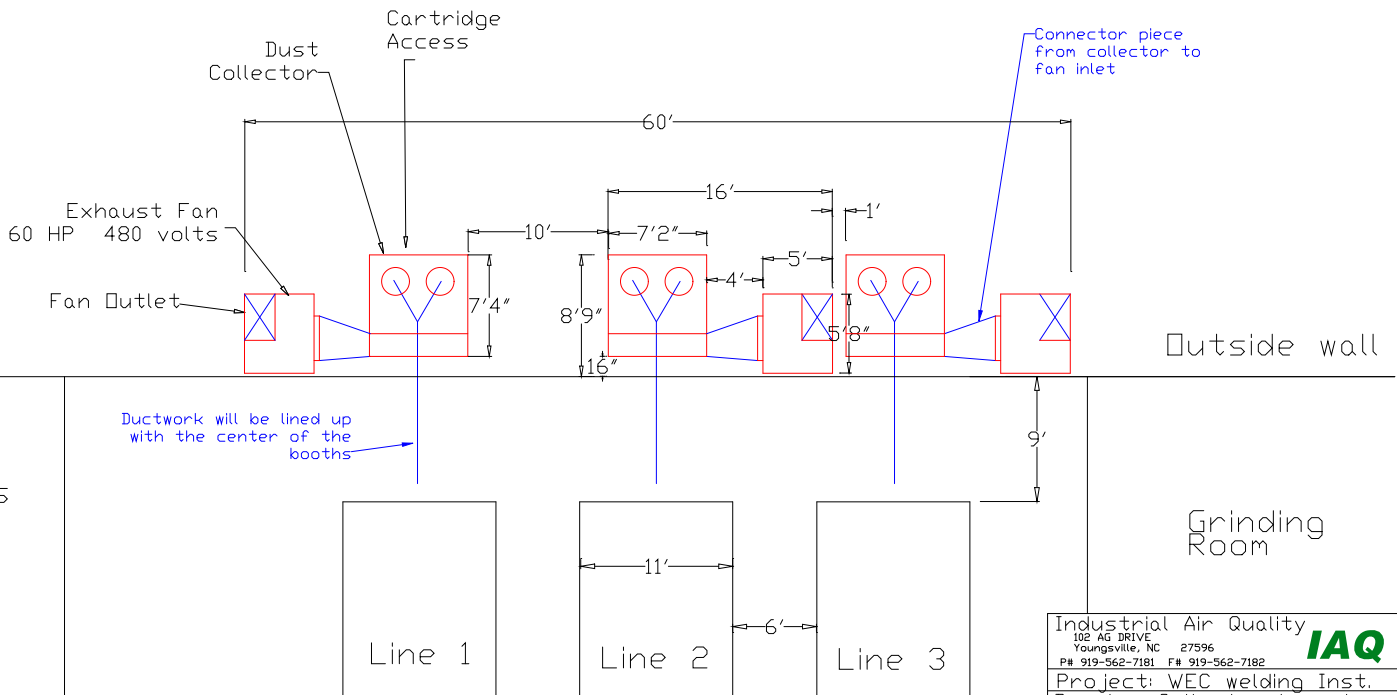


Ductwork will be lined up with the center of the booths

| | |
|-------------------------------|-----------------|
| Industrial Air Quality | IAQ |
| 102 AG DRIVE | 27596 |
| Youngsville, NC | |
| PH 919-562-7181 | FX 919-562-7182 |
| Project: WEC welding Inst. | |
| Drawing: Collector layout | |
| Date: 1/26/09 Drawn by: RAV | |
| Sheet No: | |

Collector / Fan Layout Plan View

Note:
 A) The return air ductwork will run vertically from the fan outlet then over and into the building.
 B) Pad size is 9' x 64'



Class Room

Outside wall

Grinding Room

Line 1

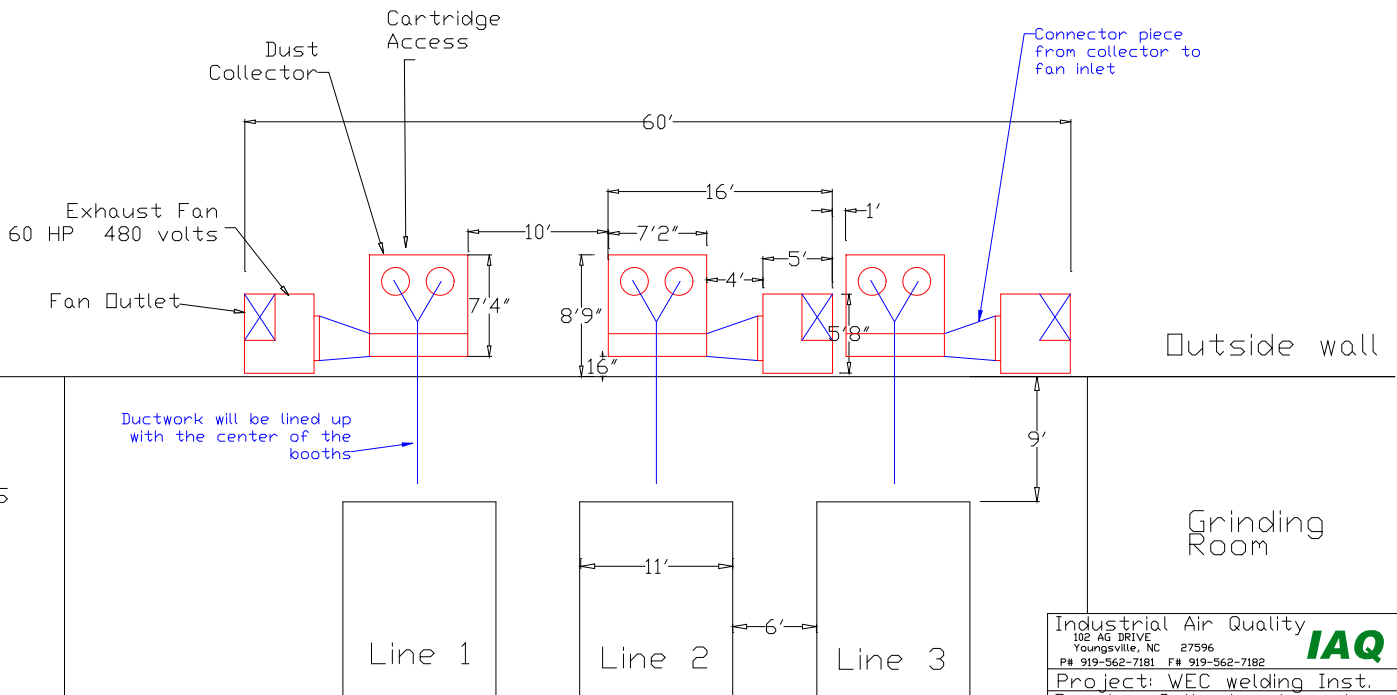
Line 2

Line 3

| | |
|--|------------|
| Industrial Air Quality 102 AG DRIVE Youngsville, NC 27596 PH 919-562-7181 FH 919-562-7182 | IAQ |
| Project: WEC welding Inst. | |
| Drawing: Collector layout | |
| Date: 1/26/09 Drawn by: RAV | |
| Sheet No: | |

Collector / Fan Layout Plan View

Note:
 A) The return air ductwork will run vertically from the fan outlet then over and into the building.
 B) Pad size is 9' x 64'



Class Room

Grinding Room

| | |
|--|------------|
| Industrial Air Quality 102 AG DRIVE Youngsville, NC 27596 PH 919-562-7181 FH 919-562-7182 | IAQ |
| Project: WEC welding Inst. | |
| Drawing: Collector layout | |
| Date: 1/26/09 Drawn by: RAV | |
| Sheet No: | |