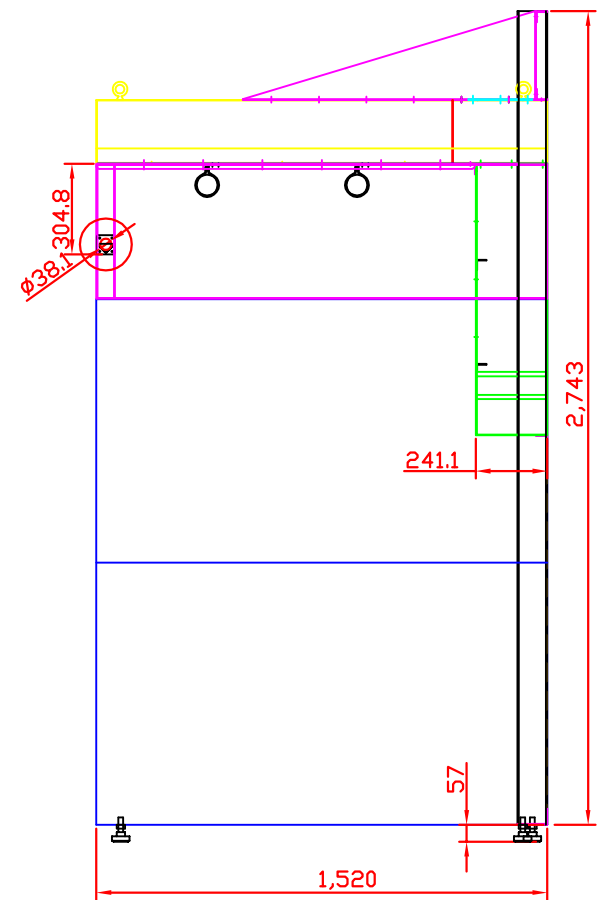
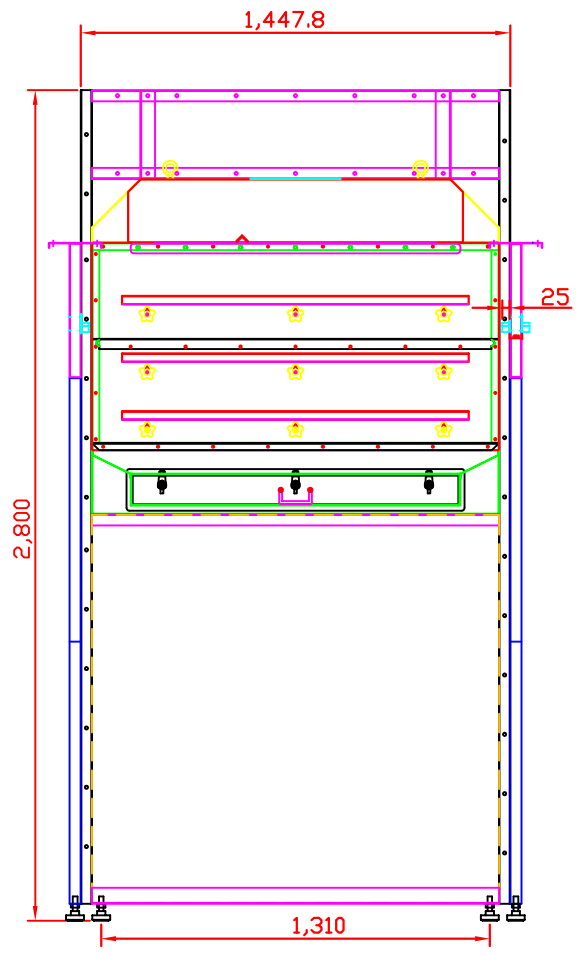
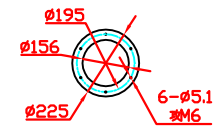
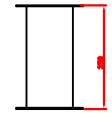
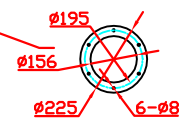
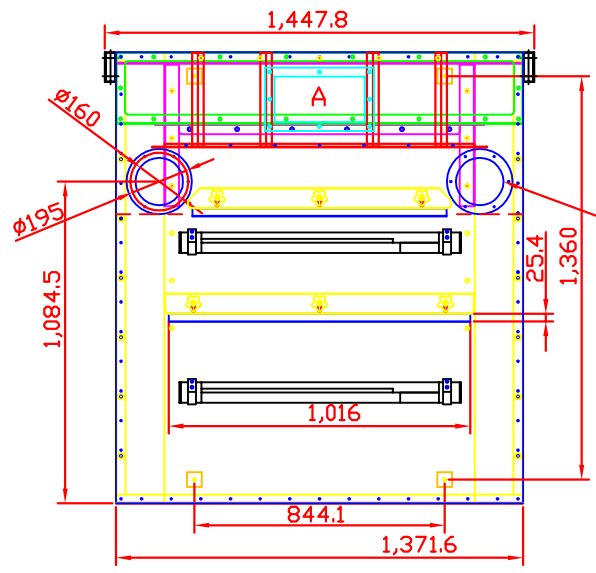
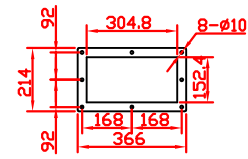
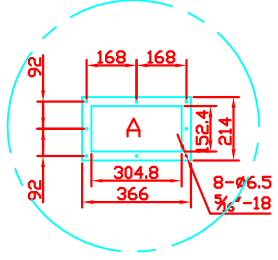


DO NOT SCALE IF IN DOUBT ASK



Revisions			
Rev	Description	Date	Approved



OSKAR AIR PRODUCTS, INC. Sales Department
 95 Cypress Drive (919) 570-2862
 Youngsville, NC 27596 sales@oskarsales.com

Drawn by:	Date	Name
Checked by:	XX-XX-XX	XXXXX

Part Number:
PART NO.

Title:
BH-10-1

This drawing is confidential and is the exclusive property of Oskar Air Products. No unauthorized use/copy or disclosure is to be made and it is returned whenever required.

Size	Scale	Drawing Number:
A	1 = 25	BH-10