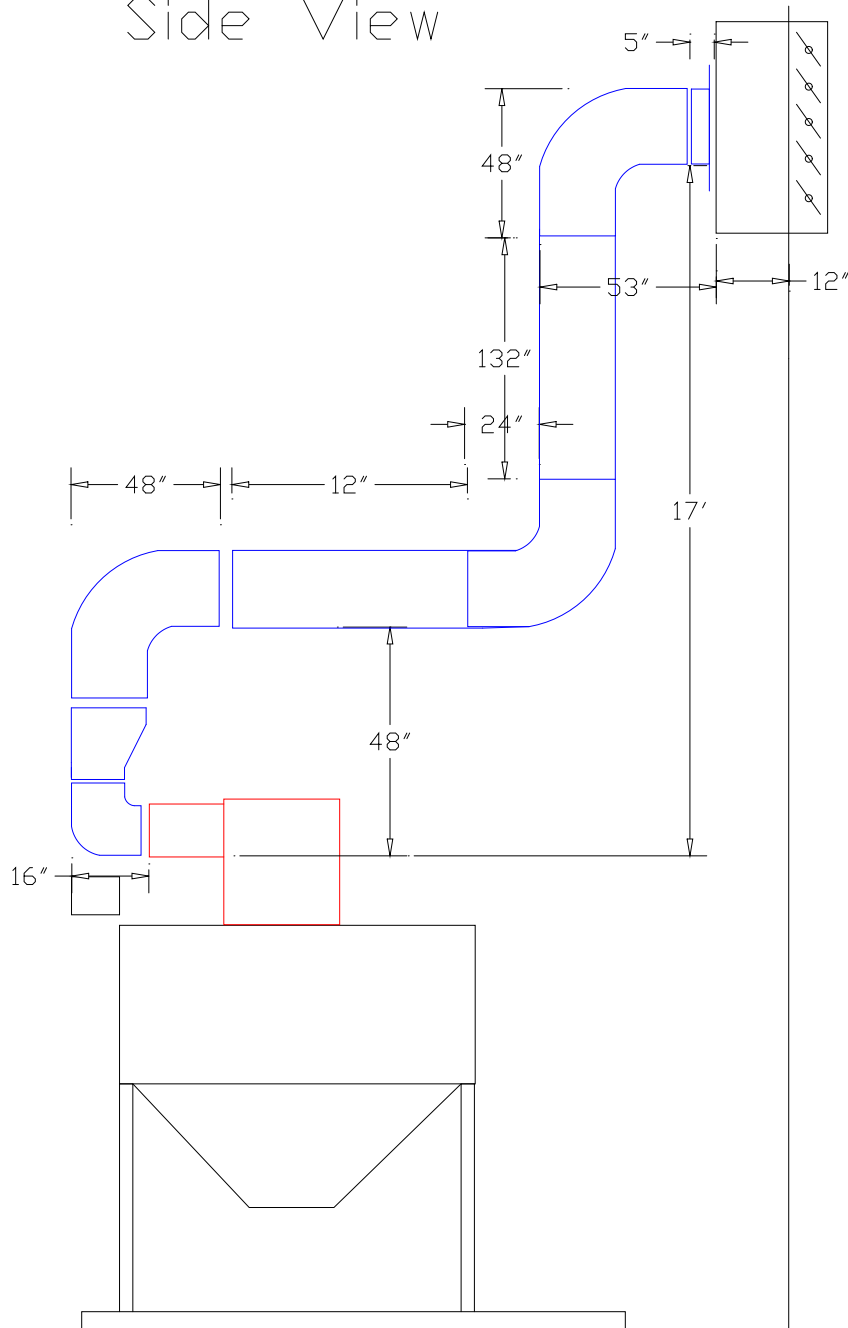


Return Ductwork Layout

Side View



Industrial Air Quality		IAQ
102 AG DRIVE Youngsville, NC 27596		
P# 919-562-7181 F# 919-562-7182		
Project: WEC welding school		
Drawing: Return Duct layout		
Date: 5/1/09	Drawn by: RAV	
Sheet No:		