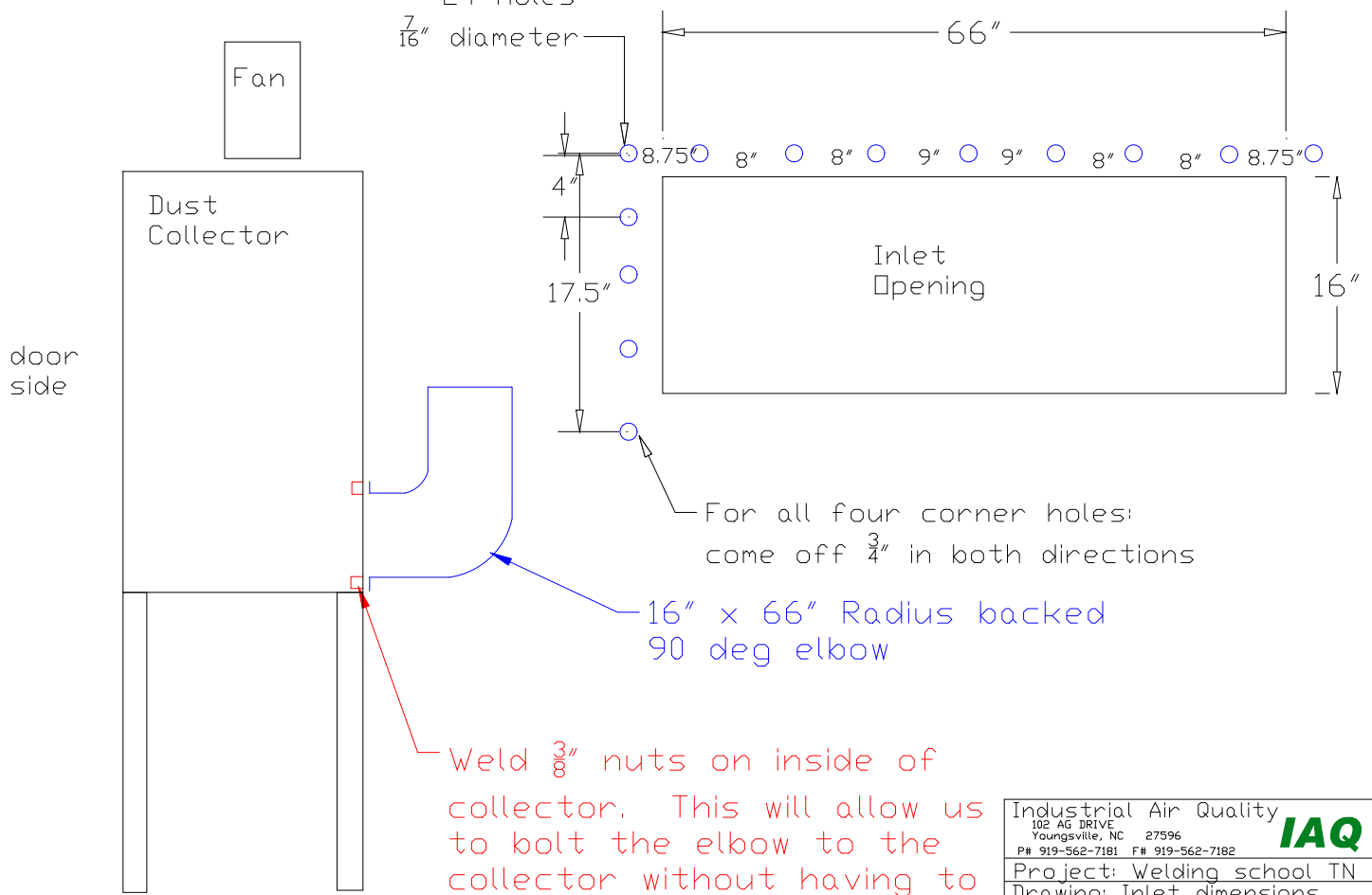


# Inlet Dimensions for Oskar collector

Side View

24 Holes  
 $\frac{7}{16}$ " diameter



For all four corner holes:  
 come off  $\frac{3}{4}$ " in both directions

16" x 66" Radius backed  
 90 deg elbow

Weld  $\frac{3}{8}$ " nuts on inside of  
 collector. This will allow us  
 to bolt the elbow to the  
 collector without having to  
 go inside the collector.

Industrial Air Quality		<b>IAQ</b>
102 AG DRIVE Youngsville, NC 27596		
P# 919-562-7181	F# 919-562-7182	
Project: Welding school TN		
Drawing: Inlet dimensions		
Date: 2/26/09	Drawn by: RAV	
Sheet No:		