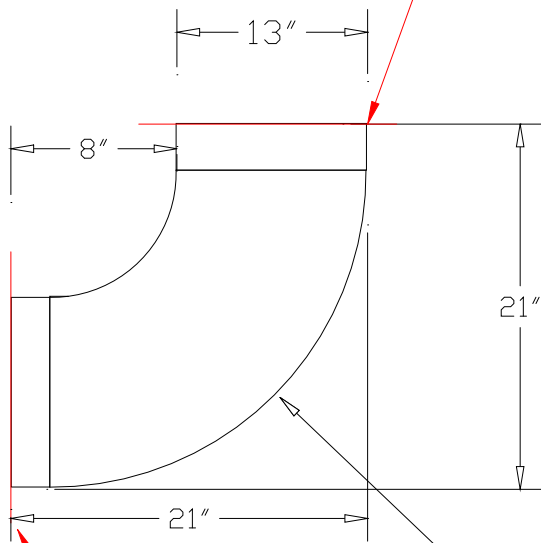


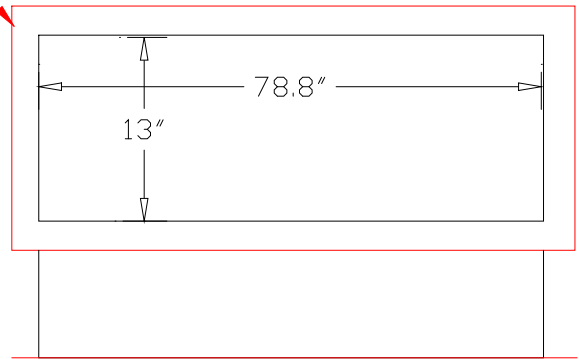
Hood for Booth floor

Side View



Angle iron flange.
Match bolt pattern on the
duct collector.

Plan View



Radius backed elbow

Angle iron flange.
Match bolt pattern on the
duct collector.

Industrial Air Quality	
102 AG DRIVE Youngsville, NC 27596	
P# 919-562-7181 F# 919-562-7182	
Project: WEC Chat, TN	
Drawing: Inlet elbow	
Date: 3/5/09	Drawn by: RAV
Sheet No:	

