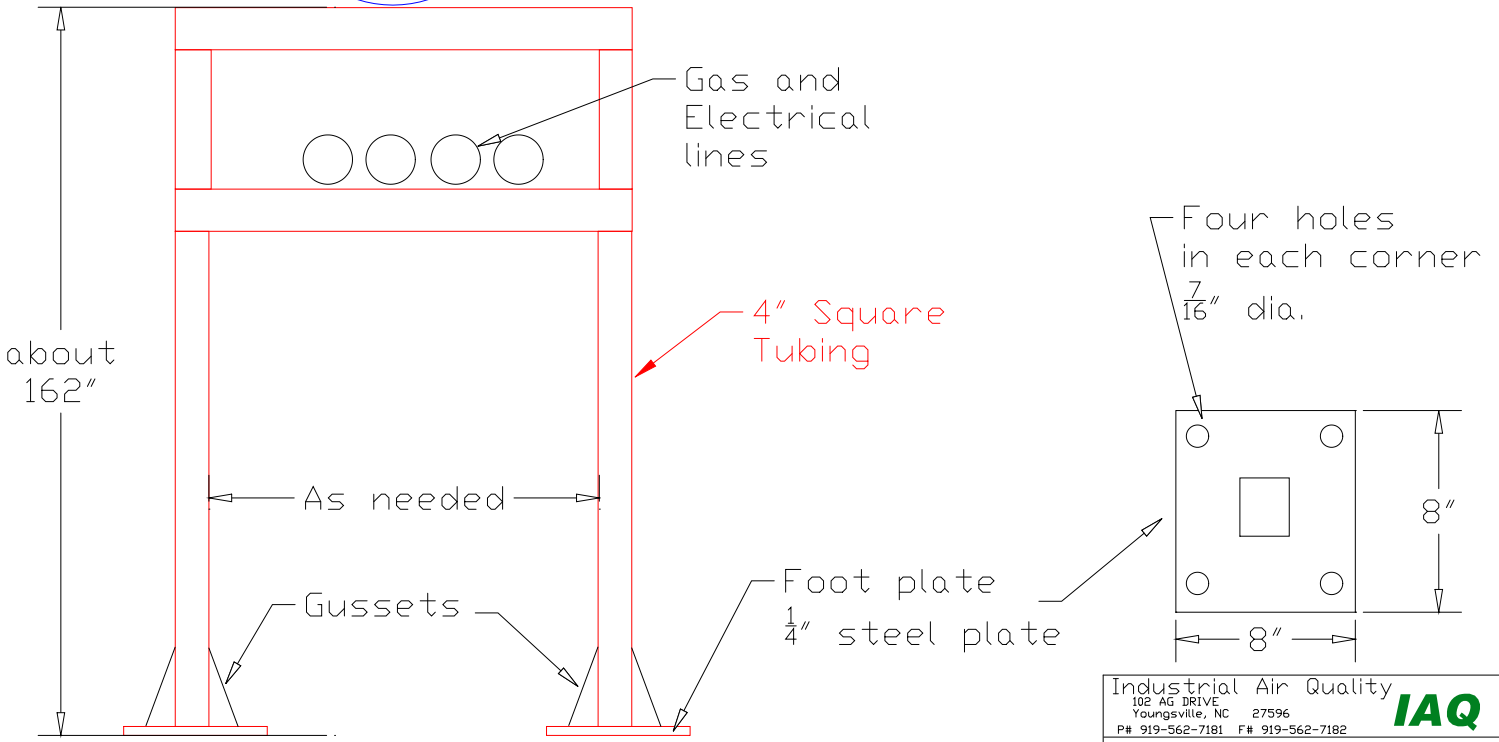


# Ductwork Stand

30"  
Diameter  
Ductwork  
from booths



Industrial Air Quality	
102 AG DRIVE	
Youngsville, NC 27596	
P# 919-562-7181	F# 919-562-7182
Project: WEC welding school	
Drawing: Ductwork Stand	
Date: 4/2/09	Drawn by: RAV
Sheet No:	

