

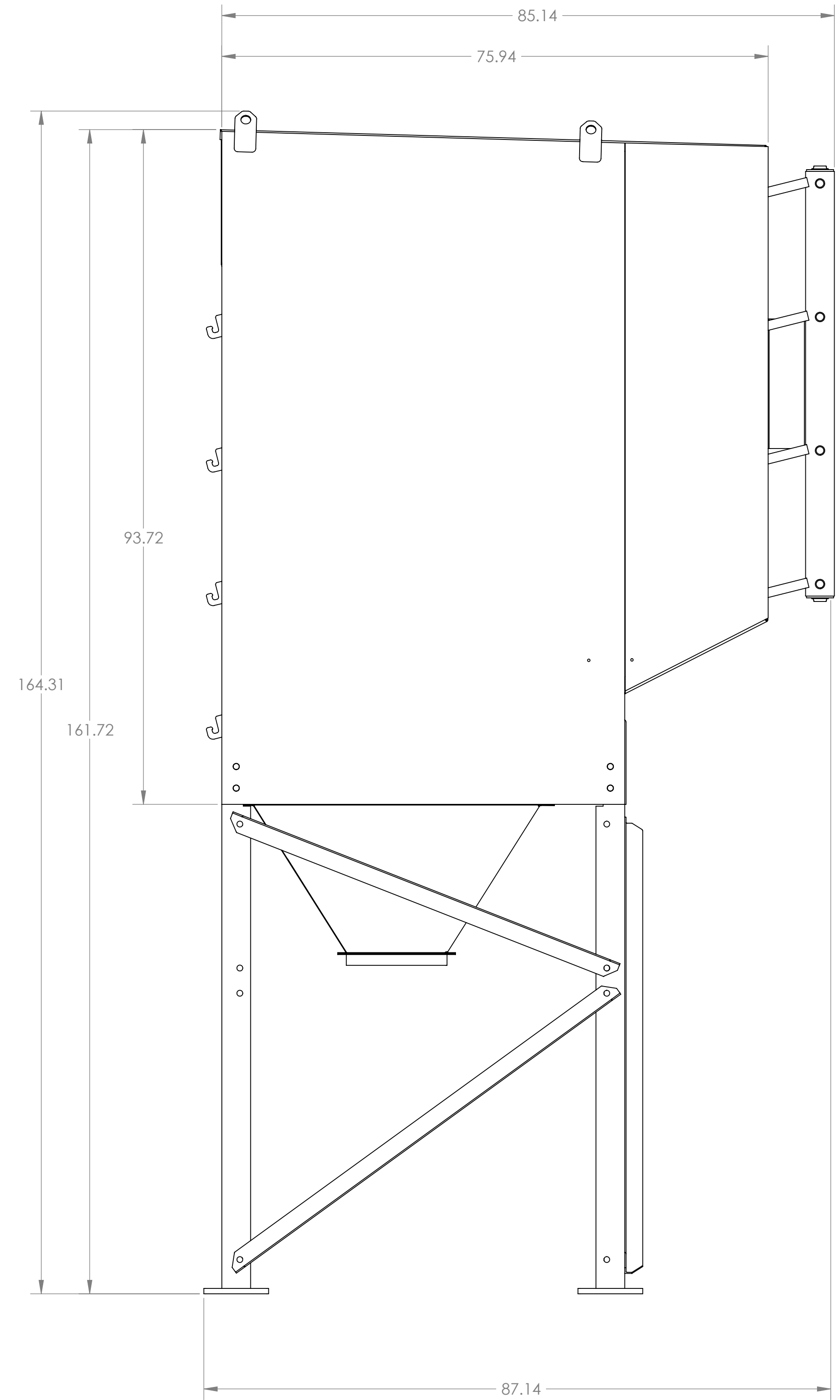
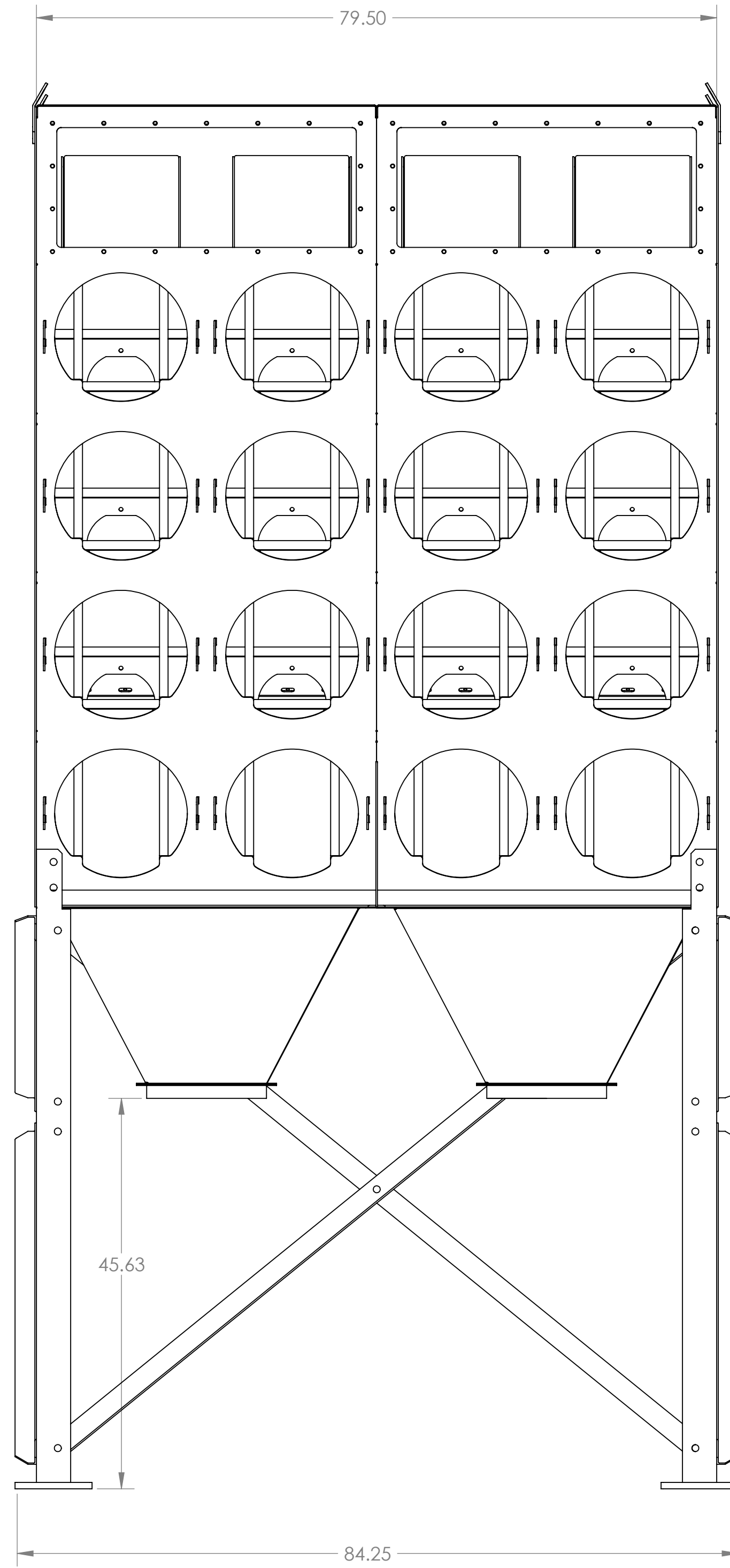
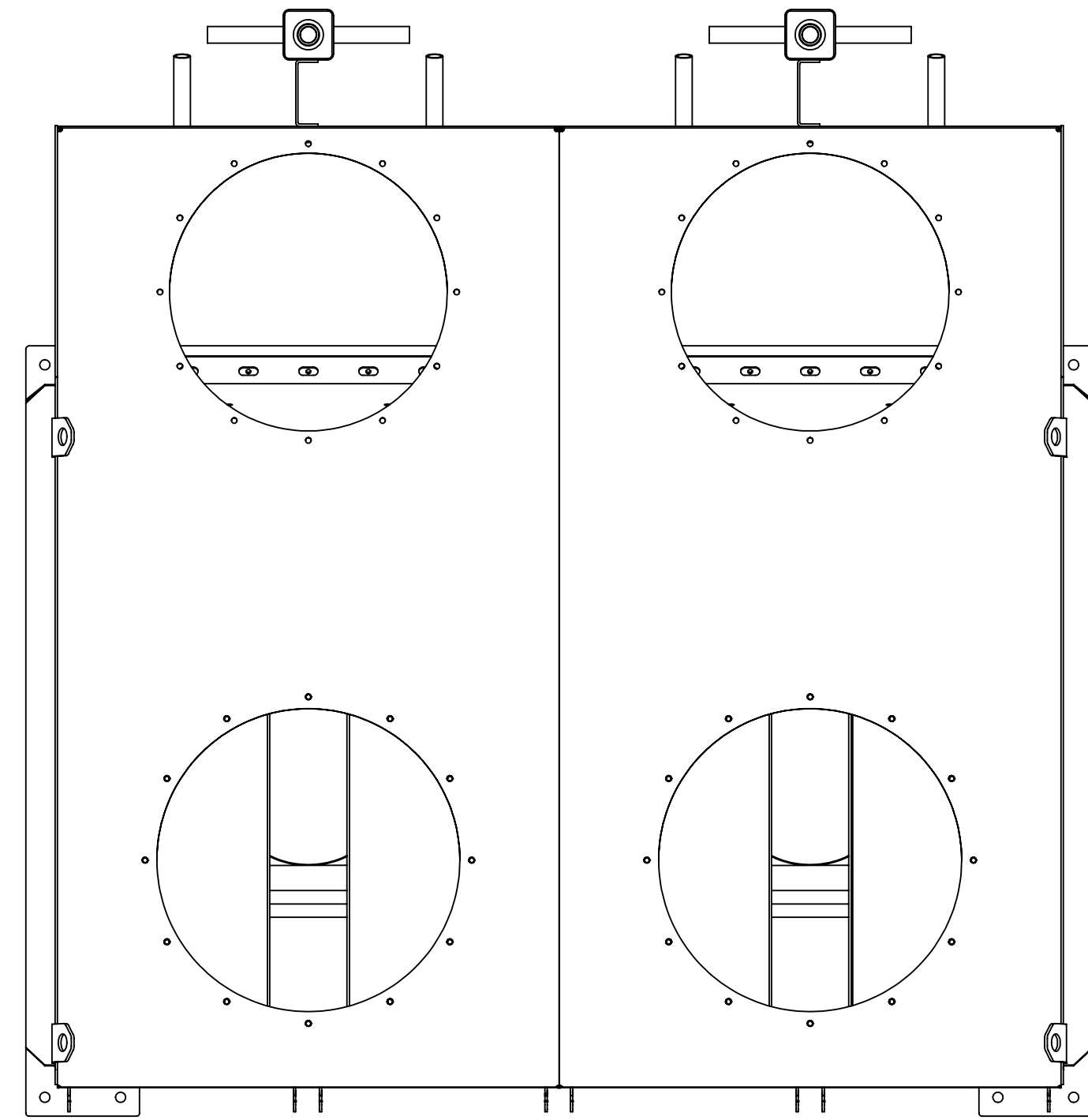
ACT 4-32 SPECS

NUMBER OF FILTERS... ...32  
 SQ FT PER FILTER... ...254 SQ FT  
 FILTER DIMENSIONS... ...13.8" X 26"  
 NUMBER OF VALVES... ...16  
 RECOMMENDED AIR PRESSURE... ...90-100 PSI  
 APPROXIMATE AIR CONSUMPTION... ...24 CFM WHEN PULSING 2 DIAPHRAGMS EVERY 10 SECONDS CONTINUOUSLY

THE INFORMATION IN THIS DOCUMENT IS THE SOLE PROPERTY OF ACT MANUFACTURING, LLC. ANY REPRODUCTION IN PART OR WHOLE WITHOUT THE WRITTEN PERMISSION OF ACT MANUFACTURING, LLC IS PROHIBITED.

A.C.T.  
 13310 Ind Pk Blvd  
 Plymouth, MN 55441  
 (800)-422-1316

		CUT / SAW / SHEAR	X	TOLERANCES UNLESS SPECIFIED	
		PUNCH / DRILL	X	ANGLES +/- .1°	
		FORM	X	DECIMAL .00 ± .03 .000 ± .010	
		WELD	X	FRACTIONS +/- 1/16	
		PAINT	X	WELDED PART LOC. < 6" = +/- 1/16 > 6" = +/- 1/8	
				ALL DIMENSIONS IN INCHES UNLESS OTHERWISE SPECIFIED	
XX-XX-XX	X	X	X	ISSUE	A
DATE	BY	ECO#		DESCRIPTION	REV
				SCALE	1:6
				SHEET	1 OF 1
				DRAWING NUMBER	C4-32 ASSY
				TITLE	X
				MATERIAL	SEE BOM

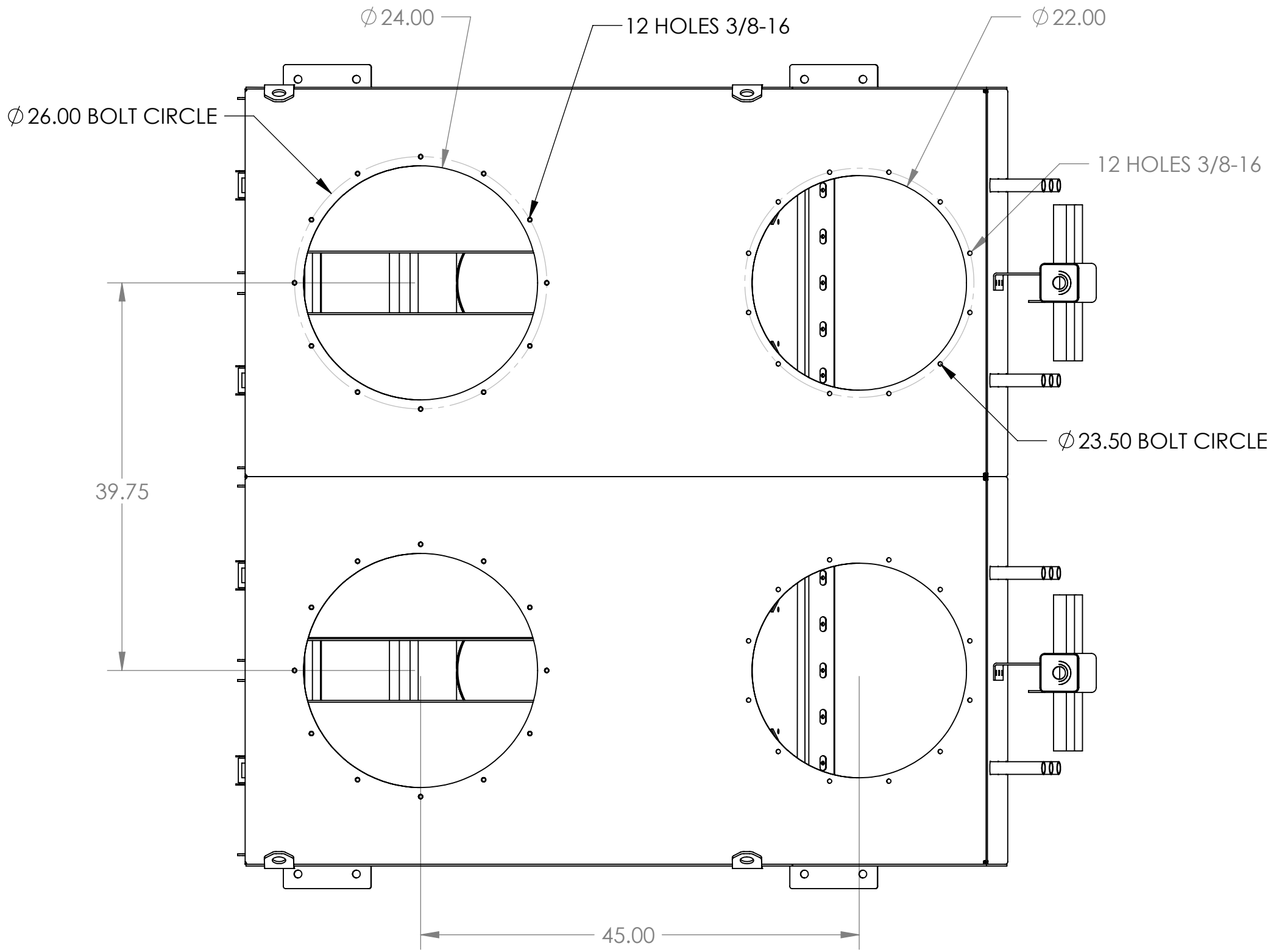


DATE	BY	ECO#	ISSUE	DESCRIPTION	REV	TOLERANCES UNLESS SPECIFIED	SCALE	SHEET	DRAWING NUMBER
XX-XX-XX	X	X	ISSUE		A	ALL DIMENSIONS IN INCHES UNLESS OTHERWISE SPECIFIED	1:12	1 OF 1	C4-32 ASSY

CUT / SAW / SHEAR PUNCH / DRILL FORM WELD PAINT	X X X X X	TOLERANCES UNLESS SPECIFIED ANGLES +/- .1° DECIMAL .00 ± .03 .000 ± .010 FRACTIONS +/- 1/16 WELDED PART LOC. < 6" = +/- 1/16 > 6" = +/- 1/8	TITLE MATERIAL
---	-----------------------	--	-------------------

THE INFORMATION IN THIS DOCUMENT IS THE SOLE PROPERTY OF ACT MANUFACTURING, LLC. ANY REPRODUCTION IN PART OR WHOLE WITHOUT THE WRITTEN PERMISSION OF ACT MANUFACTURING, LLC IS PROHIBITED.  
 A.C.T.  
 13310 IND PK BLVD  
 PLYMOUTH, MN 55441  
 (800)-422-1316



VIEW TOP INLET