

UNIT WEIGHT 2847 lbs
WEIGHT DOES NOT INCLUDE FILTERS AND CONTROL

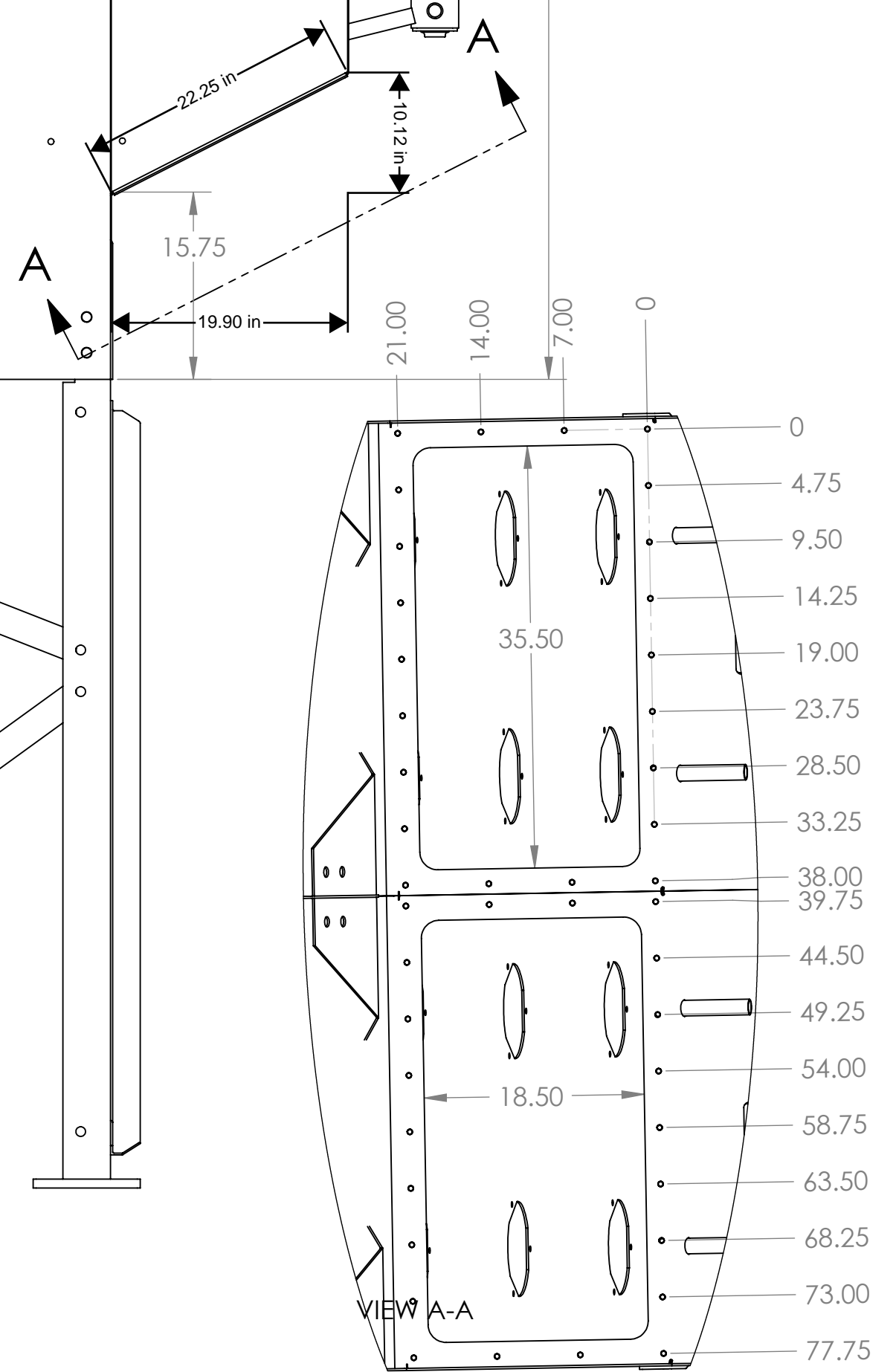
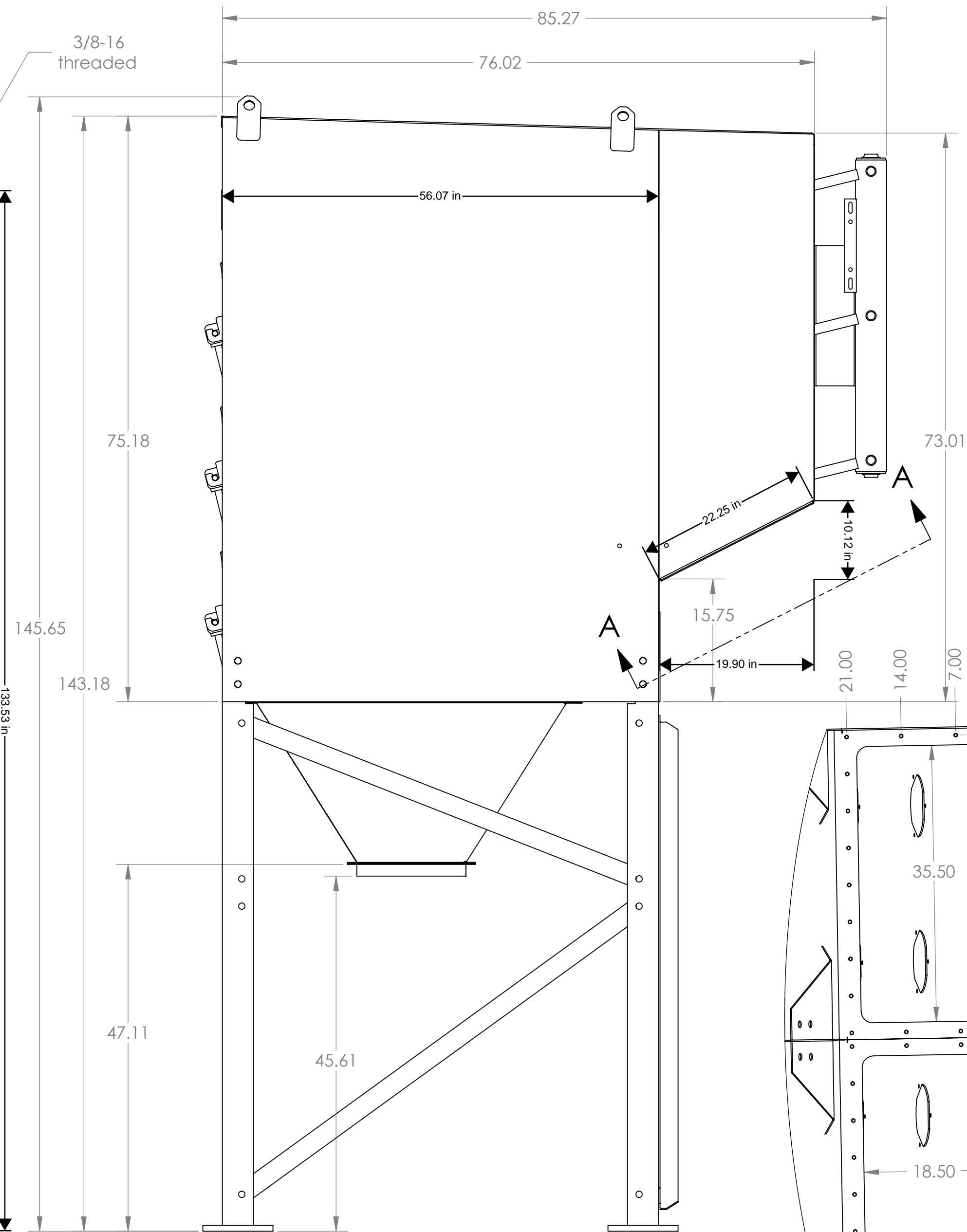
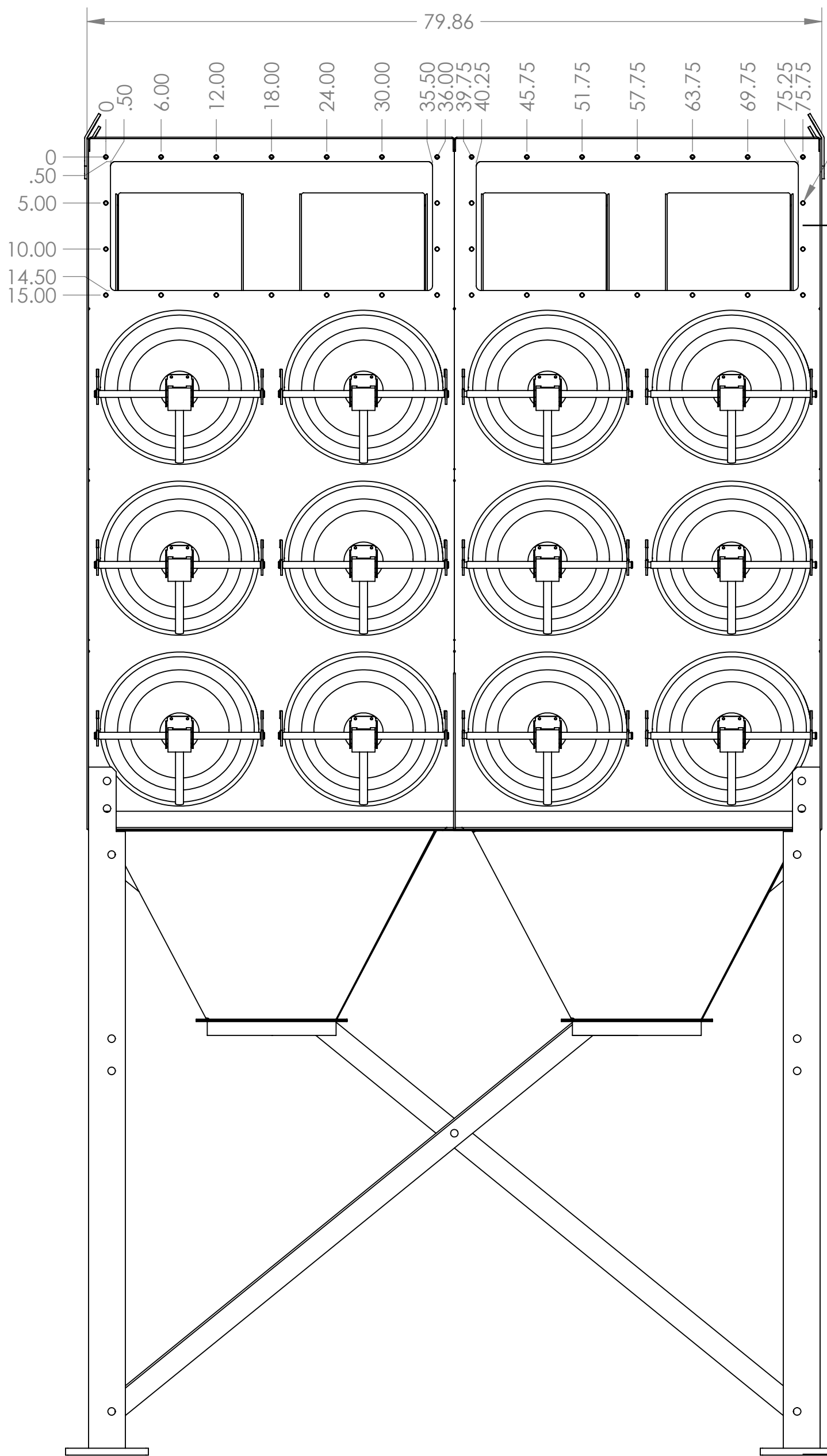
ACT 3-24 SPECS

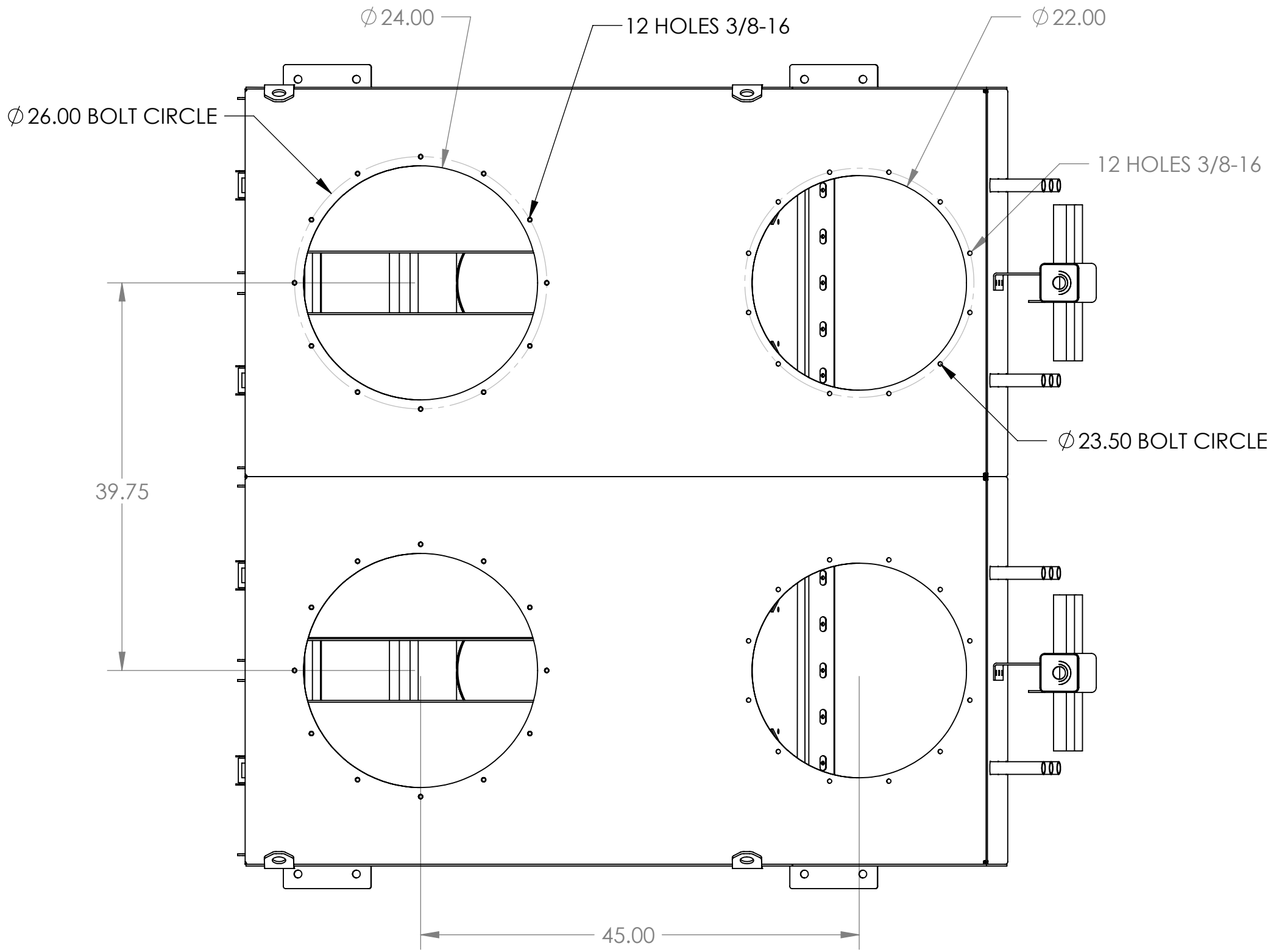
NUMBER OF FILTERS...	...24
SQ FT PER FILTER...	...254 SQ FT
FILTER DIMENSIONS...	...13.8" X 26"
NUMBER OF VALVES...	...12
RECOMMENDED AIR PRESSURE...	...90-100 PSI
APPROXIMATE AIR CONSUMPTION...	...24 CFM WHEN PULSING 2 DIAPHRAGMS EVERY 10 SECONDS

THE INFORMATION IN THIS DOCUMENT IS THE SOLE PROPERTY OF ACT MANUFACTURING, LLC. ANY REPRODUCTION IN PART OR WHOLE WITHOUT THE WRITTEN PERMISSION OF ACT MANUFACTURING, LLC IS PROHIBITED.

ACT MFG
13310 IND PK BLVD
PLYMOUTH, MN 55441
(800)-422-1316

SAW / CUT / SHEAR		TOLERANCES UNLESS OTHERWISE SPECIFIED		ACT MFG 13310 IND PK BLVD PLYMOUTH, MN 55441 (800)-422-1316	
PUNCH / DRILL		ANGLES +/- 1°			
WELD		DECIMAL .00 ± .03 .000 ± .010			
PAINT		FRACTIONS +/- 1/16			
		WELDED PART LOC. < 6' = +/- 1/16 > 6' = +/- 1/8		TITLE COLLECTOR ASSY, C3-24	
		ALL DIMENSIONS IN INCHES UNLESS OTHERWISE SPECIFIED		MATERIAL SEE BOM	
02-01-08	DEH	X	ISSUE	A	SCALE 1:8
DATE	BY	ECO#	DESCRIPTION	REV	SHEET 1 OF 1
					DRAWING NUMBER C3-24 ASSY





VIEW TOP INLET