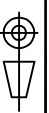
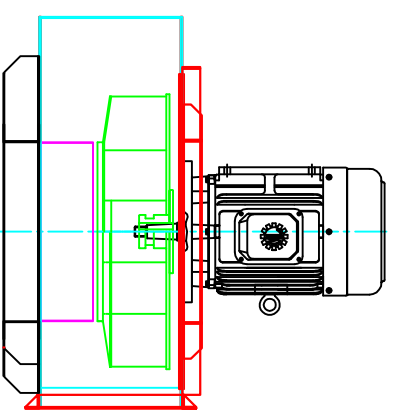
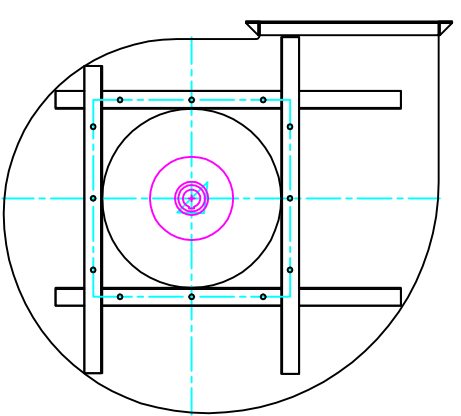
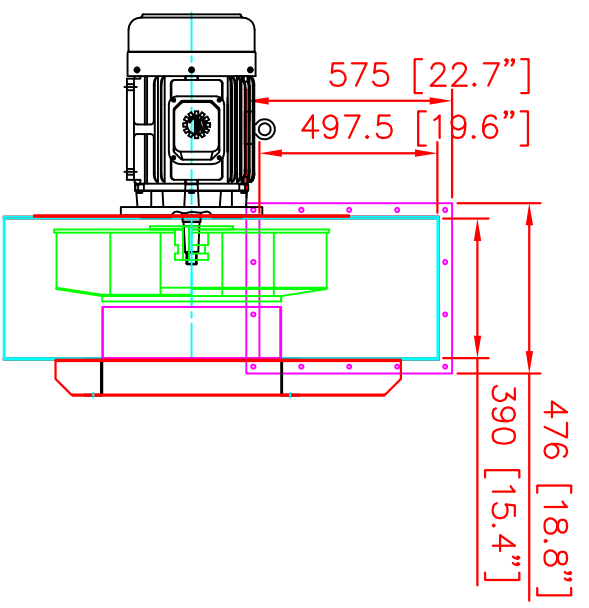
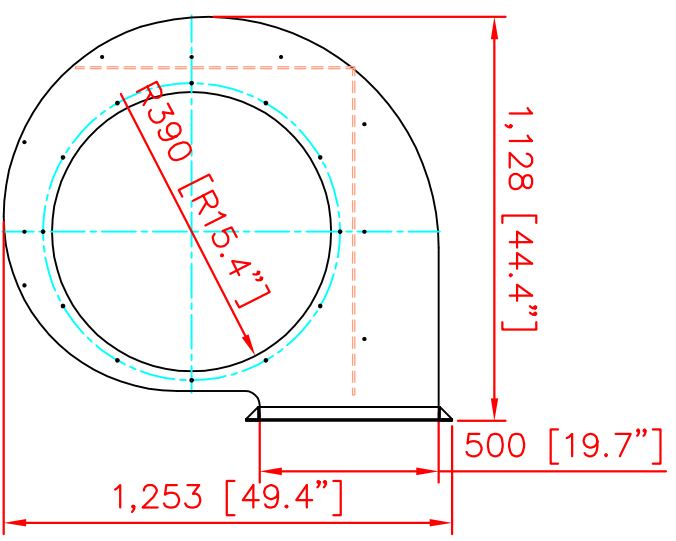


DO NOT SCALE IF IN DOUBT ASK



Revisions			
Rev	Description	Date	Approved



OSKAR AIR PRODUCTS, INC.  
 95 Cypress Drive  
 Youngsville, NC 27596

Sales Department  
 (919) 570-2862  
 sales@oskarsales.com

Drawn by:	XX-XX-XX	Date		Name	XXXXX	Part Number:	SDC-25X2-40	Title:	Blower Flange & Outlet
Checked by:								Size	A
This drawing is confidential and is the exclusive property of Oskar Air Products. No unauthorized use/copy or disclosure is to be made and it is returned whenever required.								Scale	1 = 1
								Drawing Number:	SV-5000-980316-01