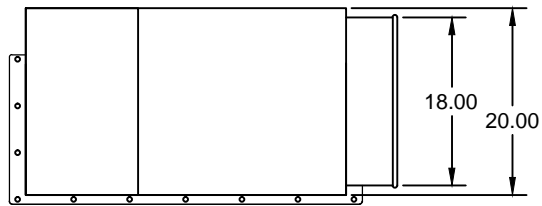
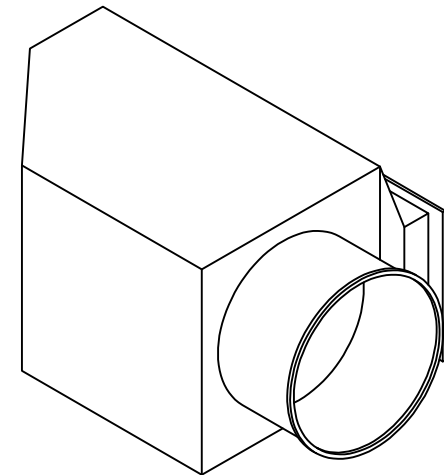
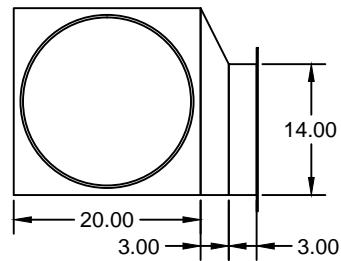


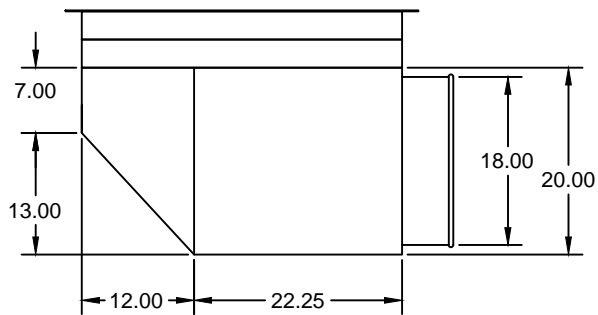
# Weatherford Side Inlet



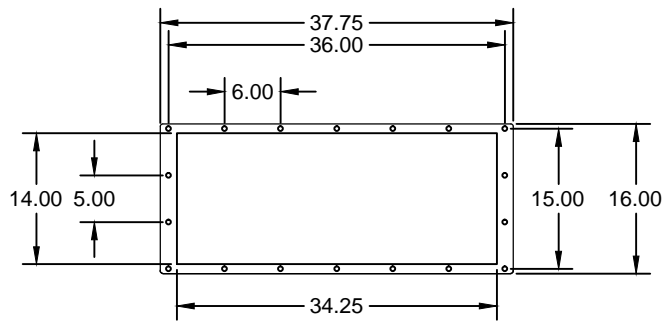
Side View



Isometric View



Top View



Flange View

Avani Environmental  
95 Cypress Drive  
Youngsville, NC 27596  
P# 919-570-2862 F# 919-570-2863

**Avani**

Project: Weatherford - Plasma Table

Drawing: Side Inlet - SDC-AT-4-16

Date: 10/17/13

Drawn by: MDT

Sheet No: 1

Rev.: 0