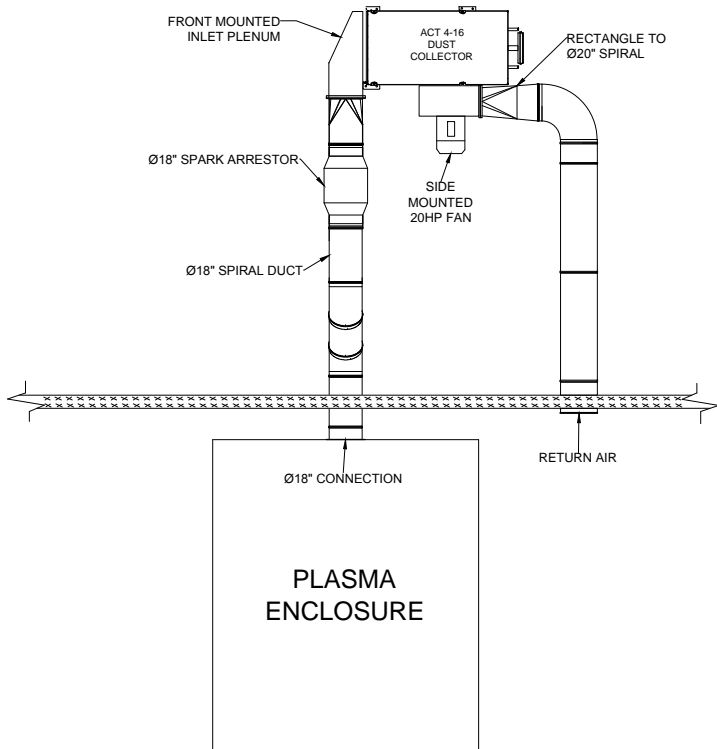
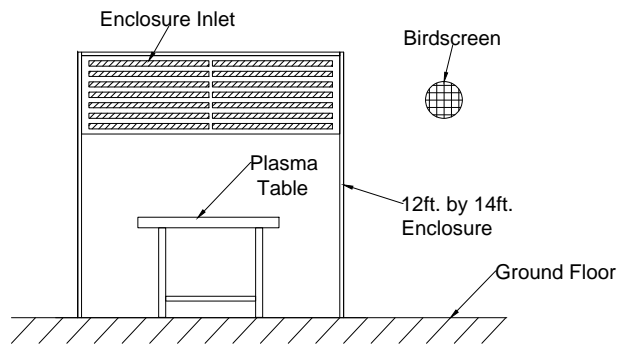


Weatherford - Plasma Table Duct Layout



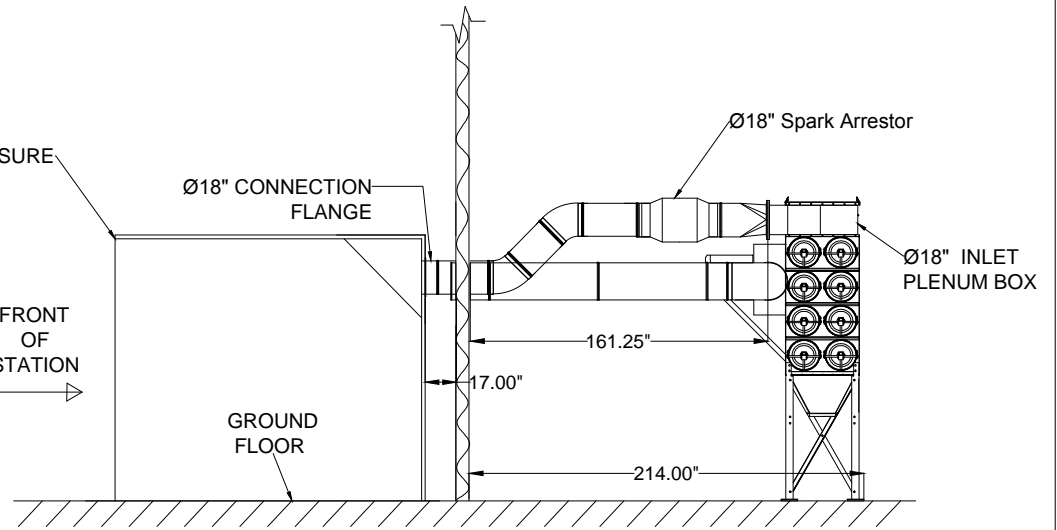
TOP VIEW



FRONT VIEW

12' BY 14' ENCLOSURE

FRONT OF STATION
→



SIDE VIEW

NOTES:

1. DUCTWORK CONNECT TO ACT-4-16 WITH A 5800 CFM FAN
2. DISCHARGE OUT OF FAN INTO ROOM
3. OVERHEAD CRANE RUNS AT 15'

Avani Environmental Intl. Inc.
95 Cypress Drive
Youngsville, NC 27596
P# 919-488-2862 F# 919-488-2863

Avani

Project: WEATHERFORD
Drawing: 12' BY 14' ENCLOSURE

Date: 8/13/2013 Drawn by: MDT

Sheet No: 1 OF 1