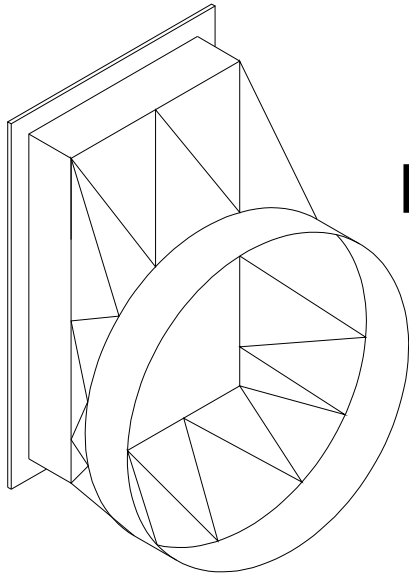
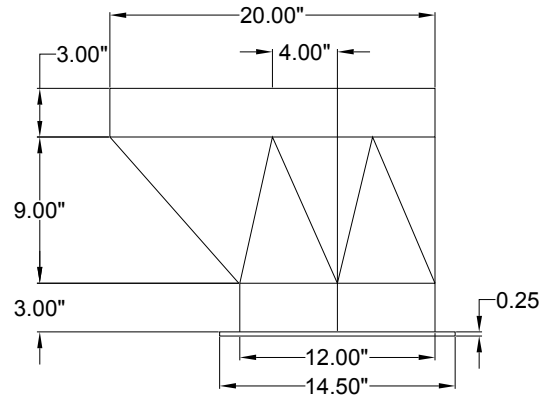


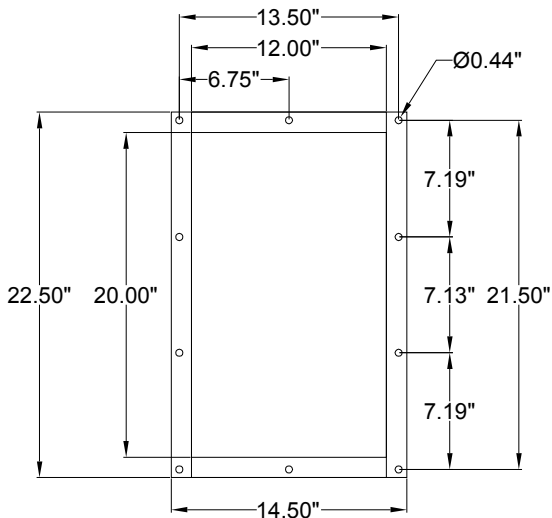
SDC-AT-4-16 Exhaust Transition



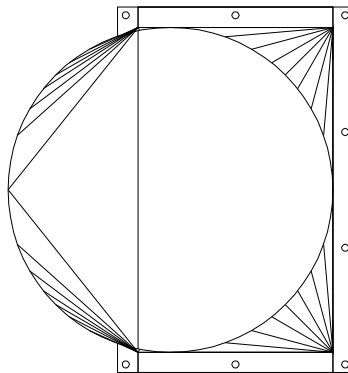
Isometric View



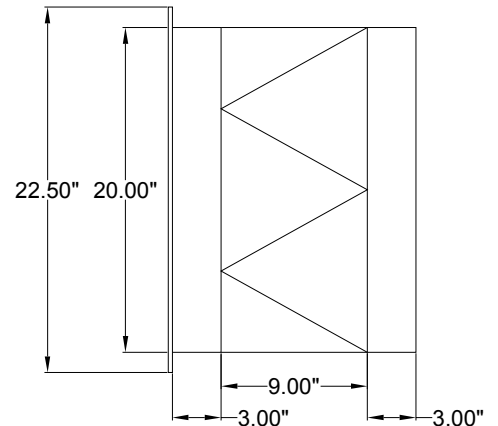
Side View



Flanged View



Front View



Side View

Avani Environmental
95 Cypress Drive
Youngsville, NC 27596
P# 919-570-2862 F# 919-570-2863

Avani

Project: Weatherford - SDC-AT-4-16

Drawing: Exhaust Transition

Date: 11/7/13

Drawn by: MDT

Sheet No: 1

Rev: 1