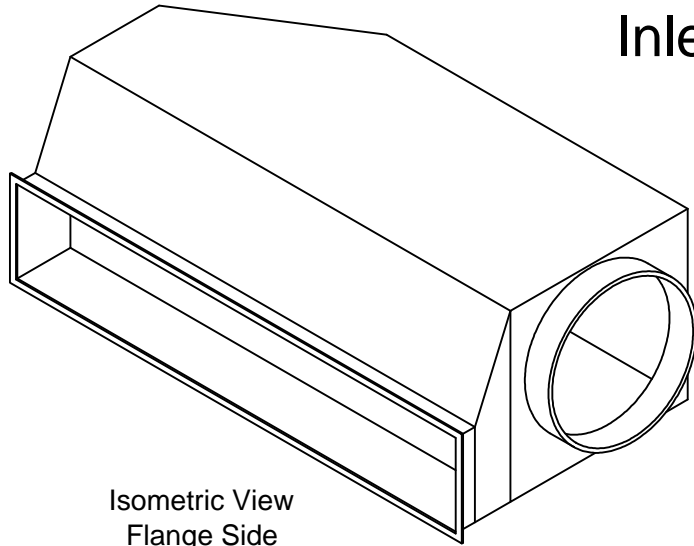
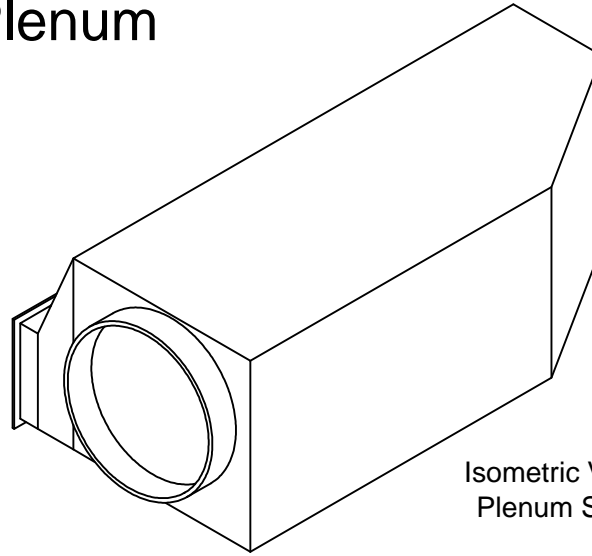


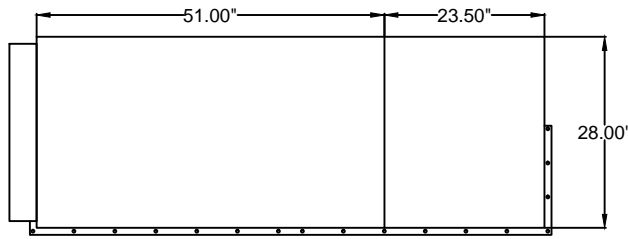
SDC-AT-4-32 Inlet Plenum



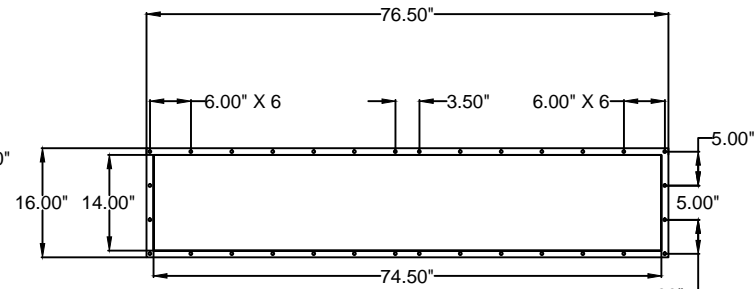
Isometric View
Flange Side



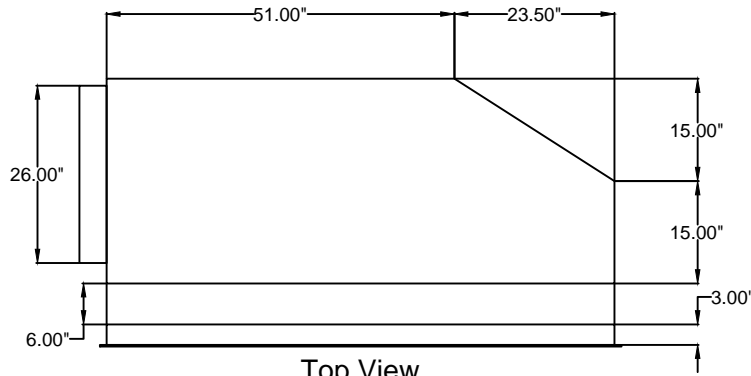
Isometric View
Plenum Side



Side View



Flanged View



Top View

Avani Environmental
95 Cypress Drive
Youngsville, NC 27596
P# 919-570-2862 F# 919-570-2863

Avani

Project: Weatherford	
Drawing: Side Inlet - SDC-AT-4-32	
Date: 10/3/13	Drawn by: MDT
Sheet No: 1	Rev.: 0