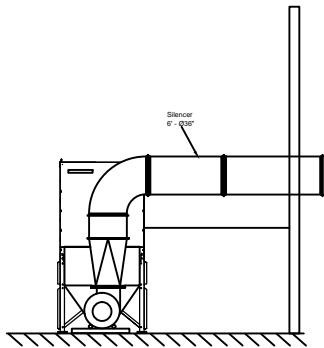
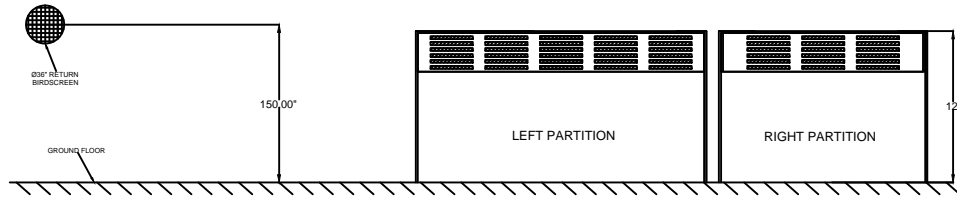


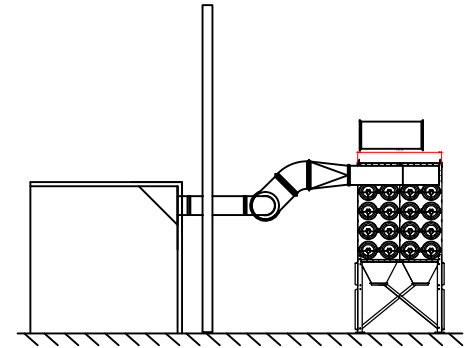
# I.D. GRINDING-CLEANING STATION DUCT LAYOUT



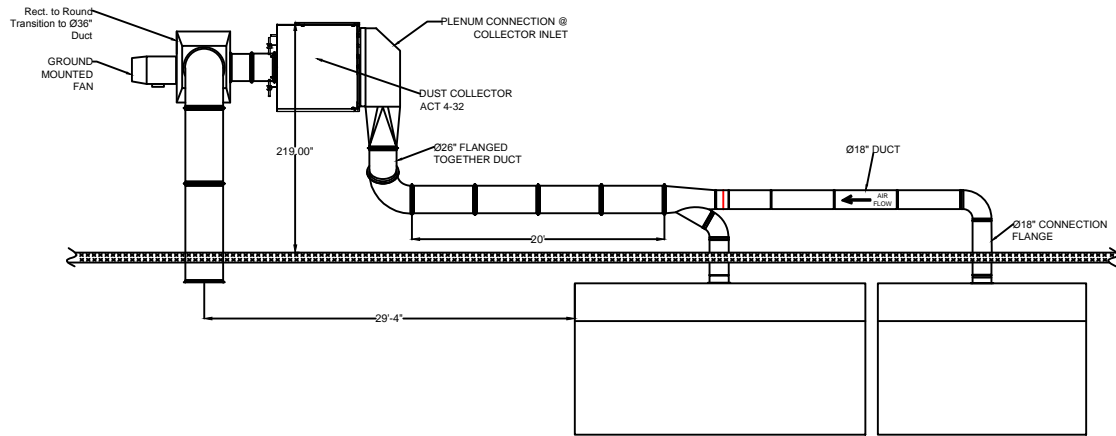
Left View



Elevation View



Right View



Plan View

Avani Environmental Intl. Inc.  
95 Cypress Drive  
Youngsville, NC 27596  
P# 919-488-2862 F# 919-488-2863

Avani

Project: Weatherford	
Drawing: ID Grinder & Pipe Cleaning	
Date: 8/15/2013	Drawn by: MDT
Sheet No: 1 OF 1	