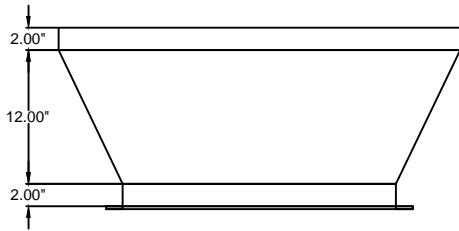
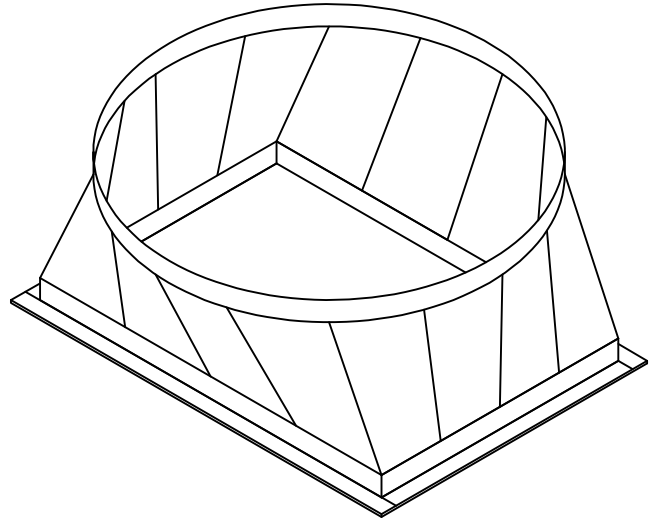


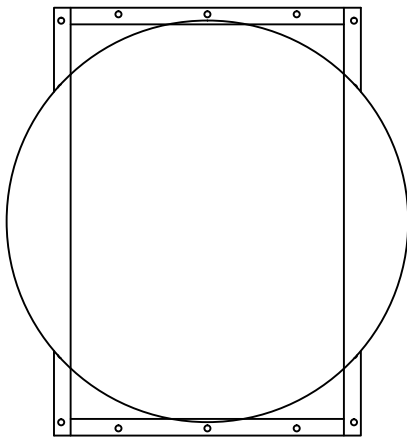
ID Grinder & Pipe Cleaner Fan to Duct



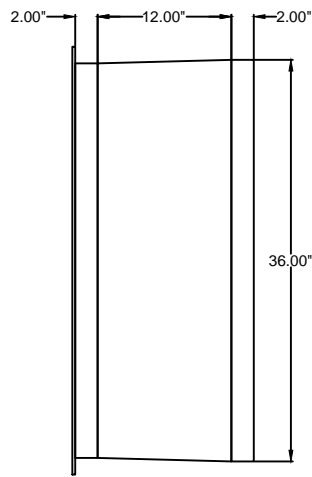
Side View



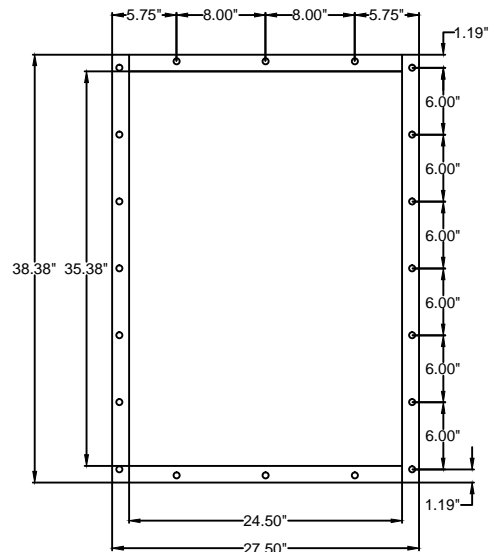
Isometric View



Top View



Side View



Flange View

Avani Environmental
95 Cypress Drive
Youngsville, NC 27596
P# 919-570-2862 F# 919-570-2863

Avani

Project: ID Grinder & Pipe Cleaner

Drawing: Fan to Duct

Date: 10/16/13

Drawn by: MDT

Sheet No: 1

Rev.: 0