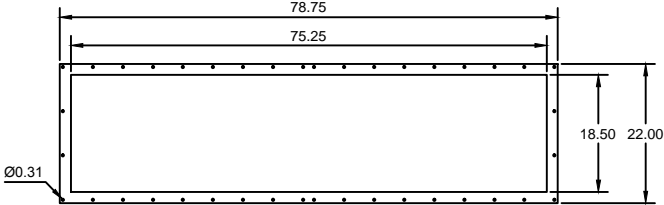
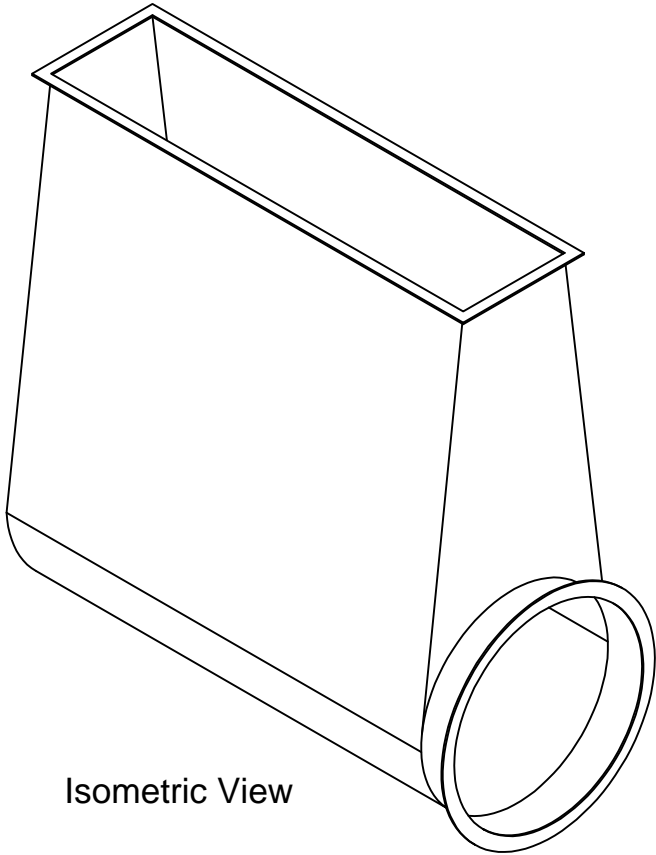


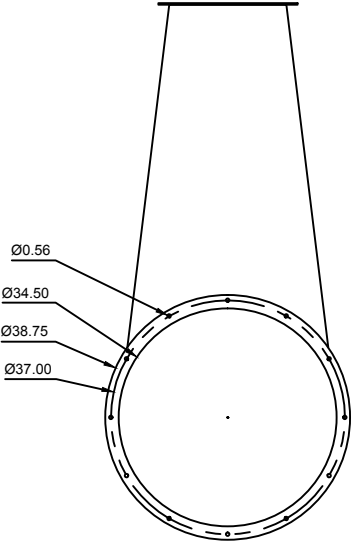
ACT-4-32 to Fan



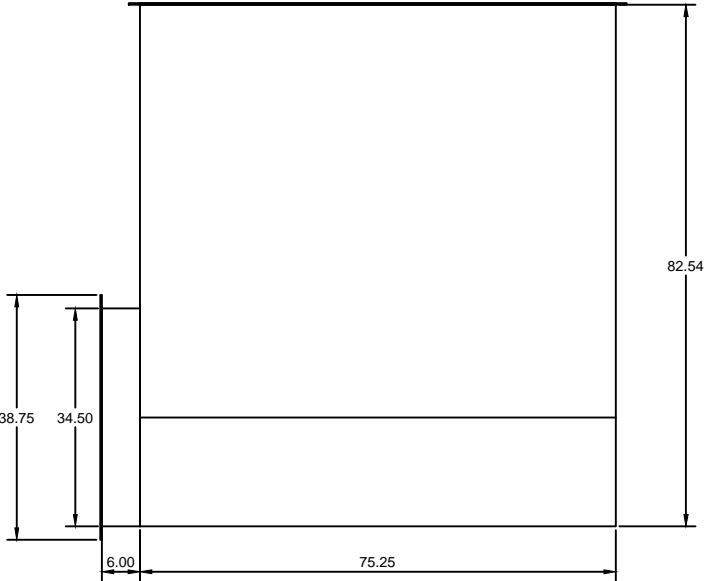
Side View



Isometric View



Side View



Side View

Avani Environmental
95 Cypress Drive
Youngsville, NC 27596
P# 919-570-2862 F# 919-570-2863

Avani

Project: Weatherford	
Drawing: Back Inlet SDC-AT-4-32	
Date: 10/14/13	Drawn by: MDT
Sheet No: 1	Rev.: 0