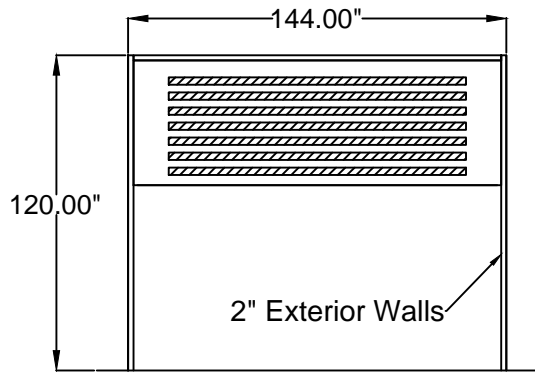
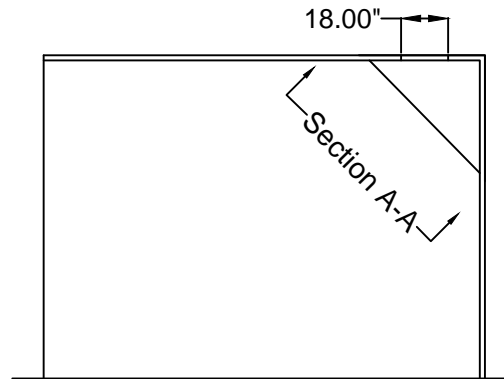


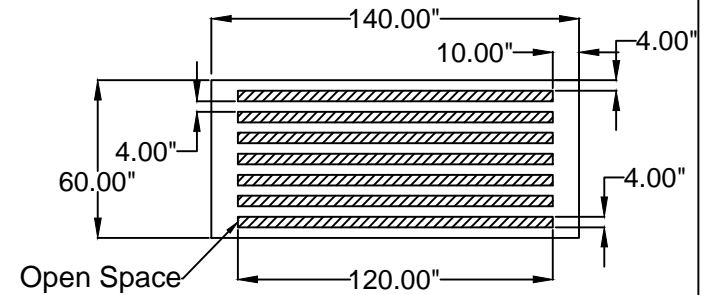
Weatherford - Broussard Plasma Table Partition



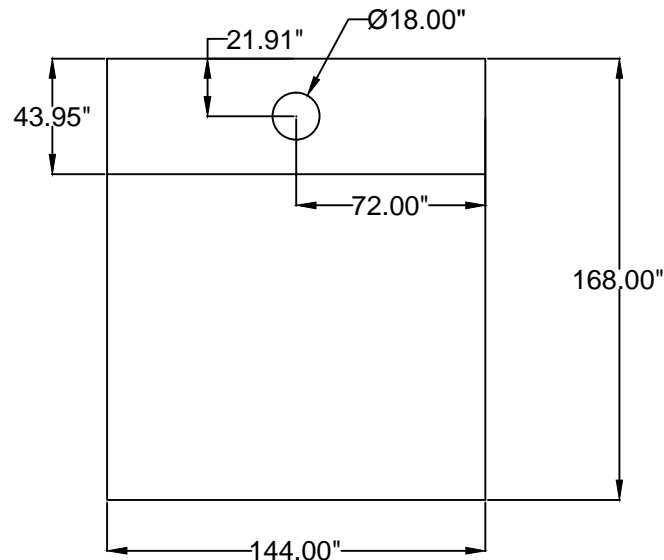
FRONT VIEW



SIDE VIEW



SECTION A-A



PLAN VIEW

NOTES:

1. Baffles made out of single sheet of metal
2. Baffle material to be 16 GA Steel

Avani Environmental Intl. Inc.
95 Cypress Drive
Youngsville, NC 27596
P# 919-488-2862 F# 919-488-2863

Avani

Project: Weatherford - Phase 2

Drawing: Plasma Table Partition

Date: 6/18/2013 | Drawn by: MDT

Sheet No: 1 OF 1