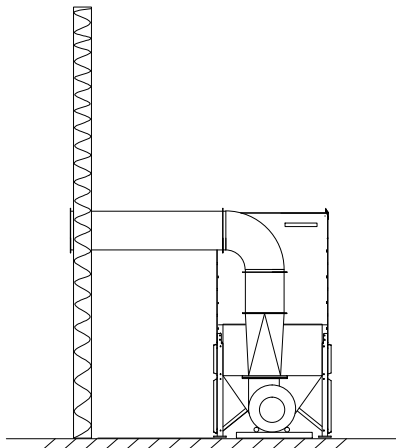
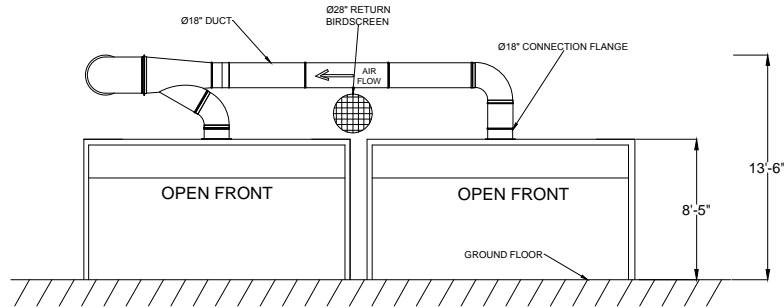


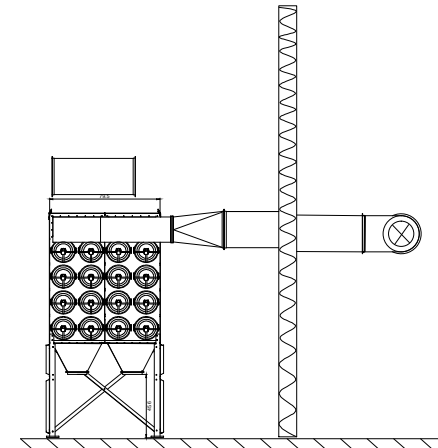
# I.D. GRINDING-CLEANING STATION DUCT LAYOUT



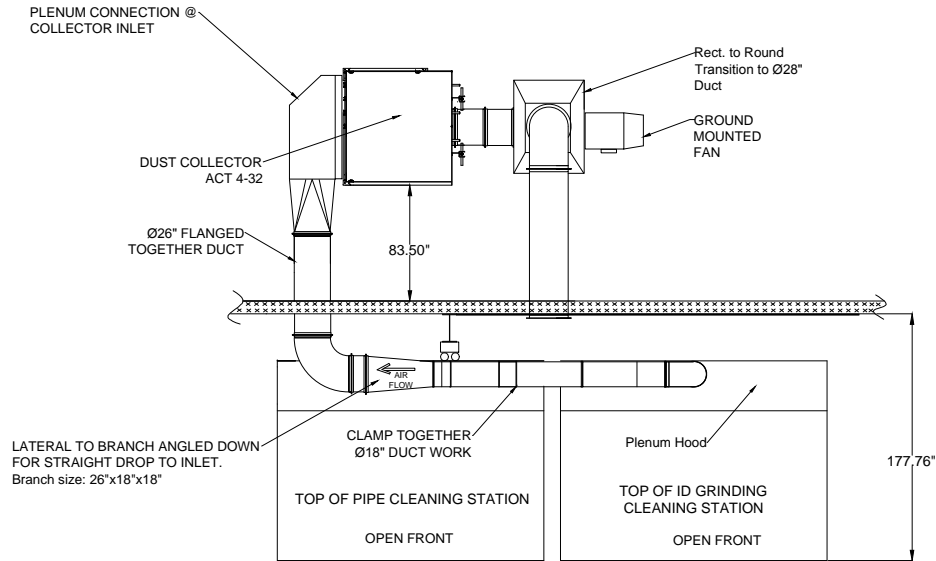
Left View



Elevation View



Right View



Plan View

Avani Environmental Intl. Inc.  
95 Cypress Drive  
Youngsville, NC 27596  
P# 919-488-2862 F# 919-488-2863

# Avani

Project: Weatherford

Drawing: ID Grinder & Pipe Cleaning

Date: 5/16/2013 Drawn by: MDT

Sheet No: 1 OF 1