


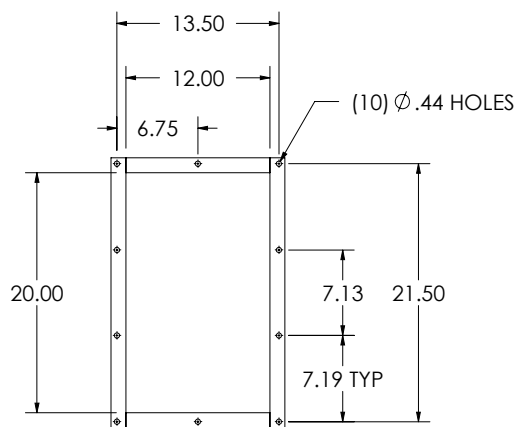
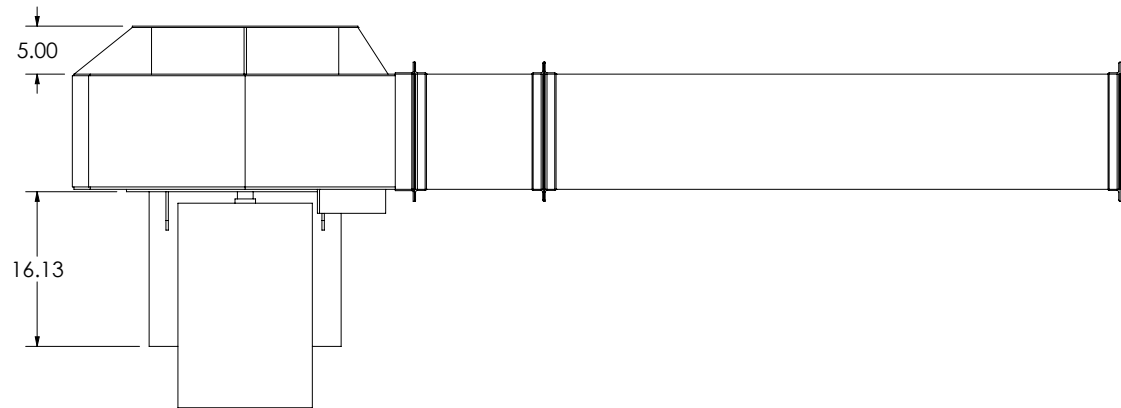
ACCESSORIES

1. FLAME RETARDANT FILTERS
2. DRUM LID LATCH RING
3. SPRINKLER COUPLER
4. ALL-IN-ONE CONTROLS (460V)
5. 15 TCBI W/EXHAUST DAMPER AND SILENCER

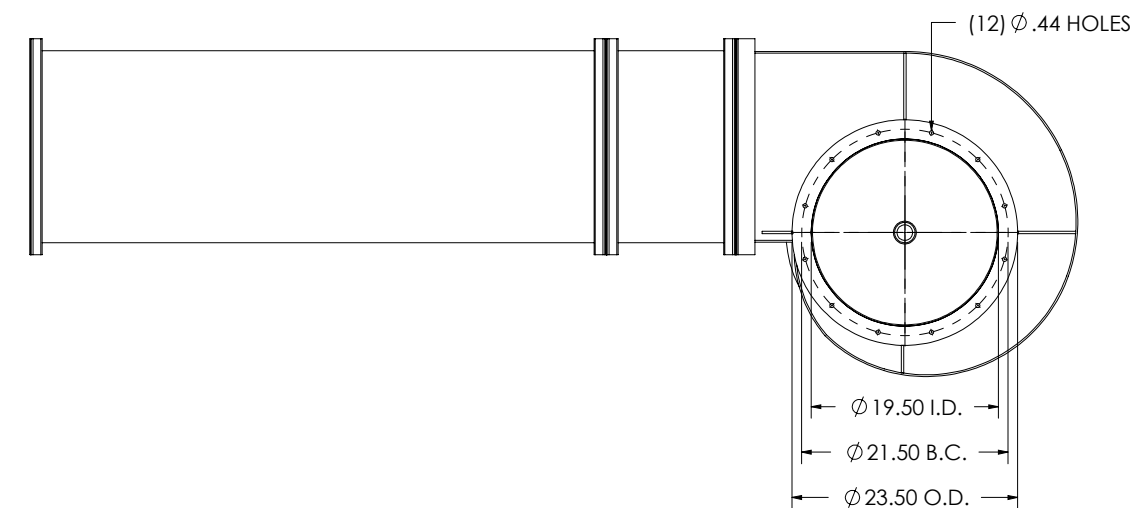
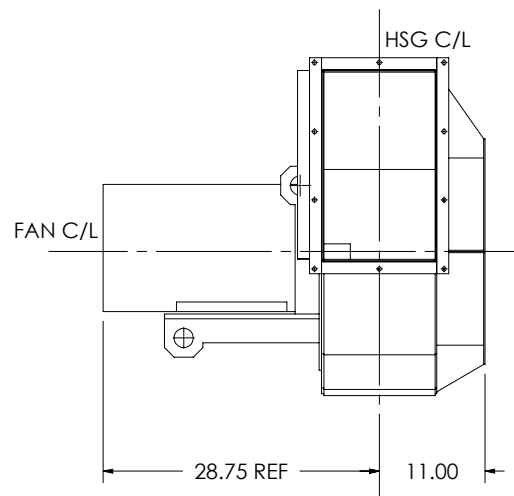
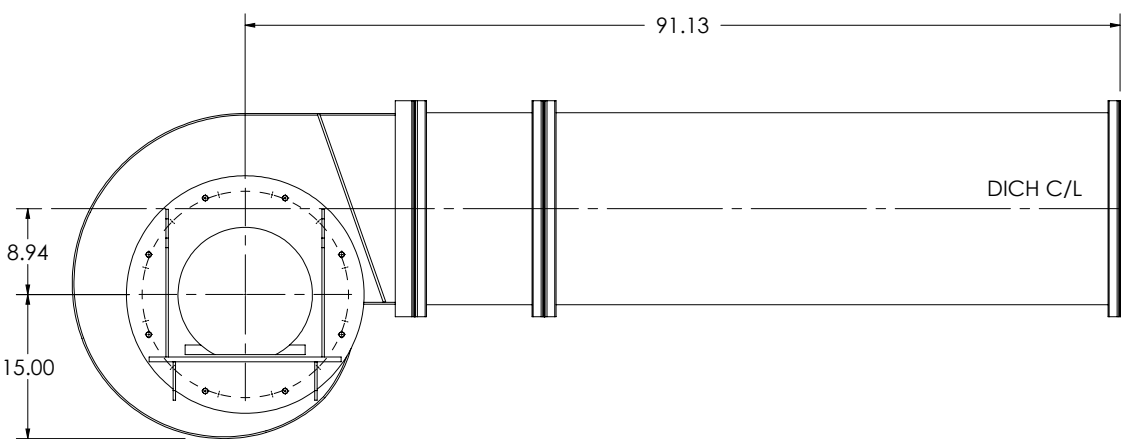
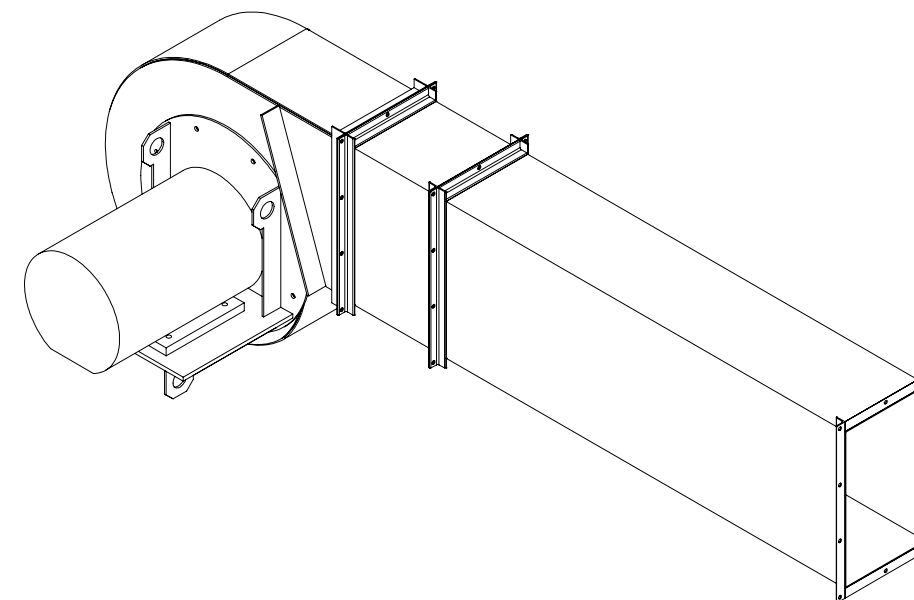
THE INFORMATION SHOWN ON THIS DRAWING IS THE EXCLUSIVE PROPERTY OF AIR CLEANING TECHNOLOGY, INC. IT IS NOT TO BE USED FOR ANY PURPOSE OR ITS CONTENTS DISCLOSED WITHOUT OUR WRITTEN CONSENT.

JOB AND LOCATION	CUSTOMER NAME	-	TEMP.	-	DRAWN BY	JX
	JOB NAME	-	ELEVATION	-	DATE	7/9/13
	JOB ID	-	DENSITY	-	CHKD BY	-
	LOCATION	-	C.F.M.	-	DATE	-
	ENG/ARCH.	-	S.P.	-	MOTOR WT	-
	S.O. NUMBER	-	R.P.M.	-	FAN WT	-
	TAG UNIT	-	B.H.P.	-	SCALE	1:40

REV	ECN	DATE	BY	CHK	DESCRIPTION
-	-	-	-	-	-
 Air Cleaning Technology, Inc. <small>13310 Industrial Park Blvd, Suite 195 - Plymouth, MN 55441</small>					
TITLE ACT 4-16					
DRAWING NO. BC 15507		ROW 001	ITEM 00	SHEET 1 OF 1	REV. -




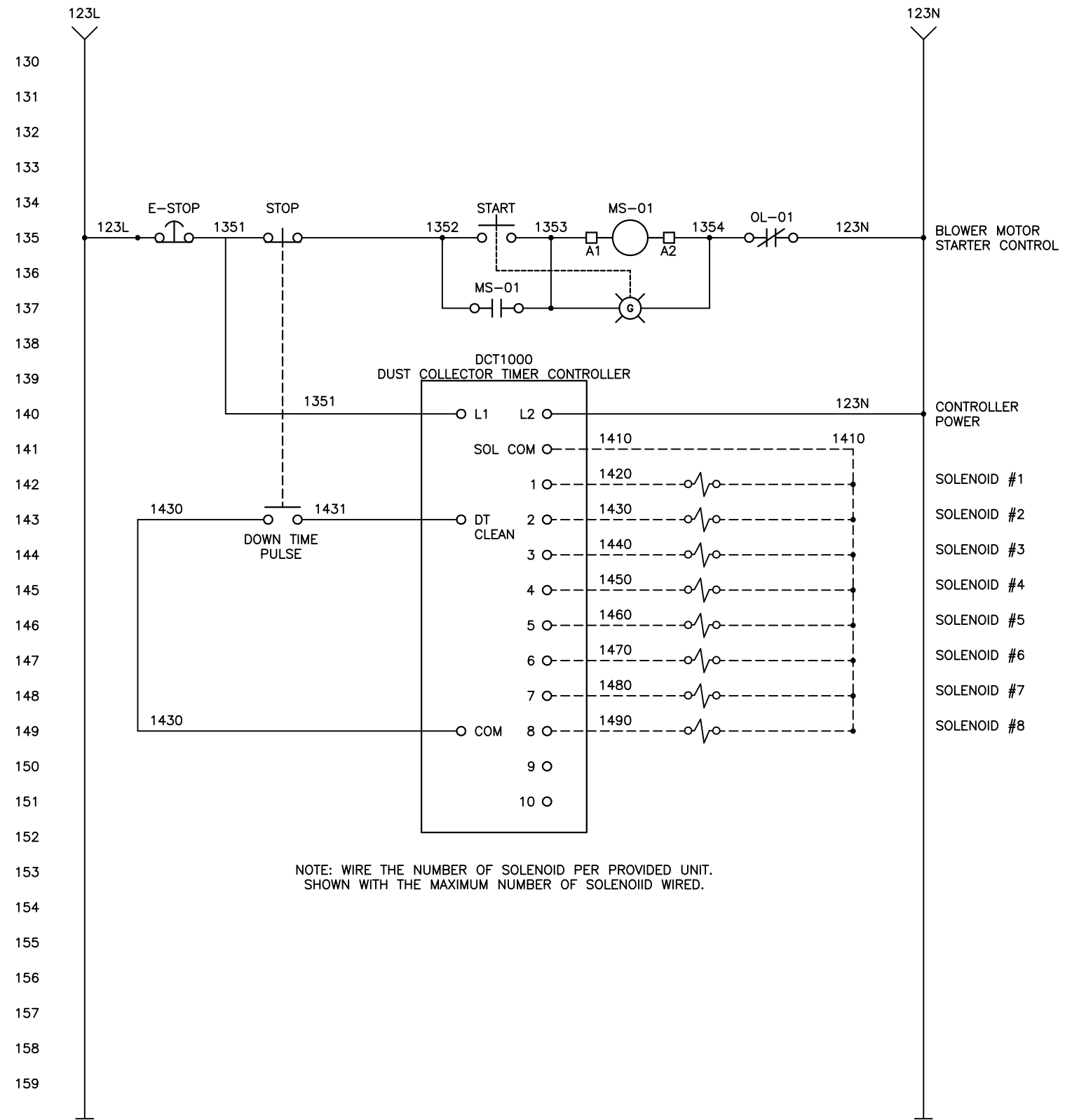
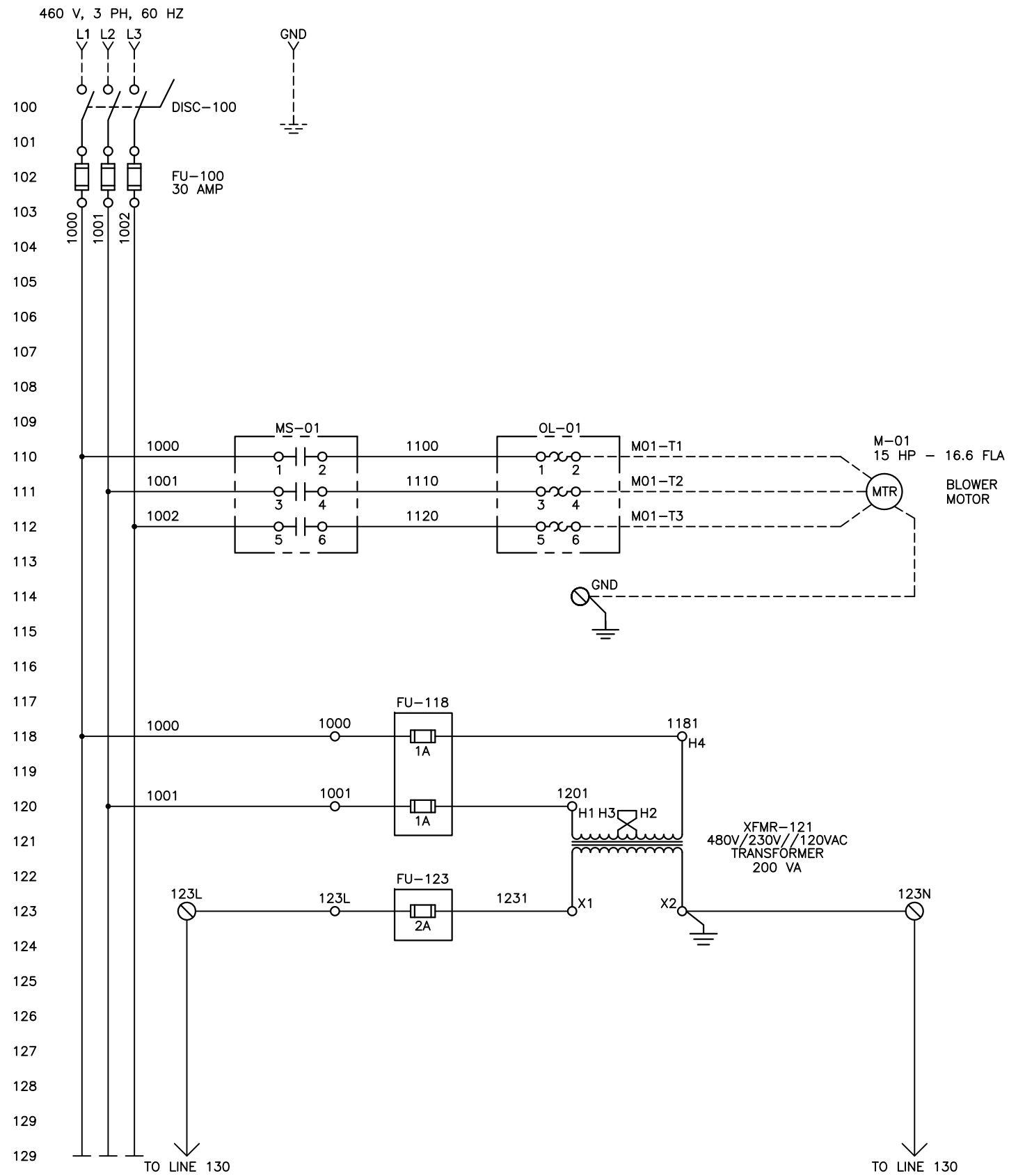
**OUTLET SILENCER
FLANGE DETAILS**



THE INFORMATION SHOWN ON THIS DRAWING IS THE EXCLUSIVE PROPERTY OF AIR CLEANING TECHNOLOGY, INC. IT IS NOT TO BE USED FOR ANY PURPOSE OR ITS CONTENTS DISCLOSED WITHOUT OUR WRITTEN CONSENT.

JOB AND LOCATION	CUSTOMER NAME	-	TEMP.	-	DRAWN BY	JX
	JOB NAME	-	ELEVATION	-	DATE	7/9/13
	JOB ID	-	DENSITY	-	CHKD BY	-
	LOCATION	-	C.F.M.	-	DATE	-
	ENG/ARCH.	-	S.P.	-	MOTOR WT	-
	S.O. NUMBER	-	R.P.M.	-	FAN WT	-
	TAG UNIT	-	B.H.P.	-	SCALE	1:20

REV	ECN	DATE	BY	CHK	DESCRIPTION
-	-	-	-	-	-
 Air Cleaning Technology, Inc. <small>13310 Industrial Park Blvd, Suite 195 - Plymouth, MN 55441</small>					
TITLE					
15 TCBI					
W/ OUTLET DAMPER AND SILENCER					
DRAWING NO.			ROW	ITEM	SHEET
BC 15507			002	00	1 OF 1
					REV.
					-



THIS DRAWING IS CONFIDENTIAL PROPERTY OF ENGINEERING FIRM DO NOT DUPLICATE IN ANY TYPE WITHOUT PROPER WRITTEN PERMISSION. IF YOU ARE NOT THE INTENDED CLIENT PLEASE DESTROY THIS DOCUMENT.			DUST COLLECTOR BLOWER PACKAGE 480VAC, 3 PHASE - 15 HP WITH DUST COLLECTOR TIMER CONTROLLER		
REV.	DESCRIPTION	DATE	FILE PATH: c:/clients/	PLOT DATE: 01/01/04	
1	CREATED	7/28/08			
			DRAWN BY: ECS	DATE: 7/28/08	DRAWING SCALE: NONE
			CHECKED BY: ECS	DATE: 7/28/08	CLIENT: AIR CLEANING TECH, INC.
					PROJECT NUMBER: 15 HP
					DRAWING NUMBER: 100