



Date: January 23, 2015

Project: KODIAK

To:

Attn:

Recommended Equipment:

(17) WB-1054 booths at an inside dimension of 48" and

(1) WB-1055 booth

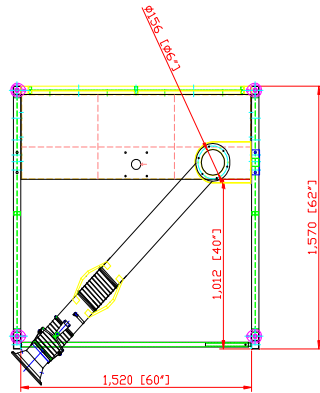
Avani Environmental Intl. Inc.
95 Cypress Drive
Youngsville, NC 27596
www.avanienvironmental.com

Phone: (919) 570-2862
Fax: (919) 570-2863
Email: info@avanienvironmental.com
www.weldingbooths.com

The drawings, AutoCAD, 3-D Models, and specifications are the property of Avani Environmental Intl. Inc. (AE) and may not be reproduced, distributed, modified, or otherwise used, except provided herein, without the express written permission of AE.

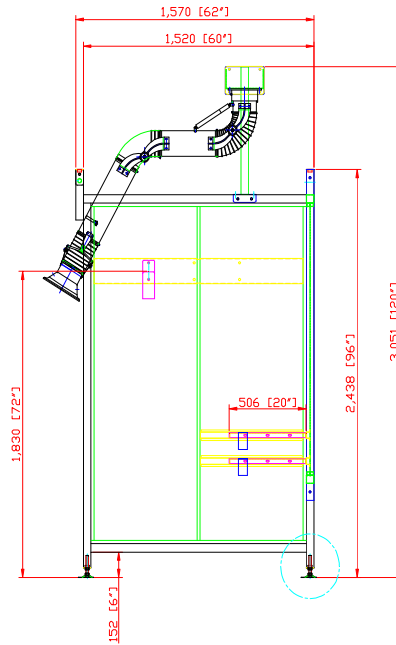
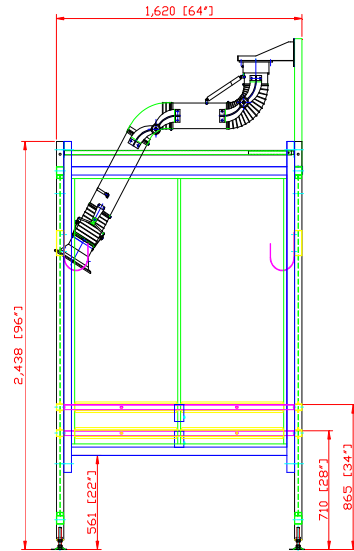
DO NOT SCALE IF IN DOUBT ASK

Revisions			
Rev	Description	Date	Approved



WB-1055 WELDING BOOTH SPECIFICATIONS

- Construction: 12 gauge steel
- Plates on feet for attaching to floor
- Back Panels as per drawing,
- Side panels to that reach to 6" from floor level
- Adjustable shelf between 28-34" from floor
- 120 volt electrical outlet
- Fluorescent light
- One J hook on each side panel, located one foot from back wall, 6' off floor
- Accessories will be (18) 1220 arms, and (18) BR005 brackets
- Welded nuts and welding nuts

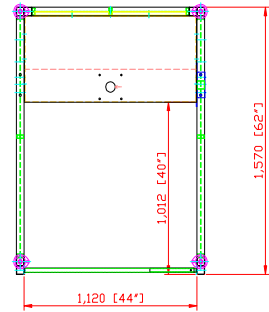


AVANI ENVIRONMENTAL INTL. INC. Sales Department
 95 Cypress Drive
 Youngsville, NC 27596
 (919) 570-2862
 info@avanienvironmental.com

Drawn by:	2015-01-23	Name:	***	Part Number:	***
Checked by:					
The drawings, AutoCAD, 3-D Models, and specifications are the property of Avani Environmental Int'l. Inc. (AE) and may not be reproduced, distributed, modified, or otherwise used, except provided herein, without the express written permission of AE.					

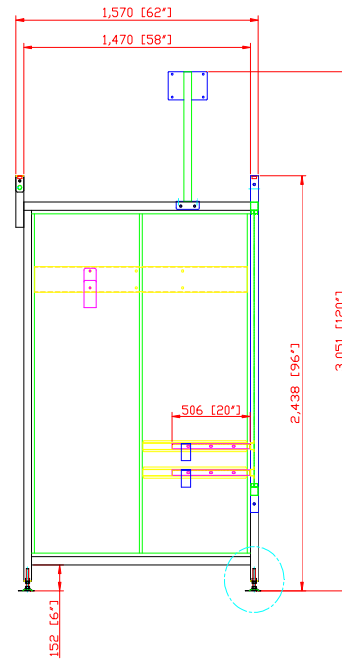
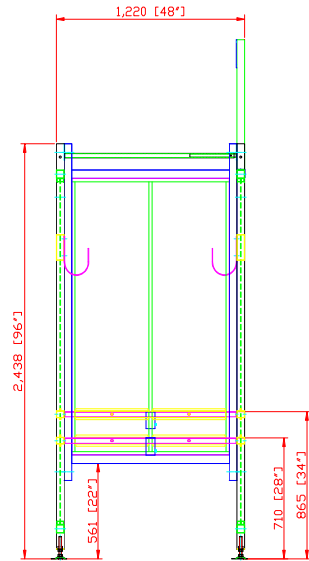
Title:	Booth WB-1055	
Size:	Scale:	Drawing Number:
A	1 = 25	WB-5x5S

Revisions			
Rev	Description	Date	Approved



WB-1054 WELDING BOOTH SPECIFICATIONS

- Construction: 12 gauge steel
- Plates on feet for attaching to floor
- Adjustable shelf between 28-34" from floor
- Back Panels as per drawing
- Side panels to that reach to 6" from floor level
- 120 volt electrical outlet
- Fluorescent light
- One J hook on each side panel, located one foot from back wall, 6' off floor
- Accessories will be (18) 1220 arms, and (18) BR005 brackets
- Welded nuts and welding nuts



AVANI ENVIRONMENTAL INTL. INC. Sales Department
 95 Cypress Drive
 Youngsville, NC 27596
 (919) 570-2862
 info@avanienvironmental.com

Drawn by:	Date	Name	Part Number:
	2015-01-23	***	***
Checked by:			

The drawings, AutoCAD, 3-D Models, and specifications are the property of Avani Environmental Intl. Inc. (AE) and may not be reproduced, distributed, modified, or otherwise used, except provided herein, without the express written permission of AE.

Title:	Size	Scale	Drawing Number:
Booth WB-1054	A	1 = 25	WB-5x5S

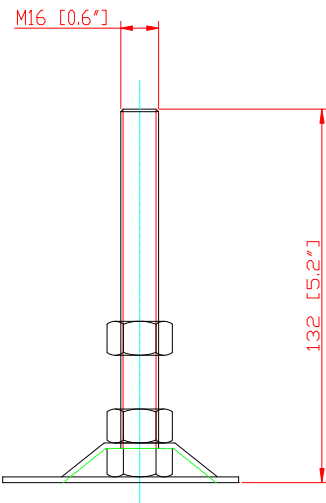
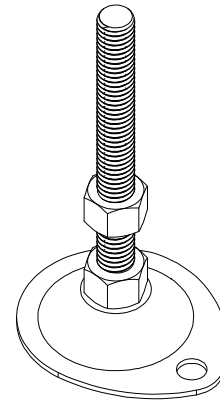
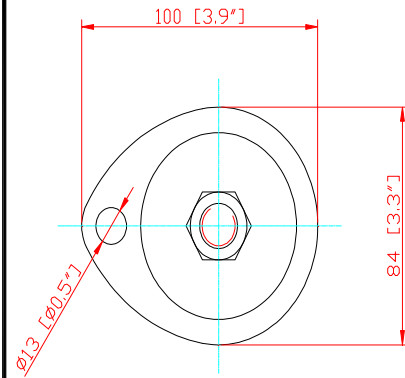
DO NOT SCALE

IF IN DOUBT ASK



Revisions

Rev	Description	Date	Approved



AVANI ENVIRONMENTAL INTL. INC. Sales Department
 95 Cypress Drive
 Youngsville, NC 27596

(919) 570-2862
 info@avanienvironmental.com

Date	Name	Part Number:
2015-01-22	***	***

The drawings, AutoCAD, 3-D Models, and specifications are the property of Avani Environmental Int'l. Inc. (AE) and may not be reproduced, distributed, modified, or otherwise used, except provided herein, without the express written permission of AE.

Title: Plate for Booth		
Size A	Scale 1 = 25	Drawing Number: REVISION A