

CW BOTTOM HORIZONTAL SHOWN ABOVE.

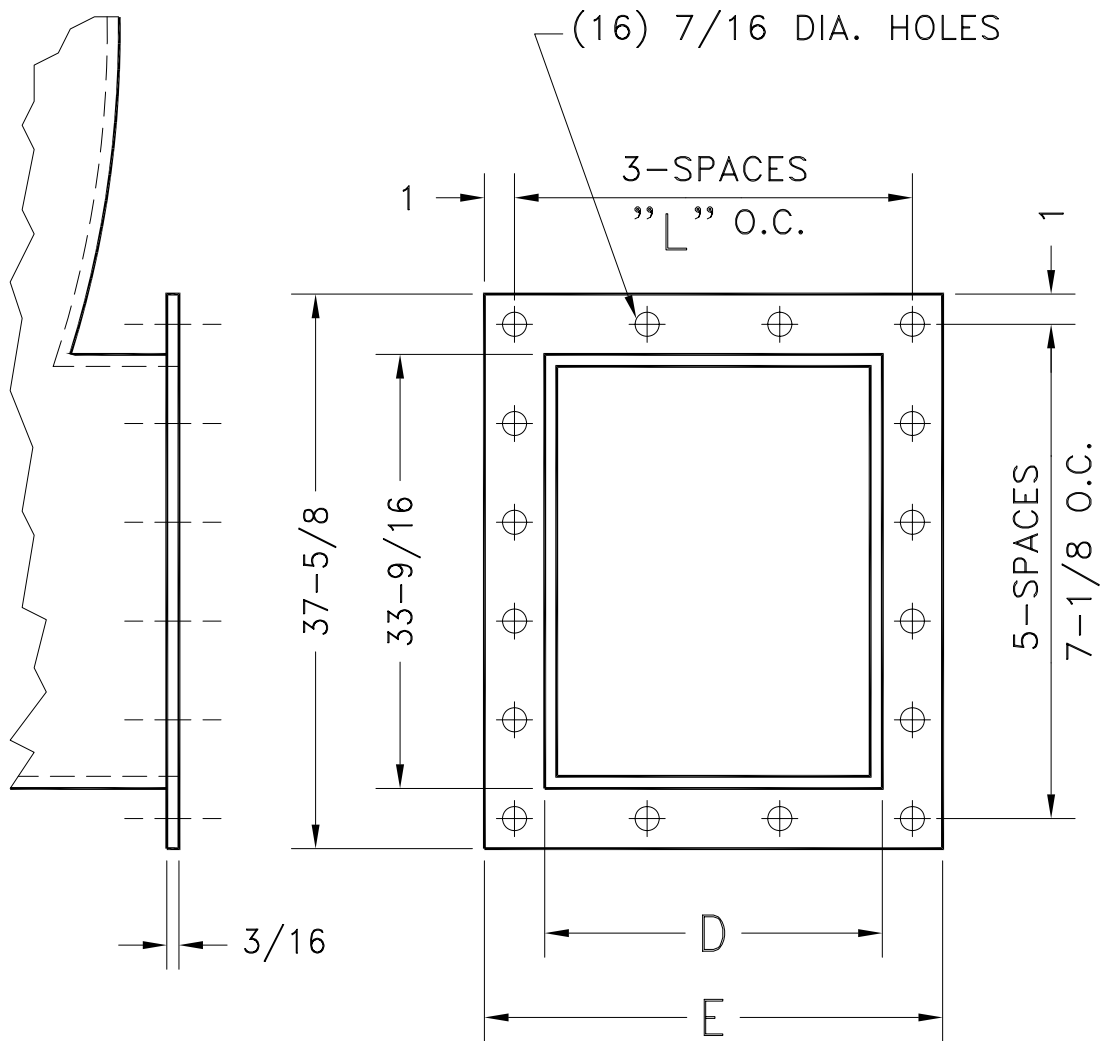
% WIDTH	D	③ G	③ J
100%	22 ³ / ₄	14 ³ / ₈	12 ⁷ / ₁₆
95%	22 ³ / ₁₆	14 ³ / ₃₂	12 ⁵ / ₃₂
90%	21 ⁹ / ₁₆	13 ²⁵ / ₃₂	11 ²⁷ / ₃₂
85%	21	13 ¹ / ₂	11 ⁹ / ₁₆
80%	20 ³ / ₈	13 ³ / ₁₆	11 ¹ / ₄
75%	19 ³ / ₄	12 ⁷ / ₈	10 ¹⁵ / ₁₆
70%	19 ³ / ₁₆	12 ¹⁹ / ₃₂	10 ²¹ / ₃₂
65%	18 ⁵ / ₈	12 ⁵ / ₁₆	10 ³ / ₈
60%	18	12	10 ¹ / ₁₆
55%	17 ⁷ / ₁₆	11 ²³ / ₃₂	9 ²⁵ / ₃₂
50%	16 ¹³ / ₁₆	11 ¹³ / ₃₂	9 ¹⁵ / ₃₂

STANDARD (SM) BASES				
MOTOR FRAME 213T-256T				
H	HH	④ BB	④ CC	WEIGHT *
11 ¹ / ₂	17 ¹ / ₂	46 ⁵ / ₁₆	42 ⁵ / ₁₆	790
		45 ³ / ₄	41 ³ / ₄	784
		45 ¹ / ₈	41 ¹ / ₈	778
		44 ⁹ / ₁₆	40 ⁹ / ₁₆	772
		43 ¹⁵ / ₁₆	39 ¹⁵ / ₁₆	766
		43 ⁵ / ₁₆	39 ⁵ / ₁₆	760
		42 ³ / ₄	38 ³ / ₄	754
		42 ³ / ₁₆	38 ³ / ₁₆	748
		41 ⁹ / ₁₆	37 ⁹ / ₁₆	742
		41	37	736
		40 ³ / ₈	36 ³ / ₈	730

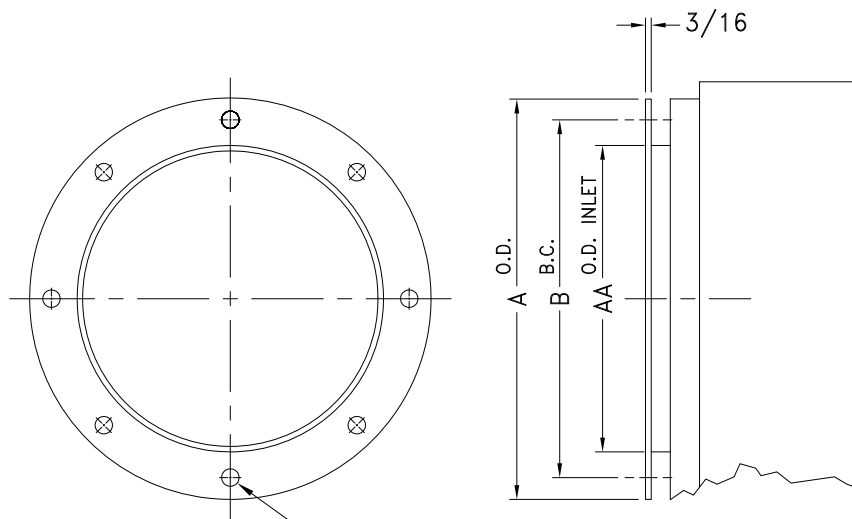
LARGE BASES				
MOTOR FRAME 284T-326T				
H	HH	④ BB	④ CC	WEIGHT *
21	27	55 ¹³ / ₁₆	51 ¹³ / ₁₆	840
		55 ¹ / ₄	51 ¹ / ₄	834
		54 ⁵ / ₈	50 ⁵ / ₈	828
		54 ¹ / ₁₆	50 ¹ / ₁₆	822
		53 ⁷ / ₁₆	49 ⁷ / ₁₆	816
		52 ¹³ / ₁₆	48 ¹³ / ₁₆	810
		52 ¹ / ₄	48 ¹ / ₄	804
		51 ¹¹ / ₁₆	47 ¹¹ / ₁₆	798
		51 ¹ / ₁₆	47 ¹ / ₁₆	792
		50 ¹ / ₂	46 ¹ / ₂	786
		49 ⁷ / ₈	45 ⁷ / ₈	780

NOTES:

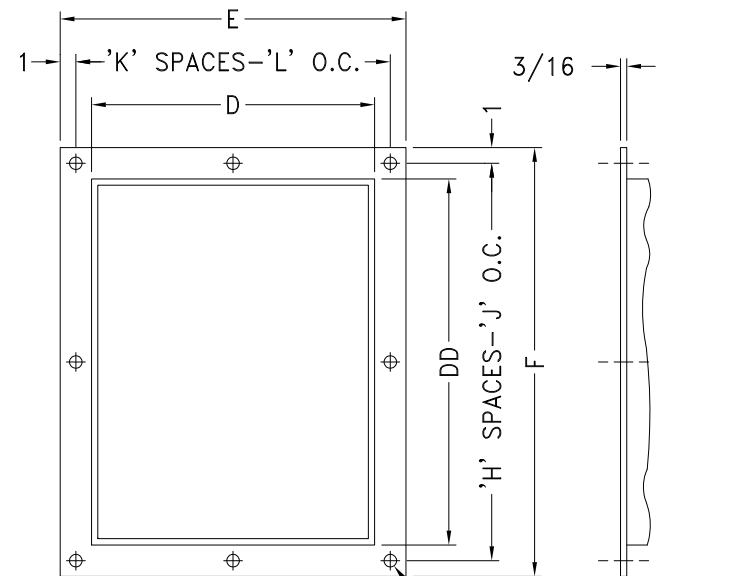
- FANS ARE ROTATABLE IN 45° INCREMENTS.
- DISCHARGE FLANGE IS STANDARD.
- ADD 1/8" FOR AMCA "C" CONSTRUCTION FANS AND/OR DOWNBLAST DISCHARGE POSITION.
- ADD 1/4" FOR AMCA "C" CONSTRUCTION FANS AND/OR DOWNBLAST DISCHARGE POSITION.
- * 5. WEIGHT DOES NOT INCLUDE MOTOR OR OPTIONS.



% WIDTH	D	E	L
100	22-3/4	26-3/4	8-1/4
95	22-3/16	26-3/16	8-1/16
90	21-9/16	25-9/16	7-27/32
85	21	25	7-21/32
80	20-3/8	24-3/8	7-15/32
75	19-3/4	23-3/4	7-1/4
70	19-3/16	23-3/16	7-1/16
65	18-5/8	22-5/8	6-7/8
60	18	22	6-21/32
55	17-7/16	21-7/16	6-15/32
50	16-13/16	20-13/16	6-9/32
45	16-1/4	20-9/32	6-3/32



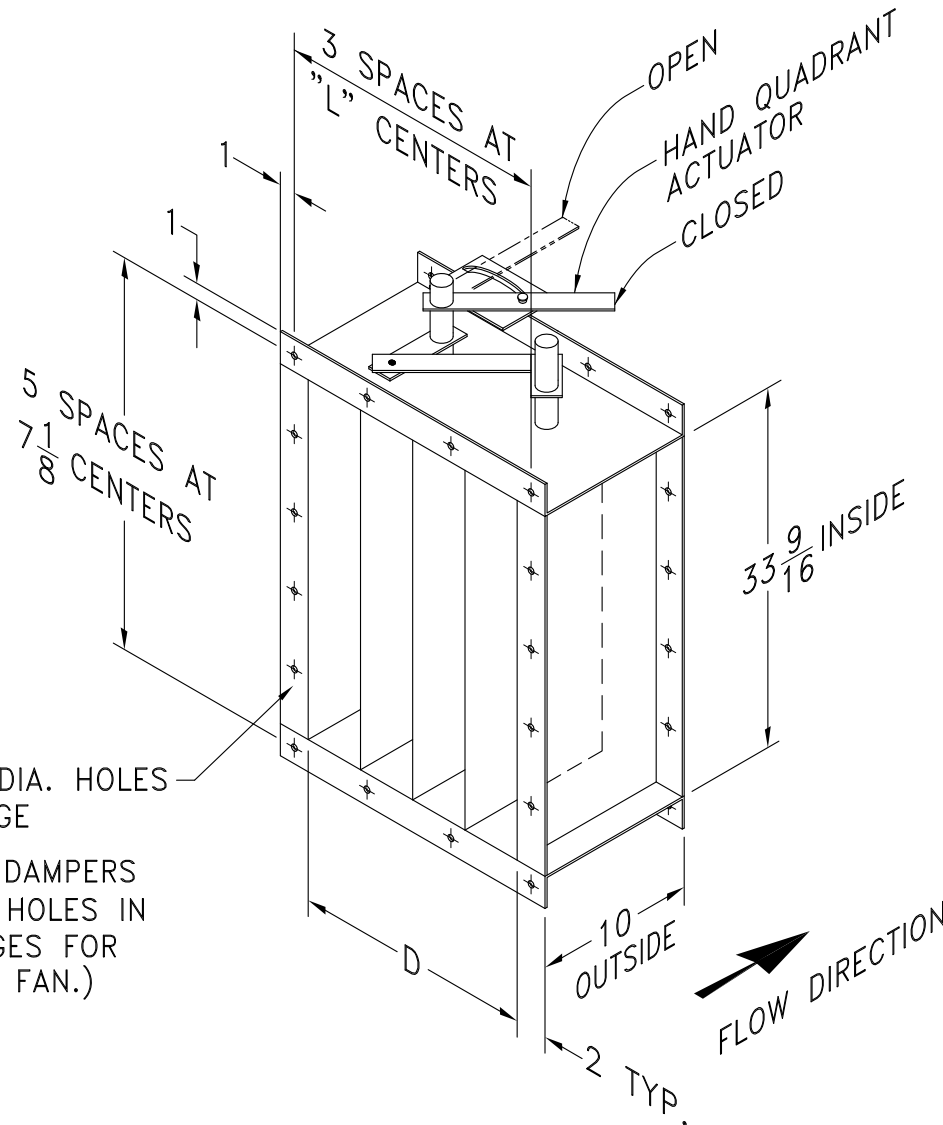
INLET FLANGE
"N" HOLES, "P" DIA.



DISCHARGE FLANGE ①
"M" 7/16 DIA. HOLES

SIZE	INLET					DISCHARGE								
	A O.D.	B B.C.	N	AA DIA.	P	D	E	F	H	J	K	L	M	DD
120	16	14-3/8	8	13-1/4	7/16	9-3/8	13-3/8	17-11/16	2	7-27/32	2	5-11/16	8	13-3/4
130	17-3/4	15-15/16	8	14-5/8	7/16	10-3/8	14-3/8	19-3/16	2	8-19/32	2	6-3/16	8	15-1/4
150	19-1/4	17-1/2	8	16-1/8	7/16	11-3/8	15-3/8	20-3/4	3	6-1/4	2	6-11/16	10	16-13/16
160	21-1/8	19-3/8	8	18	7/16	12-1/2	16-1/2	22-7/16	3	6-13/16	2	7-1/4	10	18-7/16
180	23-1/2	21-1/2	12	20	7/16	13-7/8	17-7/8	24-1/2	3	7-1/2	2	7-15/16	10	20-3/8
200	25-1/2	23-1/2	12	22	7/16	15-1/4	19-1/4	26-3/8	3	8-1/8	3	5-3/4	12	22-3/8
220	28-1/8	26-1/8	12	24-5/8	7/16	16-7/8	20-15/16	28-7/8	4	6-23/32	3	6-5/16	14	24-7/8
240	30-3/4	28-3/4	16	27	7/16	18-9/16	22-5/8	31-3/8	4	7-11/32	3	6-7/8	14	27-3/8
270	33-3/4	31-5/8	16	30	7/16	20-7/16	24-1/2	34-1/8	4	8-1/32	3	7-1/2	14	30-1/16
300	37-1/4	35-1/4	16	33-1/2	7/16	22-3/4	26-3/4	37-5/8	5	7-1/8	3	8-1/4	16	33-9/16
330	40-3/8	38-3/4	16	36-3/4	1/2	24-7/8	28-7/8	40-7/8	7	5-9/16	5	5-3/8	24	36-3/4
360	43-5/8	42	16	40	1/2	27-1/4	31-1/4	44-1/4	7	6-1/32	5	5-27/32	24	40-1/4

NOTE:
① NOT AVAILABLE ON ANY MODEL FOR DOWNBLAST, BOTTOM ANGULAR DOWN OR TOP ANGULAR DOWN DISCHARGE POSITIONS.
DISCHARGE FLANGE IS STANDARD ON SIZES -270 THRU -360.



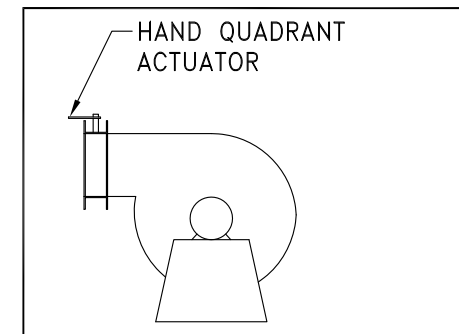
(16) 7/16 DIA. HOLES EACH FLANGE

(STANDARD DAMPERS HAVE BOLT HOLES IN BOTH FLANGES FOR BOLTING TO FAN.)

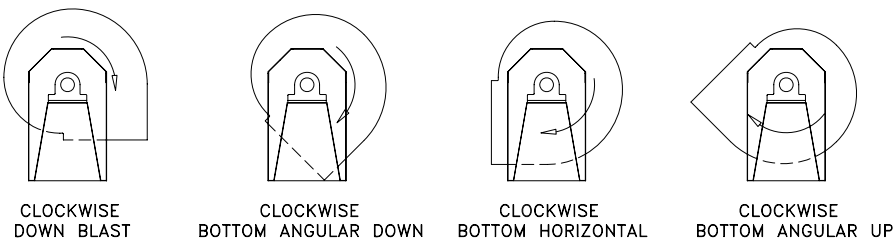
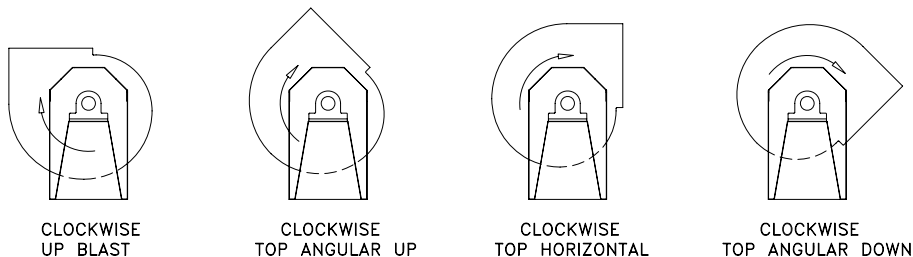
% WIDTH	D	L
100	22-3/4	8-1/4
95	22-3/16	8-1/16
90	21-17/32	7-27/32
85	20-31/32	7-21/32
80	20-13/32	7-15/32
75	19-3/4	7-1/4
70	19-3/16	7-1/16
65	18-5/8	6-7/8
60	17-31/32	6-21/32
55	17-13/32	6-15/32
50	16-27/32	6-9/32
45	16-3/16	6-1/16

NOTES:

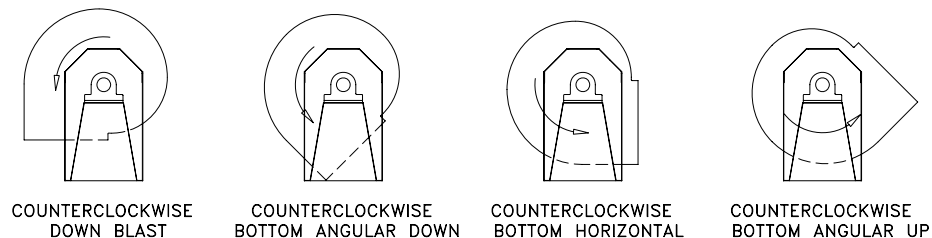
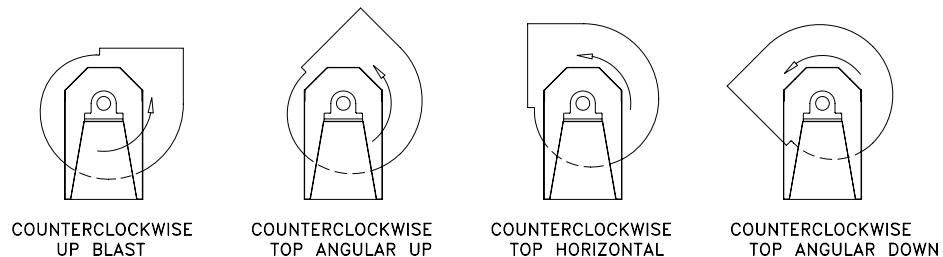
1. OPPOSED BLADE IS STANDARD. □ PARALLEL BLADE IS OPTIONAL.
2. DAMPER BLADES WILL BE PERPENDICULAR TO FAN SHAFT.
3. STANDARD MATERIAL IS CARBON STEEL WITH RUST INHIBITING PRIMER. □ OPTIONAL MATERIAL _____.
4. STANDARD CONSTRUCTION MAX. TEMPERATURE: 300° F.
□ OPTIONAL HIGH TEMPERATURE CONSTRUCTION MAX. TEMPERATURE: 800° F.



CLOCKWISE ROTATION



COUNTERCLOCKWISE ROTATION



NOTES:

1. DIRECTION OF ROTATION IS DETERMINED FROM DRIVE SIDE OF FAN.
2. SAME AS AMCA STANDARD 99-2406-83.