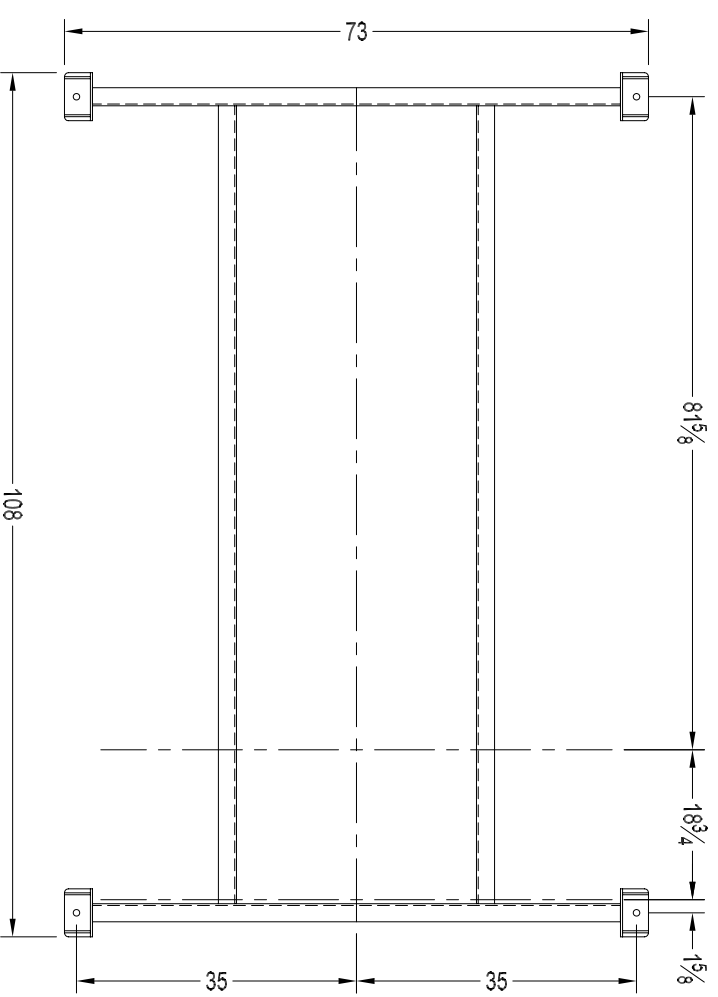
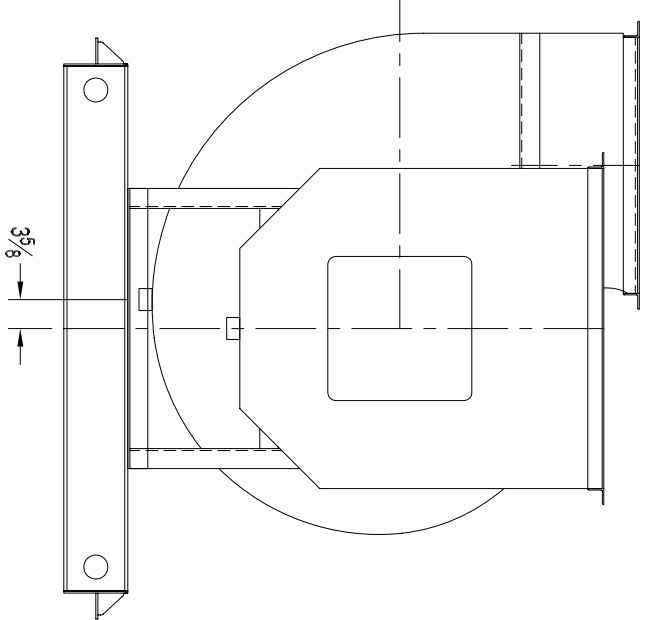
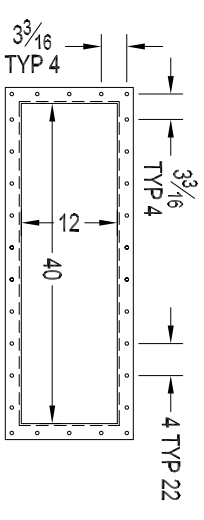
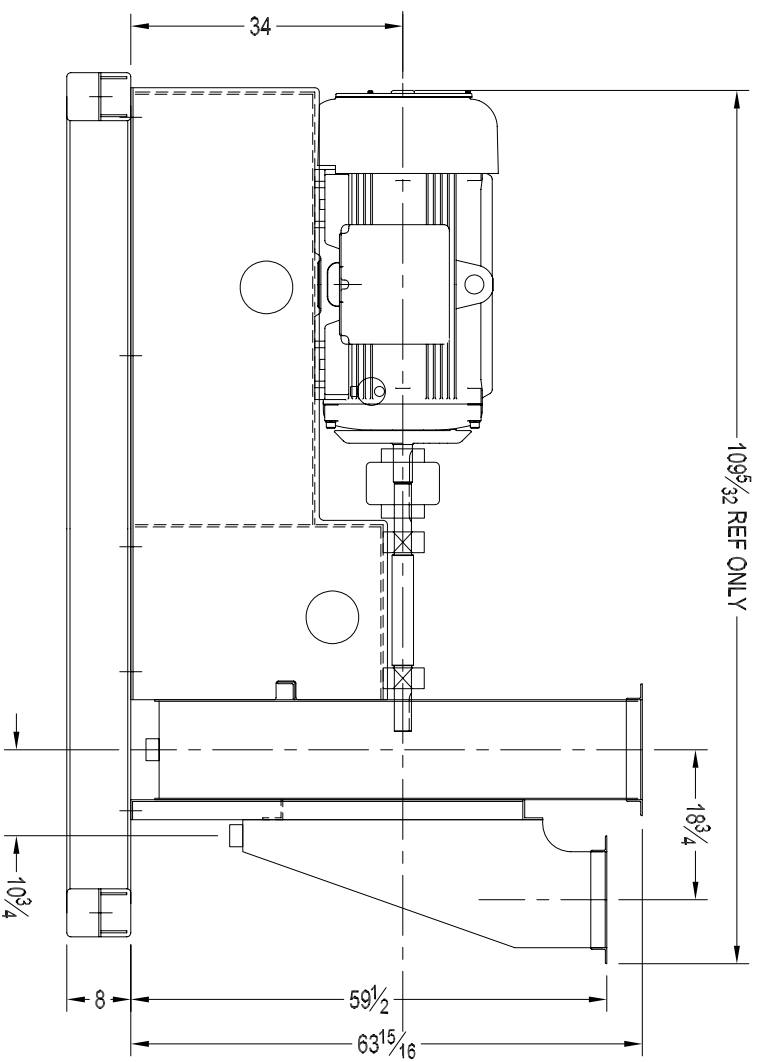


109 5/32 REF ONLY



REV.	INT.	DESC.	DATE	CHKD.	DRWN.
SCALE:	NTS				

DWG NO: **CD-070816** REV:

TITLE: **SHELDONS ENGINEERING INC**
 8880 ORDAN DRIVE, MISSISSAUGA, ONTARIO, L5T 1J7
 (905) 584-9072 • FAX: (905) 584-9004 • WWW.SHELDONSENGINEERING.COM
D 9833 RTS10 CCW/UB ARR.8
 CUSTOMER DWG