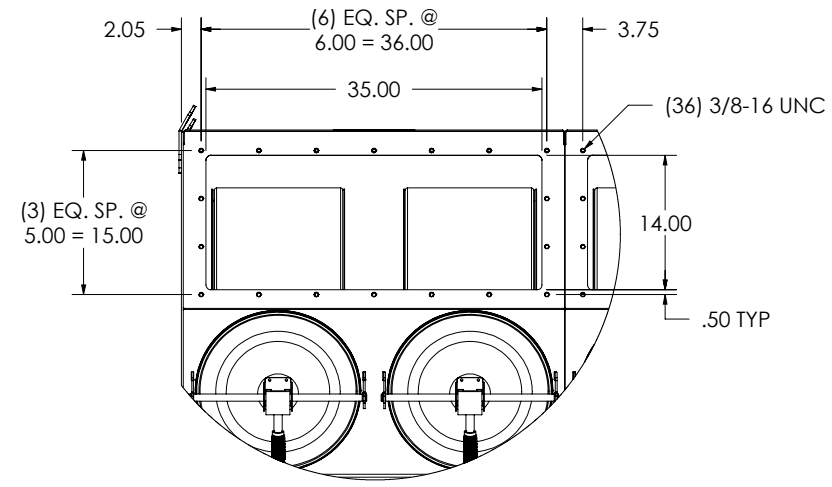
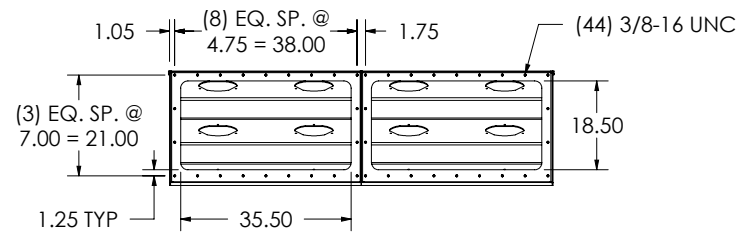
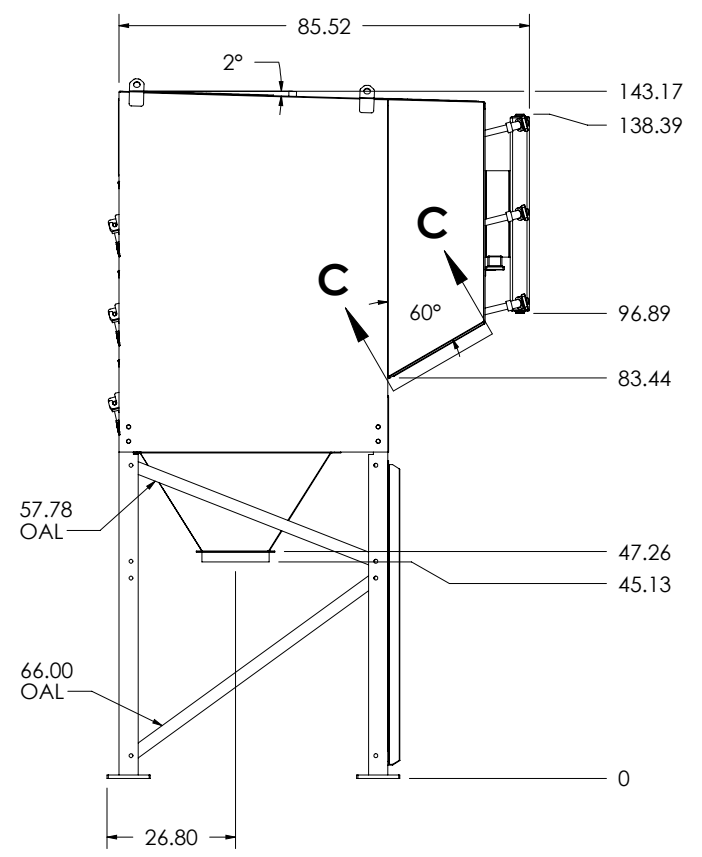
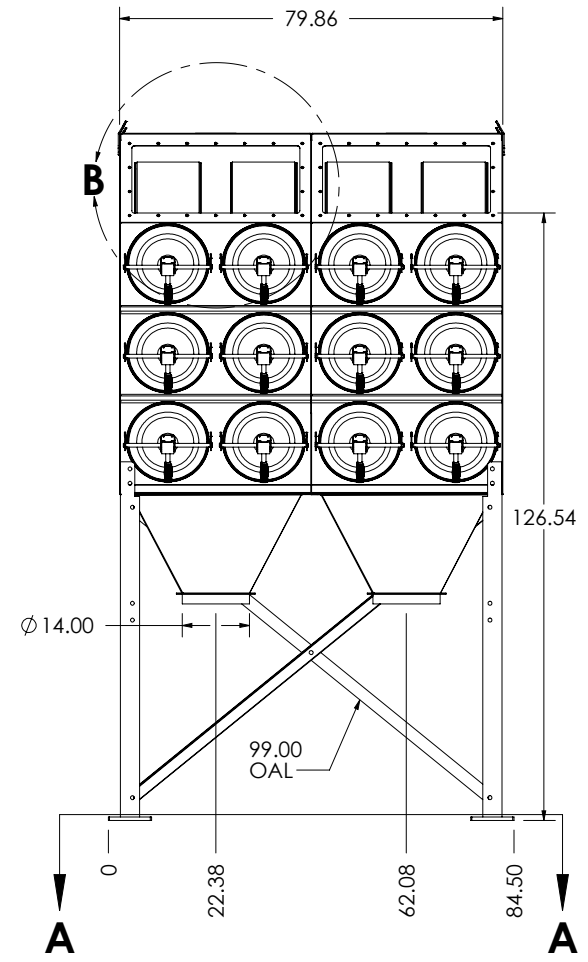
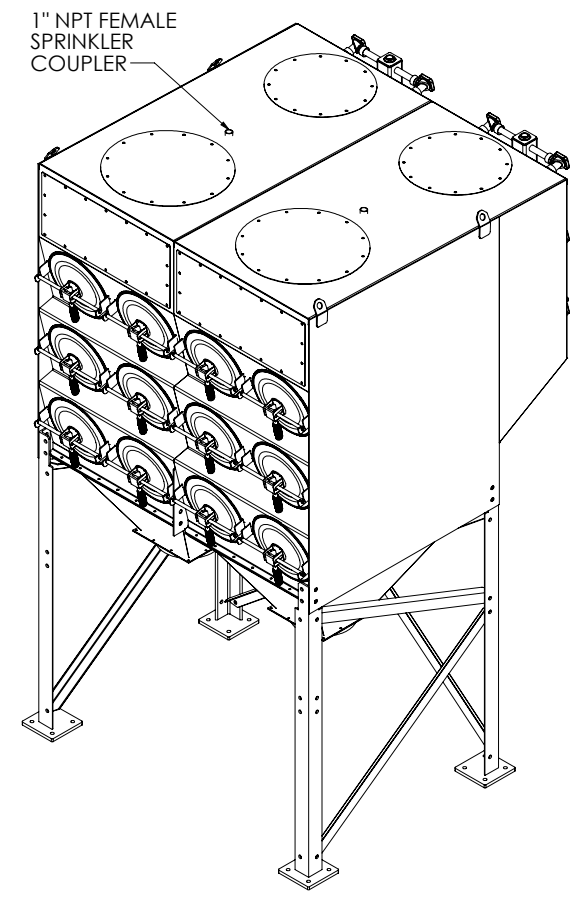


SECTION A-A




**DETAIL B
SCALE 1 : 20**



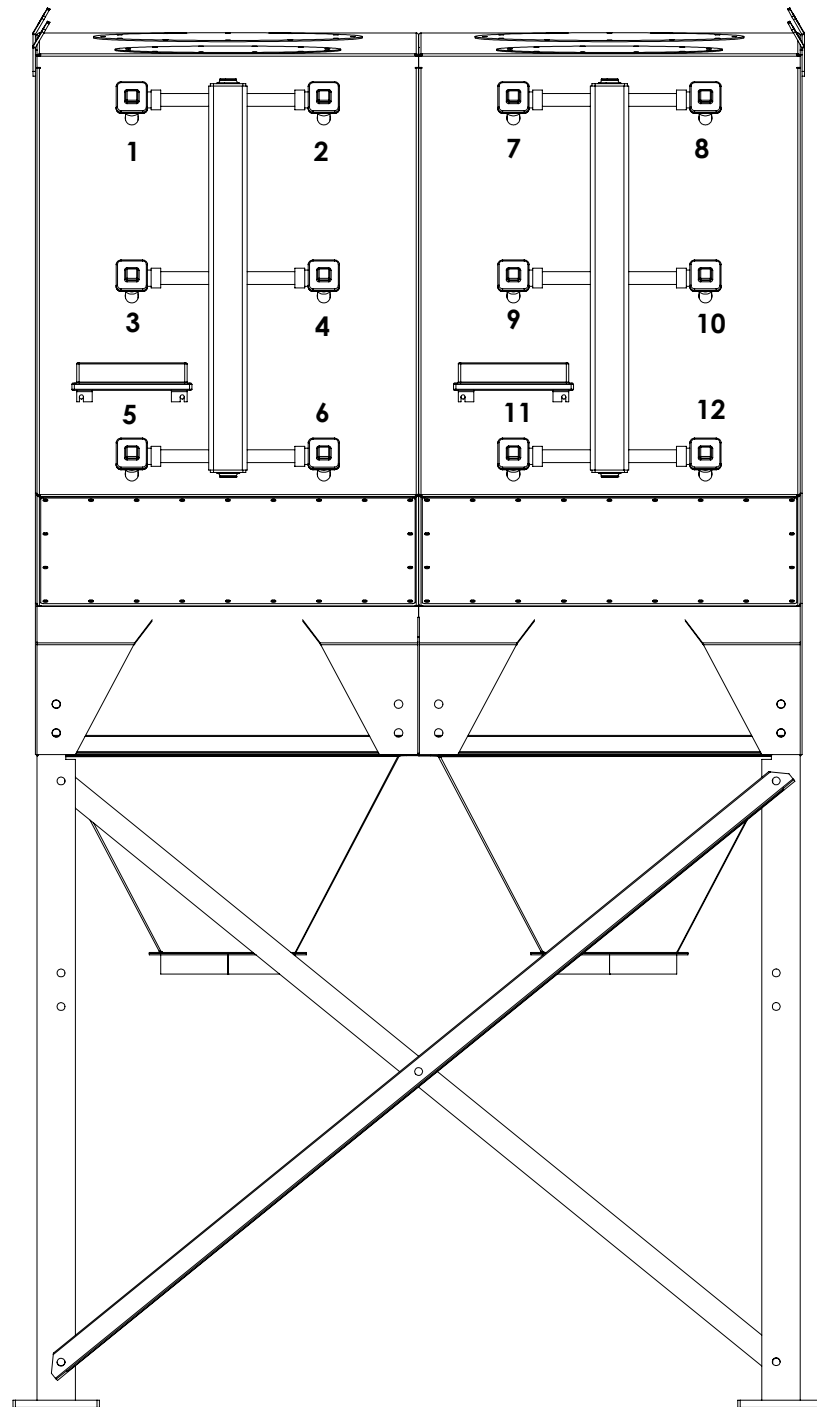
SECTION C-C

ACCESSORIES:


1. FAN BLOWER: TCF TCBI 20
2. ALL-IN-ONE CONTROLS (20HP/460V)
3. FAN OUTLET SILENCER & DAMPER
4. ACT NANO FR FILTERS
5. LATCH RING KIT
6. SPRINKLER COUPLER
7. SPARK TRAP - 18"

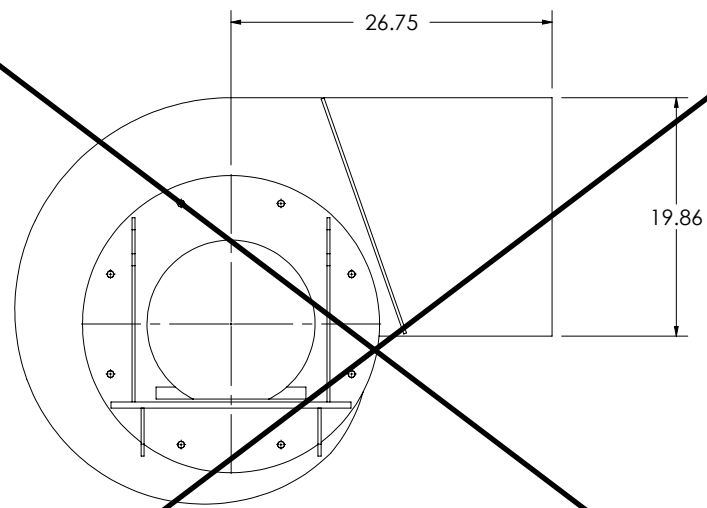
REV	ECN	DATE	BY	CHK	DESCRIPTION
-	-	-	-	-	-
					
<p>95 Cypress Dr. Youngsville, NC 27597 Phone: 919-570-2862 www.avanienvironmental.com</p>					
<p>TITLE: SDC-AT 3-24</p>					
<p>DRAWING NO. BC 500009</p>				SHEET	ITEM
				1 OF 1	-
				REV.	-

DRAWN BY	JX
DATE	1/30/15
CHKD BY	JX
DATE	1/30/15
SHOP NO.	15748-001
SCALE	1:40

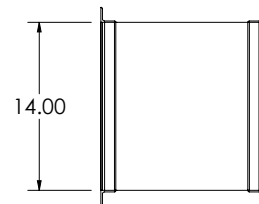
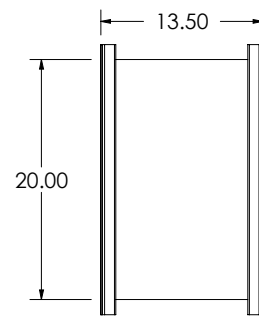


REV	ECN	DATE	BY	CHK	DESCRIPTION
-	-	-	-	-	-

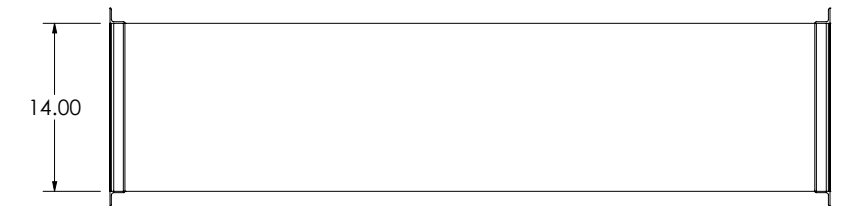
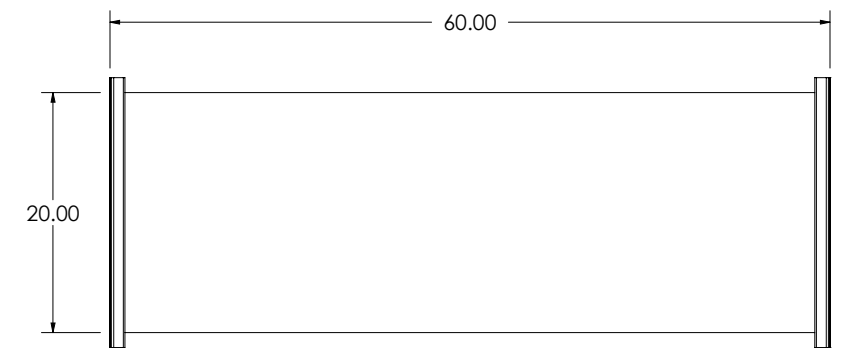
		95 Cypress Dr. Youngsville, NC 27597 Phone: 919-570-2862 www.avanienvironmental.com		
<small>DRAWN BY</small> JX <small>DATE</small> 11/07/13 <small>CHKD BY</small> - <small>DATE</small> - <small>SHOP NO.</small> - <small>SCALE</small> 1:20		<small>TITLE</small> SDC-AT 3-24 DIAPHRAGM VALVE LOCATIONS <small>DRAWING NO.</small> BC 500033 <small>SHEET</small> 1 OF 1 <small>ITEM</small> - <small>REV.</small> -		



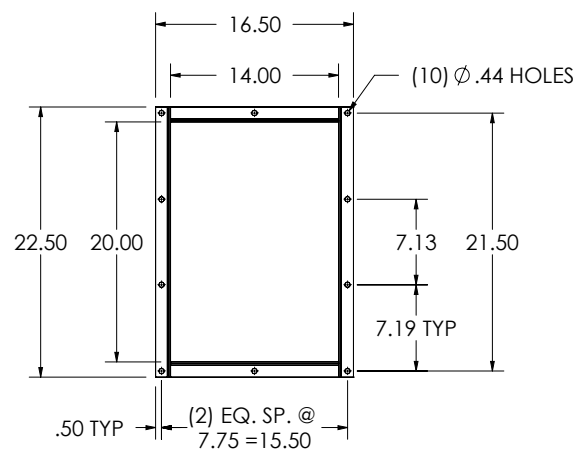
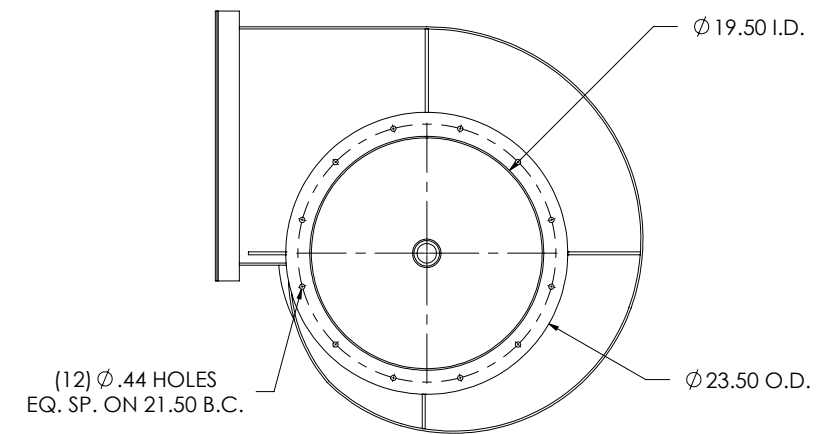
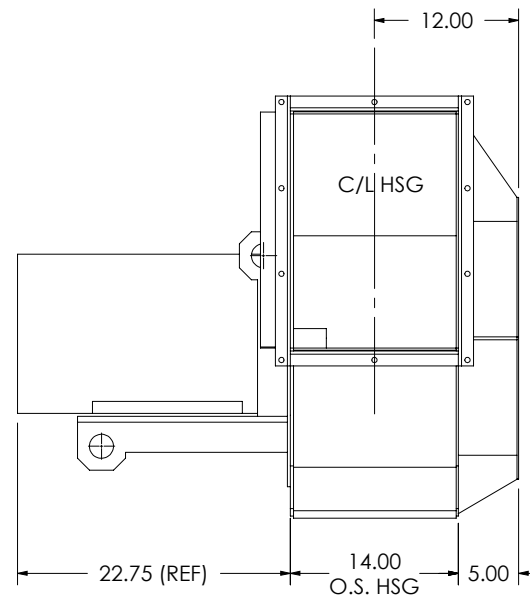
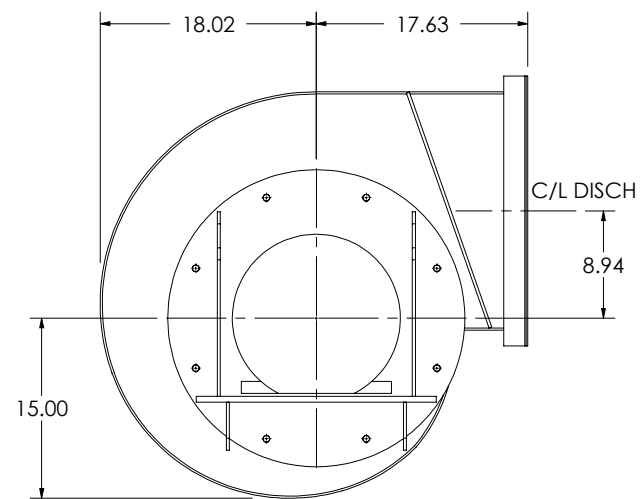
BUILT-IN DAMPER



DETACHED OUTLET DAMPER




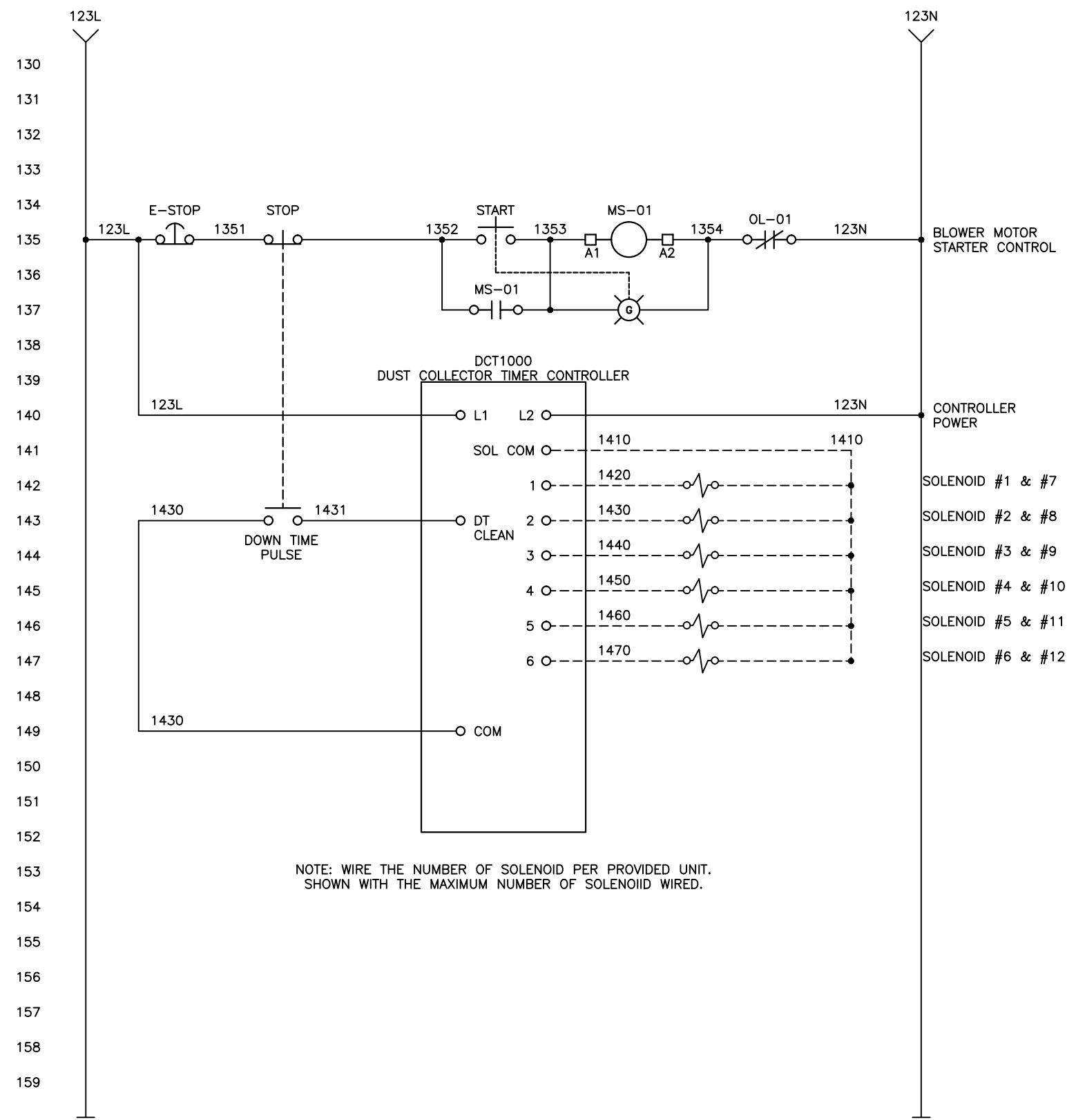
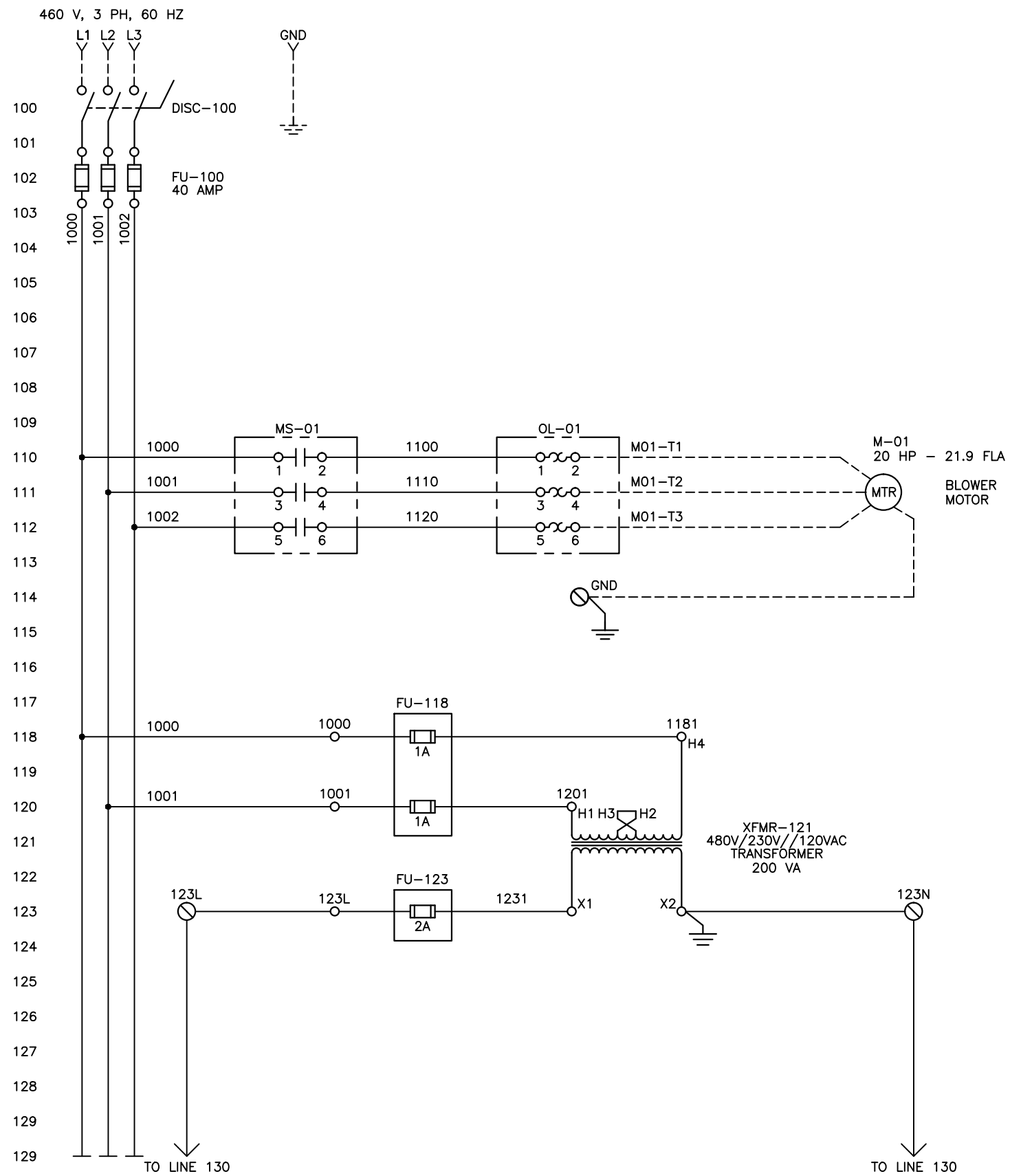
OUTLET SILENCER



NOTES:
1. "CW" ROTATION SHOWN. "CCW" ROTATION SIMILAR BUT OPPOSITE.

DRAWN BY	JX
DATE	7/29/13
CHKD BY	JX
DATE	7/29/13
SHOP NO.	15747-001
SCALE	1:16

REV	ECN	DATE	BY	CHK	DESCRIPTION
-	-	-	-	-	-
 95 Cypress Dr. Youngsville, NC 27597 Phone: 919-570-2862 www.avanienvironmental.com					
TITLE TCF 20 TCBI FAN W/ ACCESSORIES					
DRAWING NO. BC 500053				SHEET 1 OF 1	ITEM -
				REV. -	



NOTE: WIRE THE NUMBER OF SOLENOID PER PROVIDED UNIT. SHOWN WITH THE MAXIMUM NUMBER OF SOLENOID WIRED.

THIS DRAWING IS CONFIDENTIAL PROPERTY OF ENGINEERING FIRM. DO NOT DUPLICATE IN ANY TYPE WITHOUT PROPER WRITTEN PERMISSION. IF YOU ARE NOT THE INTENDED CLIENT PLEASE DESTROY THIS DOCUMENT.			DUST COLLECTOR BLOWER PACKAGE 480VAC, 3 PHASE - 20 HP WITH DUST COLLECTOR TIMER CONTROLLER		
REV.	DESCRIPTION	DATE	FILE PATH: C:/Clients/	CLIENT	PLOT DATE: 01/01/04
1	CREATED	7/28/08		AVANI ENVIRONMENTAL	
			DRAWN BY: ECS	DRAWING SCALE: NONE	DRAWING NUMBER: 20 HP 100
			CHECKED BY: ECS	PROJECT NUMBER	
			DATE: 7/28/08		