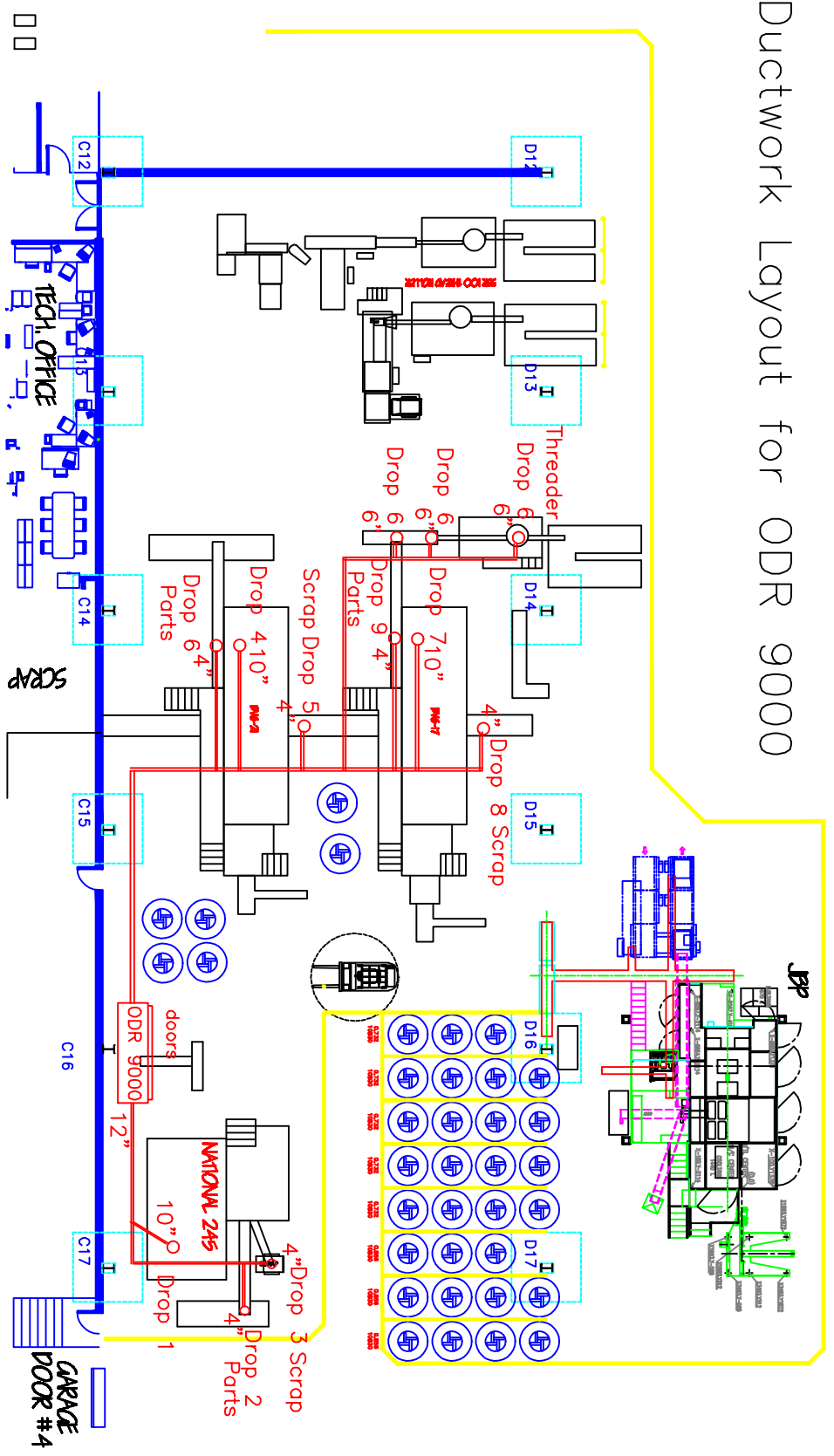


Ductwork Layout for ODR 9000



Industrial Air Quality
 102 AC DRIVE
 Youngsville, NC 27596
 P# 919-582-7181 F# 919-582-7182

Project: Unyite Drive
 Drawing: Ductwork layout
 Date: 9/11/09 Drawn by: RAV

Sheet No:

