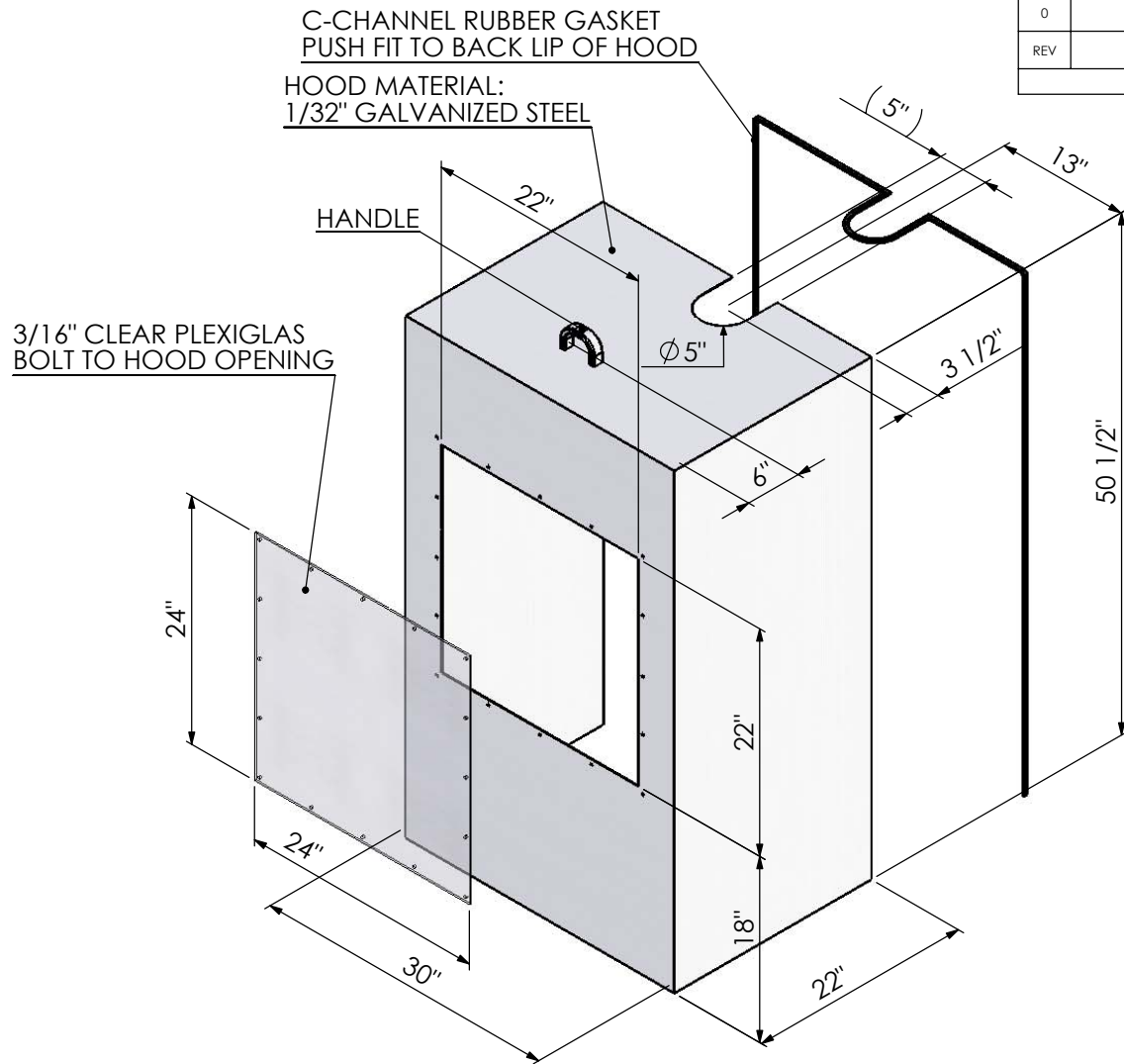

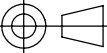


1			
0	CREATED	AHL	06-09-10
REV	DESCRIPTION	INIT.	DATE
REVISIONS			



 UNYTITE INC. One Unytite Drive Peru, IL. 61354 (USA) INNOVATIVE FASTENING SYSTEMS		COMPANY NAME:		UNYTITE, INC.			
		DRAWING NAME:		SCRAP CONVEYOR MIST COLLECTING HOOD ASSEMBLY, BV6-17			
DRAWN BY: ANDREW LIANG		NOTE-- THE FOLLOWING DRAWING, INCLUDING APPLICABLE DESIGN IS THE PROPERTY OF UNYTITE, INC. AND SHALL NOT BE REPRODUCED, LOANED, OR COPIED IN SECTIONS OF OR AS IN WHOLE. IT MAY NOT BE USED IN ANY WAY THAT MAY ESTABLISH A LOSS OR EXPENSE DIRECTLY TO UNYTITE, INC. ACCEPTANCE OF THIS DRAWING WILL BE INTERPRETED AS AN AGREEMENT TO THE ABOVE.		MATERIAL SEE DWG		 THIRD-ANGLE PROJECTION	
APPROVED BY: _____ DATE: _____				HEAT TREATMENT NA			
DATE: 06-09-2010	SCALE: FULL	DWG. NO. 100609-SCMCH-BV6-0	WEIGHT:	SHEET 1 OF 1	SIZE A	REVISION 0	UNIT IN