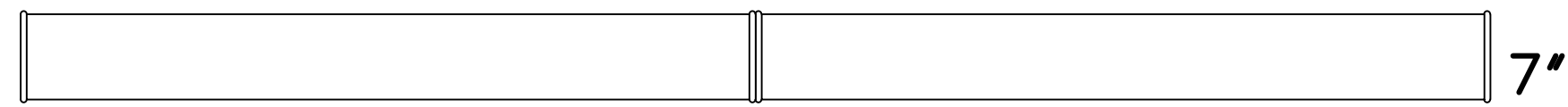
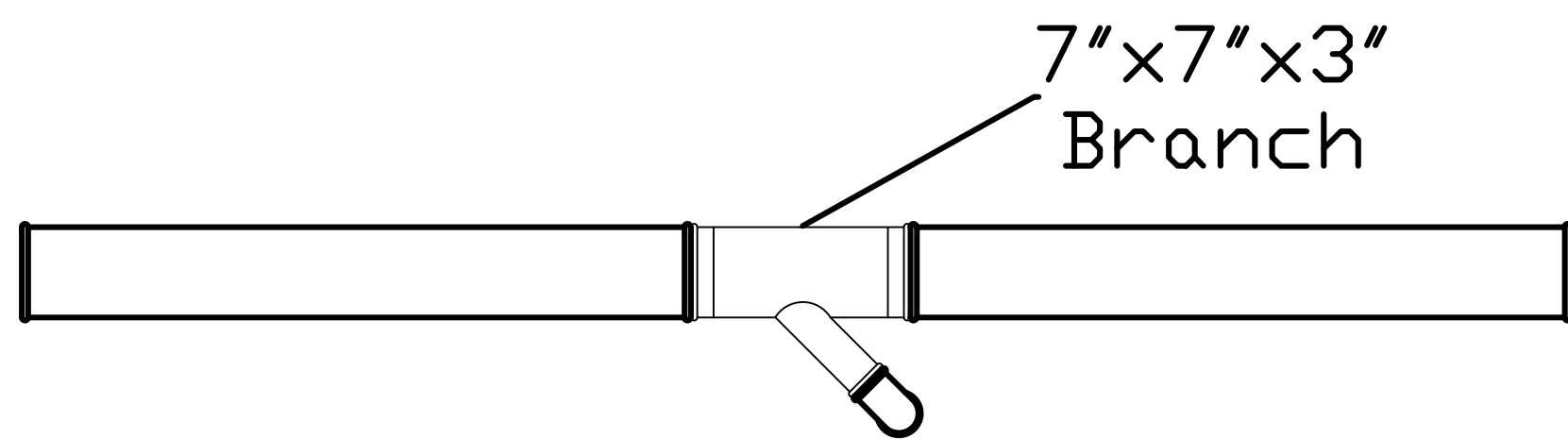


# USCG New Equipment SQ#18947

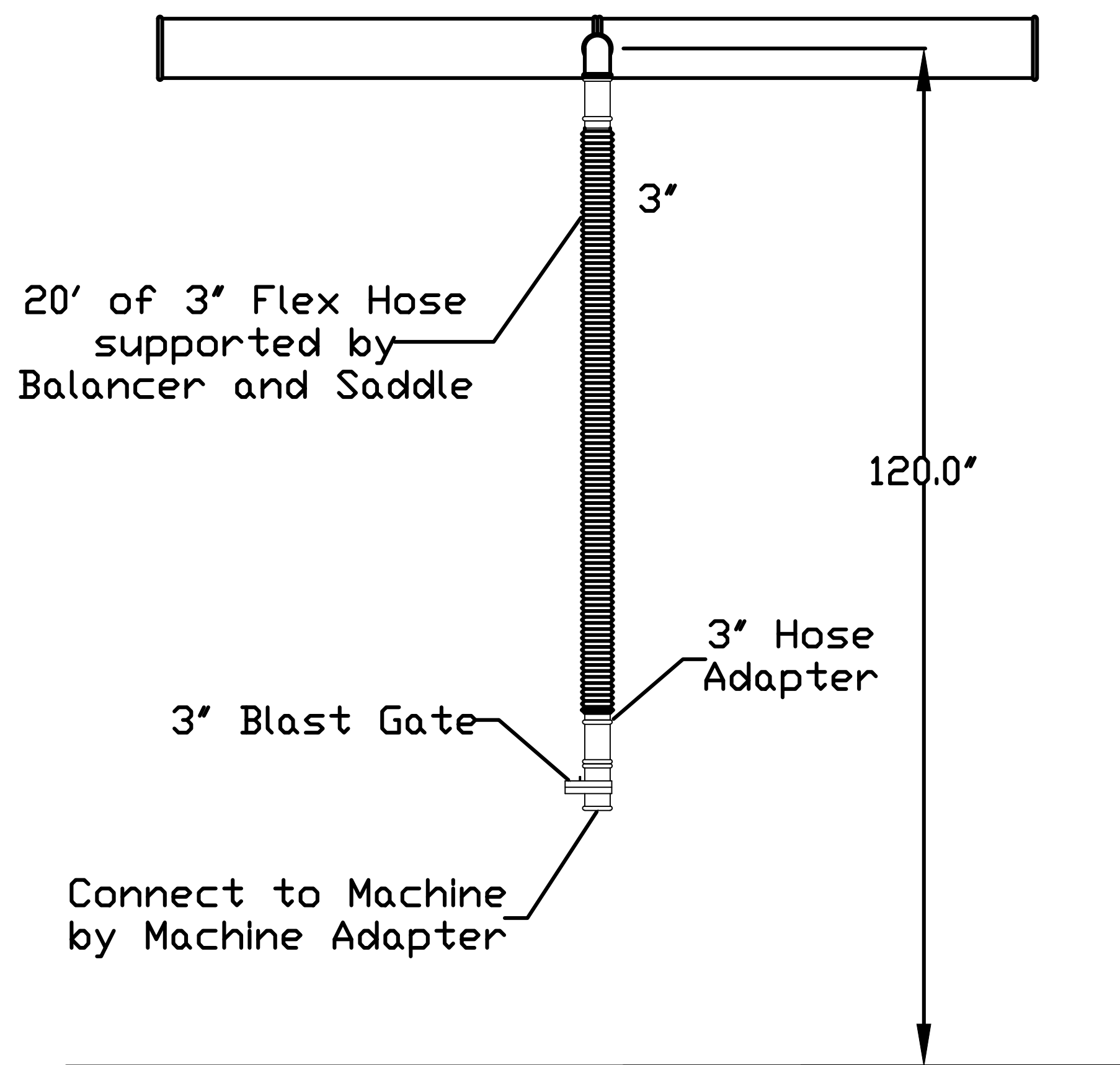
OLD SYSTEM



NEW SYSTEM

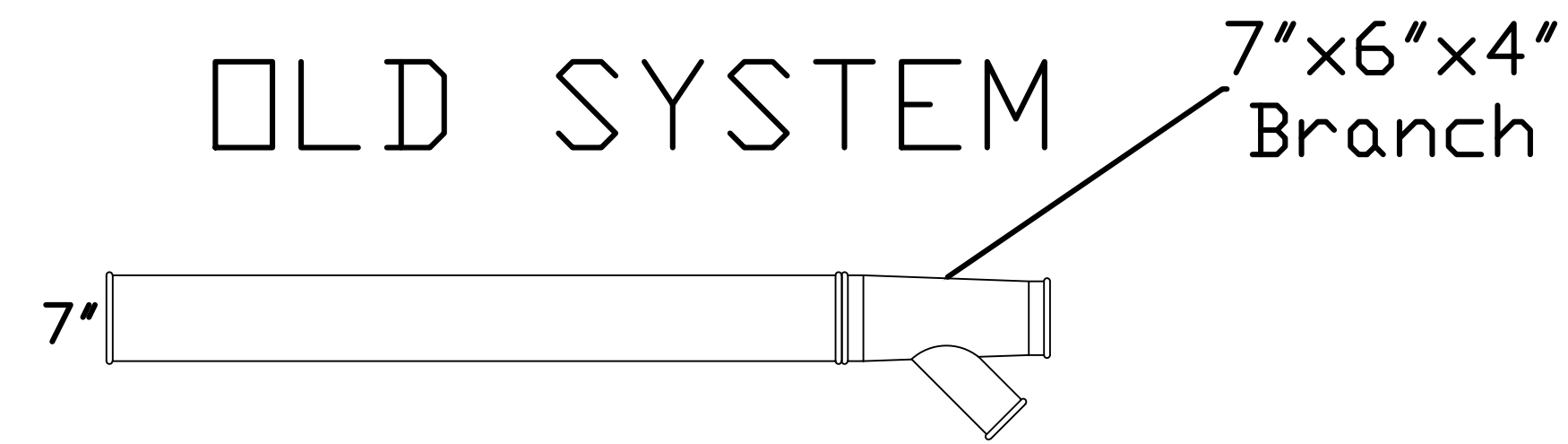


PLAN VIEW

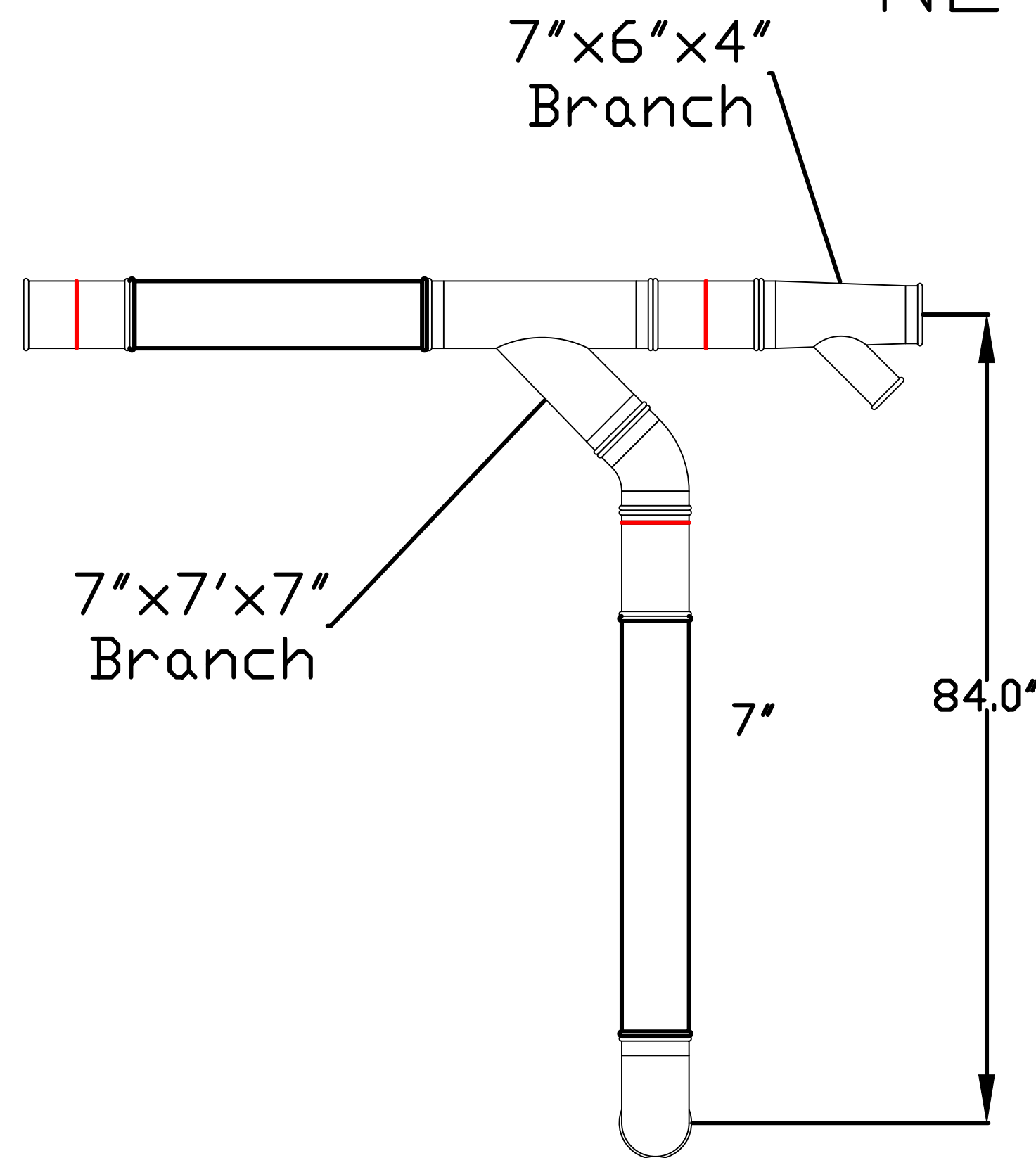


ELEVATION VIEW

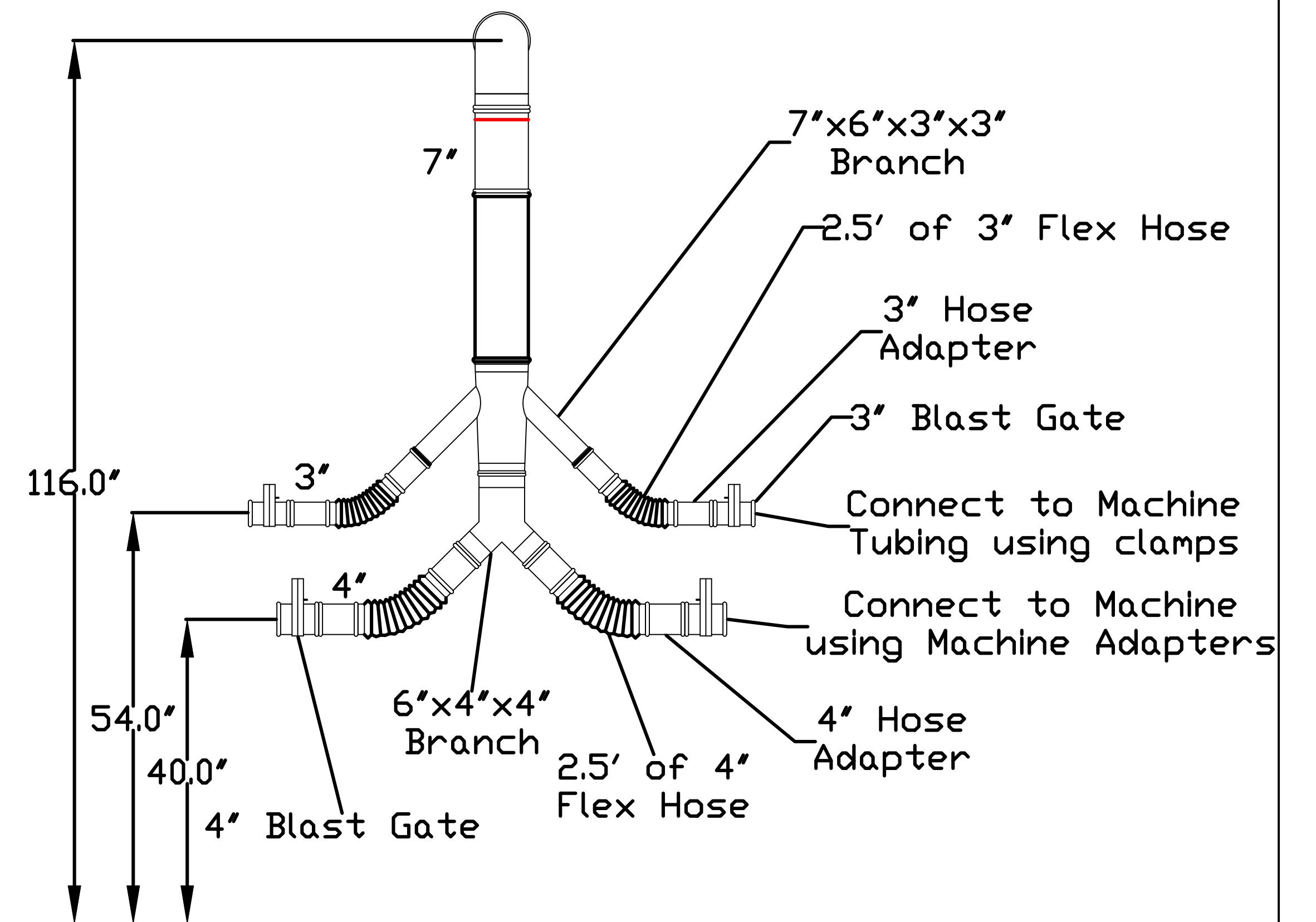
OLD SYSTEM



NEW SYSTEM



PLAN VIEW



ELEVATION VIEW

Notes:

1. All Hose Adapters are connected to hoses by Worm Clamps, not shown in drawing
2. All "old system" duct is already in place. Need to take apart duct and install new drops

Avani Environmental Intl.  
95 Cypress Drive  
Youngsville, NC 27596  
P# 919-570-2862 F# 919-570-2863

**Avani**

Project: USCG New Equipement SQ#18947

Drawing: New Duct Drops

Date: 8/29/12

Drawn by: MDT

Sheet: No 1 of 1

Rev.: 1